



JUNE 2021

CATALOG

DOOR HARDWARE SUPPLEMENT



SIGNATURE FINISHES

SOLID BRASS LEVEL 1

AB Antique Brass
ABB Antique Burnished Brass
ARB Antique Revere Brass
BB Burnished Brass
BZ Oil Rubbed Bronze
KN Kensington
PA Polished Antique
PANL Polished Antique No Lacquer
PB Polished Brass
PBNL Polished Brass No Lacquer
RB Revere Brass
RT Revere Tarnished
SB Satin Brass
SBNL Satin Brass No Lacquer
STN Satin Tarnished
TN Tarnished
WB Weathered Brass
WZ Weathered Bronze

SOLID BRASS LEVEL 2

ABN Antique Burnished Nickel
ARN Antique Revere Nickel
AN Antique Nickel
BN Burnished Nickel
MB Matte Black
PC Polished Chrome
PN Polished Nickel
RN Revere Nickel
SN Satin Nickel
WA Weathered Antique Nickel
WC Weathered Copper
WN Weathered Nickel

SOLID BRASS LEVEL 3

APS Antique Polished Silver
ARS Antique Revere Silver
PS Polished Silver
RS Revere Silver
SS Satin Silver

PRICE ON REQUEST

PG Polished Gold
SG Satin Gold

SOLID BRONZE FINISHES

AI Aged Iron
AS Aged Silver
AZ Aged Bronze
MB Matte Black
NB Natural Bronze
ST Sterling
Custom finishes available upon request.

CONTACT US

Plant Address 2051 Stoneman Circle, Lakewood, NY 14750

Mailing Address P.O. Box 3563, Jamestown, NY 14702-3563

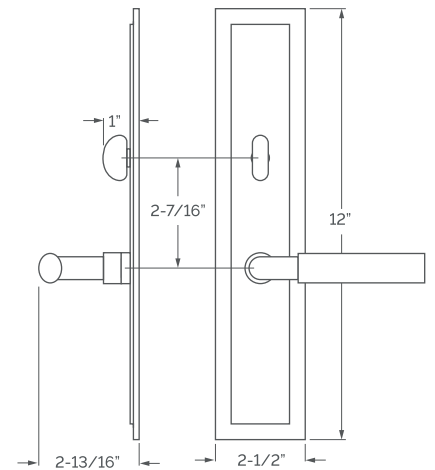
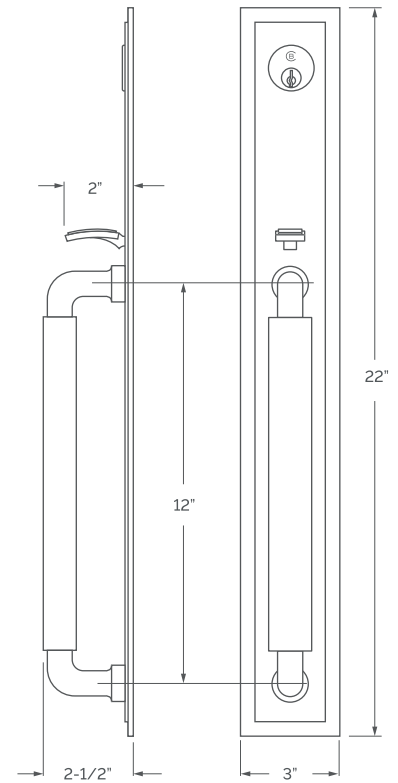
Phone (800) 869.3173 / (716) 763.1400

Fax (800) 215.2019 / (716) 763.1500

Email sales@classic-brass.com

Web classic-brass.com

ENTRANCE HANDLE SETS



APPLICATIONS

17500 Entrance Handle Set - Lever

17502 Entrance Handle Set - T/P x T/P

17505 Entrance Handle Set - Lever - FULL DUMMY

17507 Entrance Handle Set - T/P x T/P - FULL DUMMY

Above sets include 17710 Lever

17501 Entrance Handle Set - Knob

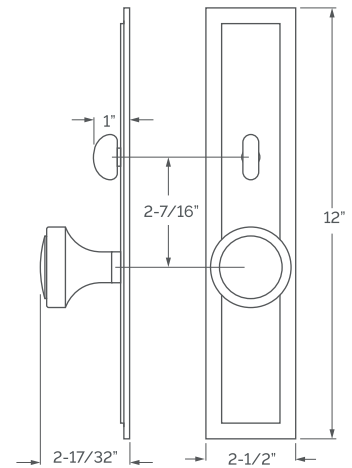
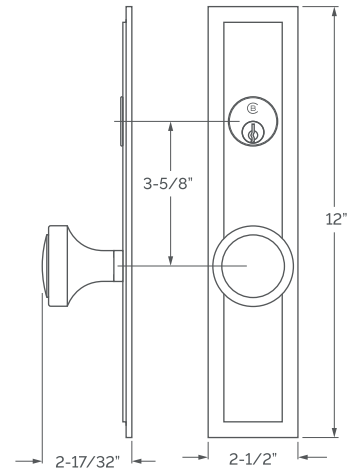
17506 Entrance Handle Set - Knob - FULL DUMMY

Above sets include 17610 Knob

REMEMBER

1. Standard mortise lock is 2-1/2" EE. Specify 2-3/4" if required.
2. All knobs and levers are interchangeable.
3. A door thickness greater than 1-3/4" will require a #9901 thick door kit.
4. Custom escutcheon sizes and drilling available.
5. Concealed undermount attachment is standard on the exterior and interior escutcheons.

ENTRANCE KNOB SETS



APPLICATIONS

17520 Knob Mortise Entrance Set

17521 Knob Mortise Entrance Set - FULL DUMMY

17522 Knob Latch x Auxiliary Deadbolt Set

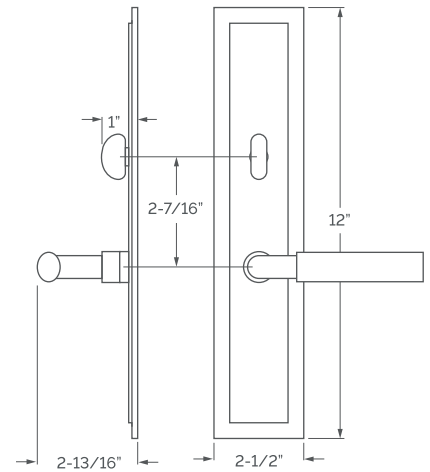
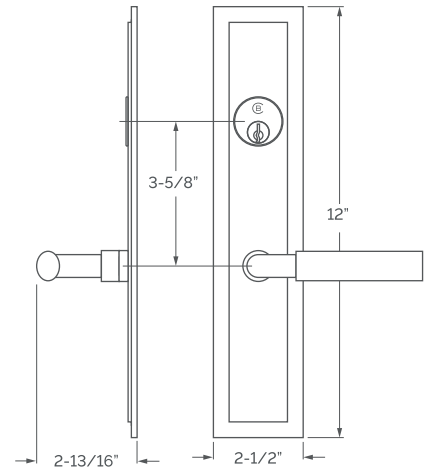
17523 Knob Latch x Auxiliary Deadbolt Set - FULL DUMMY

Above sets include 17610 Knob

REMEMBER

1. Standard mortise lock is 2-1/2" EE. Specify 2-3/4" if required.
2. Standard latch x auxiliary deadbolt: 5-1/2" c-c spacing and 2-3/8" backset. If required, specify 2-3/4" backset.
3. All knobs are interchangeable.
4. A door thickness greater than 1-3/4" will require a #9901 thick door kit for mortise application.
5. Custom escutcheon sizes and drilling available.
6. Concealed undermount attachment is standard on the exterior and interior escutcheons.

ENTRANCE LEVER SETS



APPLICATIONS

17510 Lever Mortise Entrance Set

17511 Lever Mortise Entrance Set - FULL DUMMY

17512 Lever Latch x Auxiliary Deadbolt Set

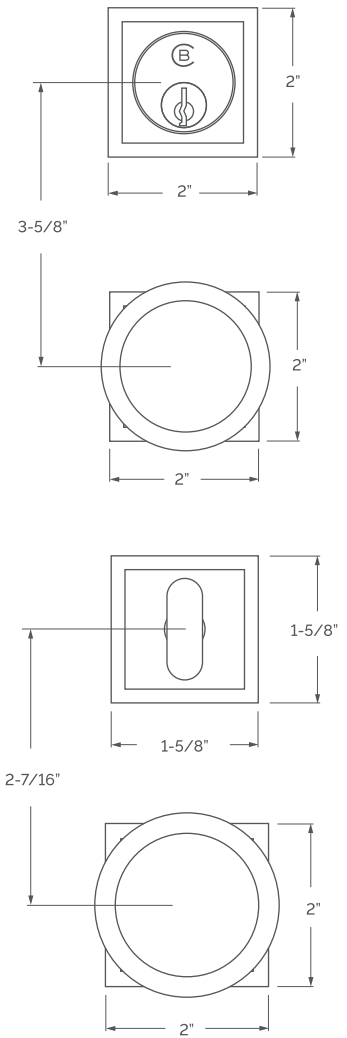
17513 Lever Latch x Auxiliary Deadbolt Set - FULL DUMMY

Above sets include 17710 Lever

REMEMBER

1. Standard mortise lock is 2-1/2" EE. Specify 2-3/4" if required.
2. Standard latch x auxiliary deadbolt: 5-1/2" c-c spacing and 2-3/8" backset. If required, specify 2-3/4" backset.
3. All levers are interchangeable.
4. A door thickness greater than 1-3/4" will require a #9901 thick door kit for mortise application.
5. Custom escutcheon sizes and drilling available.
6. Concealed undermount attachment is standard on the exterior and interior escutcheons.

ENTRANCE KNOB SETS - SECTIONAL



APPLICATIONS

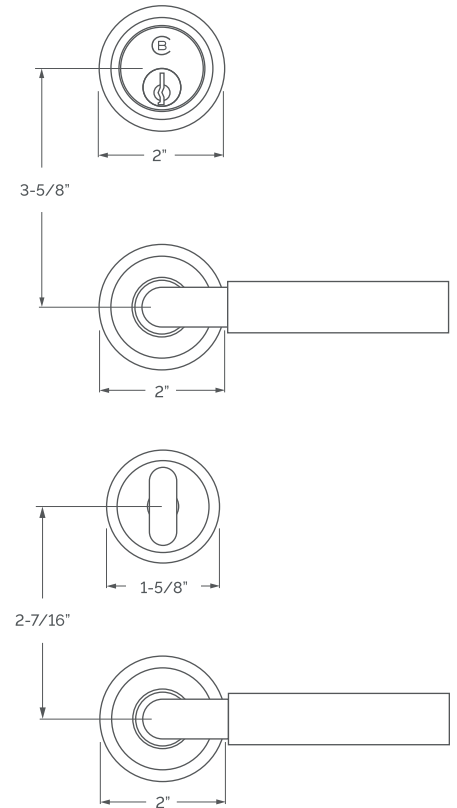
- 17524** Knob Mortise Entrance Sectional Set
- 17525** Knob Latch x Auxiliary Deadbolt Sectional Set
- 17526** Knob Sectional Set - FULL DUMMY

Above sets include 17610 Knob and 17676 Rose

REMEMBER

1. Standard mortise lock is 2-1/2" EE. Specify 2-3/4" if required.
2. Standard latch x auxiliary deadbolt: 5-1/2" c-c spacing and 2-3/8" backset. If required, specify 2-3/4" backset.
3. All knobs are interchangeable.
4. A door thickness greater than 1-3/4" will require a #9901 thick door kit for mortise application.
5. Undermount is standard. Surface mount oval slot head screws available if specified.

ENTRANCE LEVER SETS - SECTIONAL



APPLICATIONS

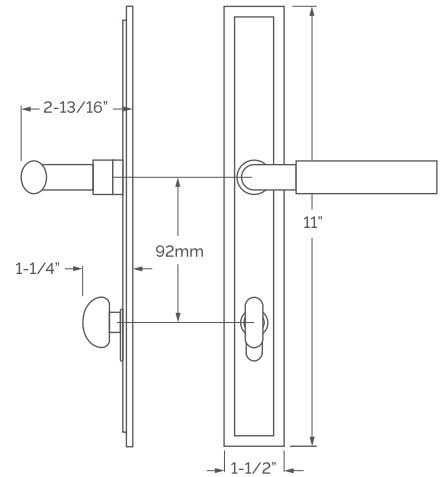
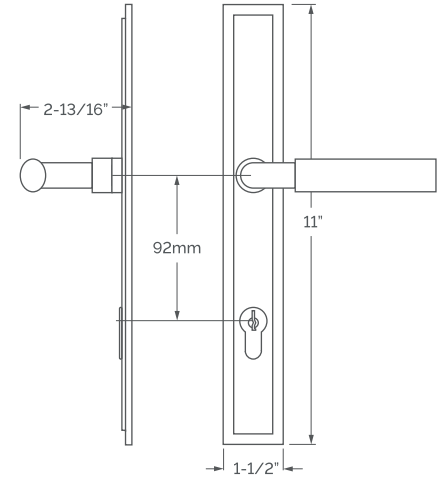
- 17516** Lever Mortise Entrance Sectional Set
- 17518** Lever Latch x Auxiliary Deadbolt Sectional Set
- 17519** Lever Sectional Set - FULL DUMMY

Above sets include 17710 Lever and 17678 Rose

REMEMBER

1. Standard mortise lock is 2-1/2" EE. Specify 2-3/4" if required.
2. Standard latch x auxiliary deadbolt: 5-1/2" c-c spacing and 2-3/8" backset. If required, specify 2-3/4" backset.
3. All levers are interchangeable.
4. A door thickness greater than 1-3/4" will require a #9901 thick door kit for mortise application.
5. Undermount is standard. Surface mount oval slot head screws available if specified.

MULTI POINT SETS - EURO



1-1/2" x 11" MULTI POINT SETS

- 17550** Lever Euro M/P Set - ENTRANCE
- 17551** Lever Euro M/P Set - FULL DUMMY
- 17552** Lever Euro M/P Set - ACTIVE DUMMY
- 17553** Lever Euro M/P Set - PATIO

Above sets include 17710 Lever

2" x 11" MULTI POINT SETS

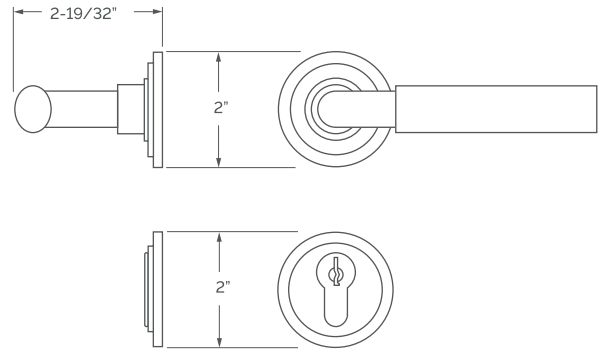
- 17556** Lever Euro M/P Set - ENTRANCE
- 17557** Lever Euro M/P Set - FULL DUMMY
- 17558** Lever Euro M/P Set - ACTIVE DUMMY
- 17559** Lever Euro M/P Set - PATIO

Above sets include 17710 Lever

REMEMBER

1. Complete our M/P Check Sheet (Form 500).
2. Standard euro profile application is LEVER HIGH – 92mm (hub-cylinder spacing).
3. All levers are interchangeable.
4. Door thickness greater than 1-3/4" will require longer euro cylinders and/or offset cylinders. 62mm KxT/P (31mm x 31mm) and 31mm Half Cylinder is standard for 1-3/4" doors.
5. Cylinders INCLUDED with all applications (collection turnpiece attached).
6. Strike not included.
7. Custom escutcheon sizes and drilling available.
8. Euro offset cylinders and custom lengths available upon request.

MULTI POINT SETS - EURO SECTIONAL



APPLICATIONS

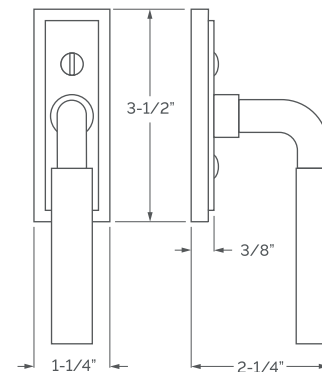
- 17560** Lever Euro M/P Sectional Set - ENTRANCE
17561 Lever Euro M/P Sectional Set - FULL DUMMY
17562 Lever Euro M/P Sectional Set - ACTIVE DUMMY
17563 Lever Euro M/P Sectional Set - PATIO

Above sets include 17710 Lever

REMEMBER

1. VERIFY door prep will be fully covered by sectional trim.
2. Standard euro profile application is LEVER HIGH – 92mm (hub-cylinder spacing).
3. Door thickness greater than 1-3/4" will require longer euro cylinders and/or offset cylinders. 62mm KxT/P (31mm x 31mm) and 31mm Half Cylinder is standard for 1-3/4" doors.
4. Cylinders INCLUDED with all applications (collection turnpiece attached).
5. Custom rose and cylinder collar sizes available.
6. Strike not included.
7. Euro offset cylinders and custom lengths available upon request.

MULTI POINT WINDOW OPERATOR



APPLICATIONS

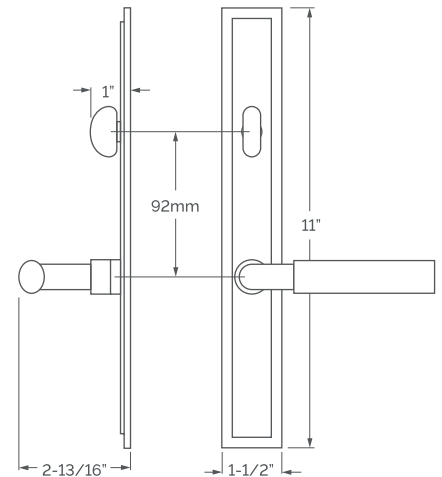
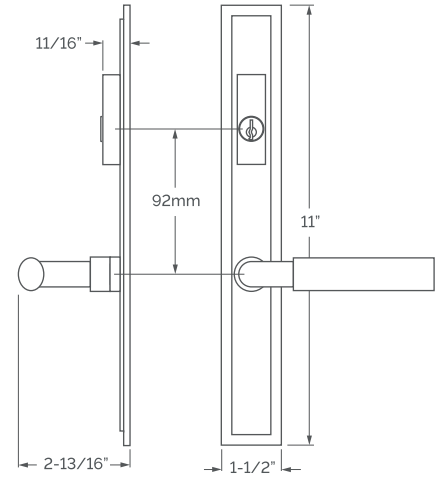
- 17565** M/P Window Trim Set

Above sets include 17711 Lever

REMEMBER

1. 7mm spindle is standard...must supply required projection from underside of escutcheon.
2. 43mm screw center to center – M5 oval slot head screws are standard.
3. Escutcheon width is a critical dimension, please verify.
4. Includes detent mechanism.

MULTI POINT SETS - AMERICAN



1-1/2" x 11" MULTI POINT SETS

- 17570** Lever Amer M/P Set - ENTRANCE
- 17571** Lever Amer M/P Set - FULL DUMMY
- 17572** Lever Amer M/P Set - ACTIVE DUMMY
- 17573** Lever Amer M/P Set - PATIO

Above sets include 17710 Lever

2" x 11" MULTI POINT SETS

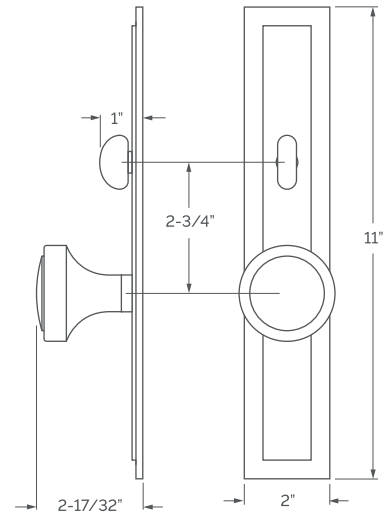
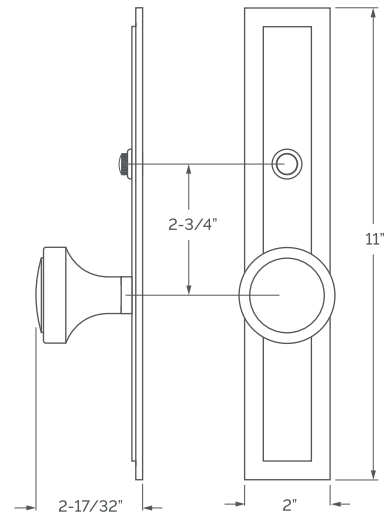
- 17576** Lever Amer M/P Set - ENTRANCE
- 17577** Lever Amer M/P Set - FULL DUMMY
- 17578** Lever Amer M/P Set - ACTIVE DUMMY
- 17579** Lever Amer M/P Set - PATIO

Above sets include 17710 Lever

REMEMBER

1. Complete our M/P Check Sheet (Form 500).
2. Standard M/P American cylinder applications: LEVER LOW- 92mm spacing.
3. Specify LEVER HIGH or custom c-c spacing if required.
4. All levers are interchangeable.
5. American cylinder included with Entrance function only.
6. Strike not included.
7. Custom escutcheon sizes and drilling available.

INTERIOR ESCUTCHEON SETS - KNOB



APPLICATIONS

- 17534** Knob Escutcheon Set - PASSAGE
- 17535** Knob Escutcheon Set - LATCH x M/B
- 17536** Knob Escutcheon Set - FULL DUMMY
- 17537** Knob Escutcheon Set - HALF DUMMY

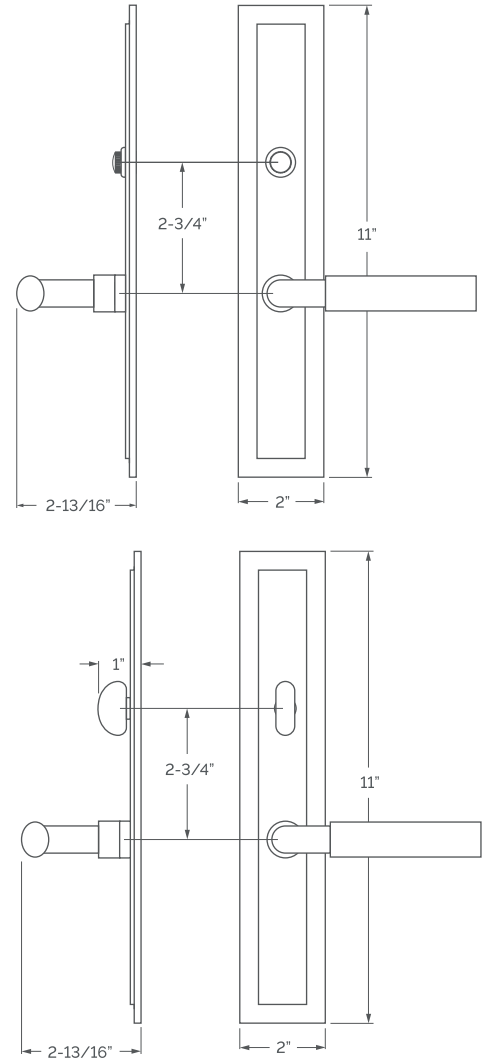
- 17538** Knob Escutcheon Mortise Set - PASSAGE
- 17539** Knob Escutcheon Mortise Set - PRIVACY

Above sets include 17610 Knob

REMEMBER

1. Specify interior mortise lock for quality installations.
2. All knobs and levers are interchangeable.
3. FULL LIP strikes are standard. Specify SUB "T" strike, if required.
4. Standard backset is 2-3/8" for tubular. If required, specify 2-3/4".
Standard backset is 2-1/2" for mortise. If required, specify 2-3/4".
5. A door thickness greater than 1-3/4" will require a #9900 thick door kit for mortise application.

INTERIOR ESCUTCHEON SETS - LEVER



APPLICATIONS

- 17527** Lever Escutcheon Set - PASSAGE
- 17528** Lever Escutcheon Set - LATCH x M/B
- 17529** Lever Escutcheon Set - FULL DUMMY
- 17530** Lever Escutcheon Set - HALF DUMMY

- 17531** Lever Escutcheon Mortise Set - PASSAGE
- 17532** Lever Escutcheon Mortise Set - PRIVACY

Above sets include 17710 Lever

REMEMBER

6. Custom escutcheon sizes and drilling available.
7. Combination strike and faceplate available for latch x mortise bolt function.
8. Concealed undermount attachment is standard on the exterior and interior escutcheons.

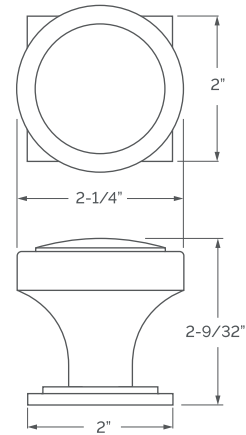
INTERIOR KNOB SETS



2" ROSE SETS

- 17612** Knob Set - PASSAGE
- 17613** Knob Set - PRIVACY
- 17614** Knob Set - SECTIONAL PRIVACY
- 17615** Knob Set - FULL DUMMY
- 17616** Knob Set - HALF DUMMY

- 17617** Knob Mortise Set - PASSAGE
- 17618** Knob Mortise Set - PRIVACY



2-1/2" ROSE SETS

- 17622** Knob Set - PASSAGE
- 17623** Knob Set - PRIVACY
- 17624** Knob Set - SECTIONAL PRIVACY
- 17625** Knob Set - FULL DUMMY
- 17626** Knob Set - HALF DUMMY

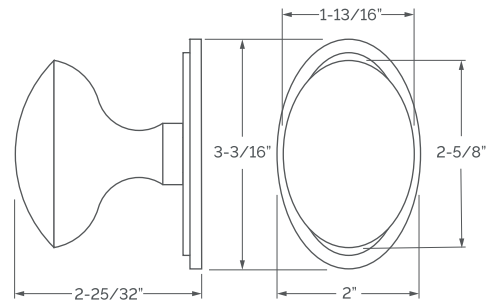
- 17610** Knob Only 2-1/4"
- 17676** Square Rose Only 2"
- 17677** Square Rose Only 2-1/2"



3-3/16" x 2" ROSE SETS

- 17632** Oval Knob Set - PASSAGE
- 17633** Oval Knob Set - PRIVACY
- 17634** Oval Knob Set - SECTIONAL PRIVACY
- 17635** Oval Knob Set - FULL DUMMY
- 17636** Oval Knob Set - HALF DUMMY

- 17637** Oval Knob Mortise Set - PASSAGE
- 17638** Oval Knob Mortise Set - PRIVACY

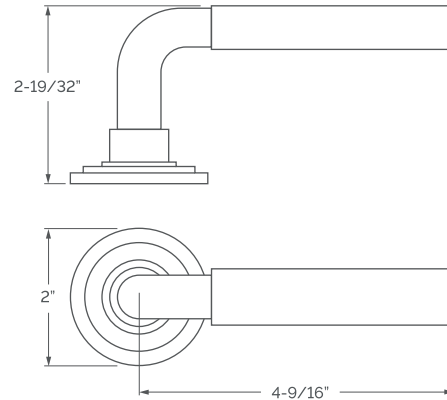


4" x 2-1/2" ROSE SETS

- 17642** Oval Knob Set - PASSAGE
- 17643** Oval Knob Set - PRIVACY
- 17644** Oval Knob Set - SECTIONAL PRIVACY
- 17645** Oval Knob Set - FULL DUMMY
- 17646** Oval Knob Set - HALF DUMMY

- 17630** Oval Knob Only 2-5/8" x 1-13/16"
- 17682** Oval Rose Only 3-3/16" x 2"
- 17684** Oval Rose Only 4" x 2-1/2"

INTERIOR LEVER SETS



2" ROSE SETS

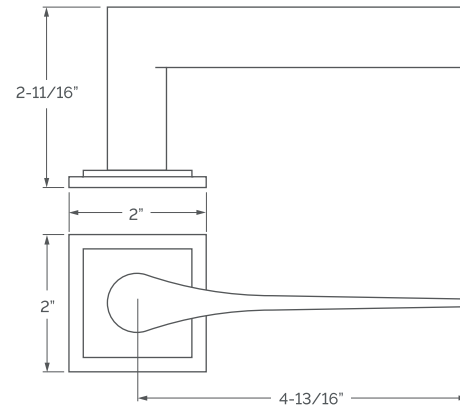
- 17712** Oval Lever Set - PASSAGE
- 17713** Oval Lever Set - PRIVACY
- 17714** Oval Lever Set - SECTIONAL PRIVACY
- 17715** Oval Lever Set - FULL DUMMY
- 17716** Oval Lever Set - HALF DUMMY

- 17717** Oval Lever Mortise Set - PASSAGE
- 17718** Oval Lever Mortise Set - PRIVACY

2-1/2" ROSE SETS

- 17722** Oval Lever Set - PASSAGE
- 17723** Oval Lever Set - PRIVACY
- 17724** Oval Lever Set - SECTIONAL PRIVACY
- 17725** Oval Lever Set - FULL DUMMY
- 17726** Oval Lever Set - HALF DUMMY

- 17710** Oval Lever Only 4-9/16"
- 17678** Rose Only 2"
- 17679** Rose Only 2-1/2"



2" ROSE SETS

- 17732** Lever Set - PASSAGE
- 17733** Lever Set - PRIVACY
- 17734** Lever Set - SECTIONAL PRIVACY
- 17735** Lever Set - FULL DUMMY
- 17736** Lever Set - HALF DUMMY

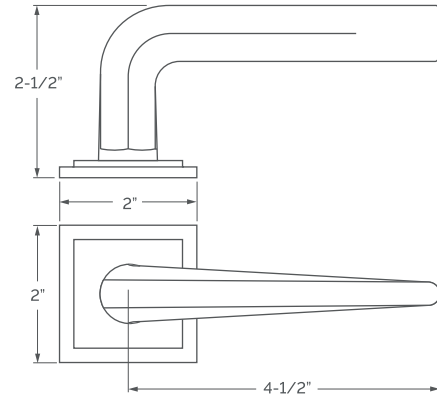
- 17737** Lever Mortise Set - PASSAGE
- 17738** Lever Mortise Set - PRIVACY

2-1/2" ROSE SETS

- 17742** Lever Set - PASSAGE
- 17743** Lever Set - PRIVACY
- 17744** Lever Set - SECTIONAL PRIVACY
- 17745** Lever Set - FULL DUMMY
- 17746** Lever Set - HALF DUMMY

- 17730** Lever Only 4-13/16"
- 17676** Square Rose Only 2"
- 17677** Square Rose Only 2-1/2"

INTERIOR LEVER SETS



2" ROSE SETS

- 17752** Lever Set - PASSAGE
- 17753** Lever Set - PRIVACY
- 17754** Lever Set - SECTIONAL PRIVACY
- 17755** Lever Set - FULL DUMMY
- 17756** Lever Set - HALF DUMMY

- 17757** Lever Mortise Set - PASSAGE
- 17758** Lever Mortise Set - PRIVACY

2-1/2" ROSE SETS

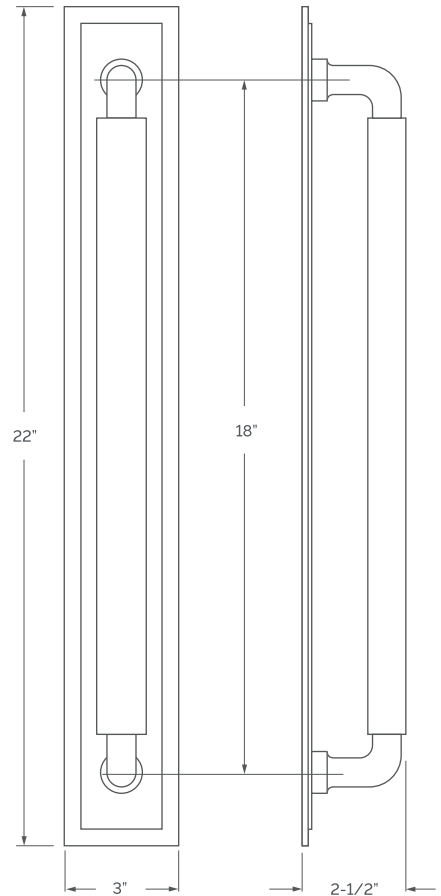
- 17762** Lever Set - PASSAGE
- 17763** Lever Set - PRIVACY
- 17764** Lever Set - SECTIONAL PRIVACY
- 17765** Lever Set - FULL DUMMY
- 17766** Lever Set - HALF DUMMY

- 17750** Lever Only 4-1/2"
- 17676** Square Rose Only 2"
- 17677** Square Rose Only 2-1/2"

REMEMBER

1. Specify pre-drilled adapter (#9749) for 2-1/8" pre-drilled doors, which requires the large rose.
2. Specify interior mortise lock for quality installations.
3. All knobs and levers are interchangeable.
4. FULL LIP strikes are standard. Specify SUB "T" strike, if required.
5. Standard backset is 2-3/8" for tubular. If required, specify 2-3/4".
Standard backset is 2-1/2" for mortise. If required, specify 2-3/4".
6. A door thickness greater than 1-3/4" will require a #9900 thick door kit for mortise application.
7. Combination strike and faceplate available for sectional tubular privacy function.

PULLS, PUSH PLATES & PULL PLATES



APPLICATIONS

17588 Pull 12" c-c

17589 Pull 18" c-c

17582 Pull w/ Rose (P) 17588 (R) 17676 2"

17583 Pull Plate 3" x 22" (P) 17589

17580 Push Plate 2-1/2" x 12"

17581 Push Plate 3" x 22"

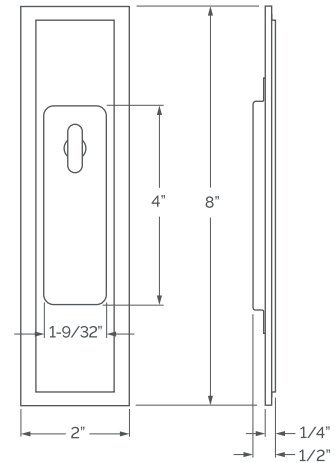
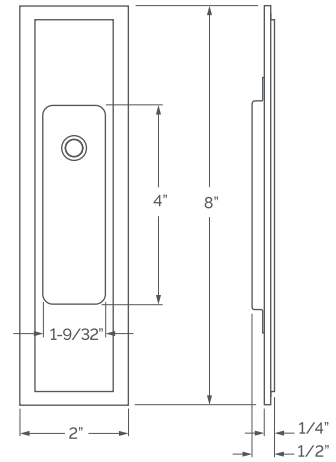
17590 Complete Set of Back-to-Back Pulls 12" c-c

17591 Complete Set of Back-to-Back Pulls 18" c-c

REMEMBER

1. Back-to-back applications available for pulls and pull plates.
Specify #9958 for BTB and #9959 for Single Sided mounting.
2. Custom escutcheon sizes and drilling available.

FLUSH PULLS



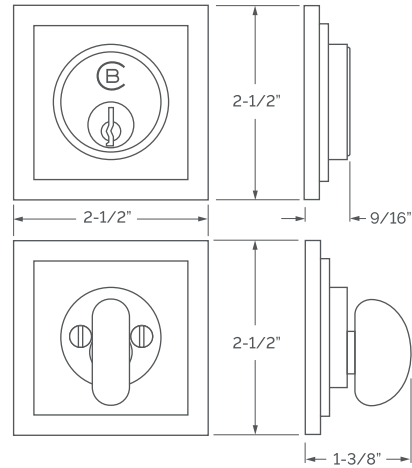
APPLICATIONS

- 17690** Flush Pull Only
- 17691** Flush Pull Set - PASSAGE w/ 9730
- 17692** Flush Pull Set - PASSAGE w/ Accurate 2000
- 17693** Flush Pull Set - PRIVACY w/ Accurate 2002
- 17694** Flush Pull Set - ENTRANCE w/ Accurate 2002

REMEMBER

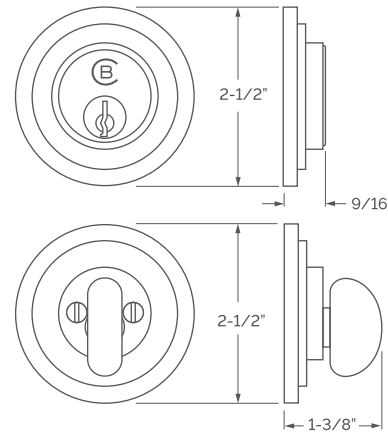
1. Standard backset is 2-1/2" for mortise. If required, specify 2-3/4" backset.
2. Verify jamb clearance for escutcheon projection.
3. Edge pulls available - Standard or Mortise.
4. Custom escutcheon sizes and drilling available.
5. Concealed undermount attachment is standard on the exterior and interior escutcheons.

AUXILIARY DEADBOLTS



APPLICATIONS

- 17650** Square Auxiliary Deadbolt Set (KEY x TP) 2"
17651 Square Auxiliary Deadbolt Set (KEY x KEY) 2"
17652 Square Auxiliary Deadbolt Set (KEY x TP) 2-1/2"
17653 Square Auxiliary Deadbolt Set (KEY x KEY) 2-1/2"



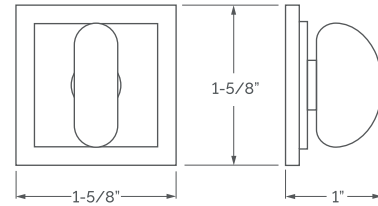
APPLICATIONS

- 17655** Auxiliary Deadbolt Set (KEY x TP) 2"
17656 Auxiliary Deadbolt Set (KEY x KEY) 2"
17657 Auxiliary Deadbolt Set (KEY x TP) 2-1/2"
17658 Auxiliary Deadbolt Set (KEY x KEY) 2-1/2"

REMEMBER

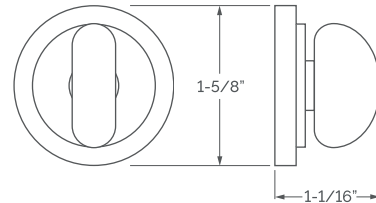
- Should you require key alike, please specify.
- Standard backset is 2-3/8". If required, specify 2-3/4".

MORTISE BOLTS



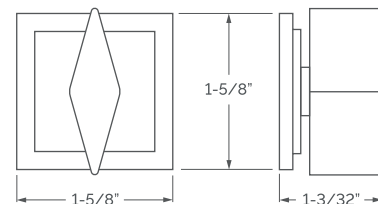
APPLICATIONS

- 17820** Complete Mortise Bolt Set
- 17822** Turnpiece and Plate w/ Mortise Bolt
- 17824** Turnpiece and Plate



APPLICATIONS

- 17830** Complete Mortise Bolt Set
- 17832** Turnpiece and Plate w/ Mortise Bolt
- 17834** Turnpiece and Plate



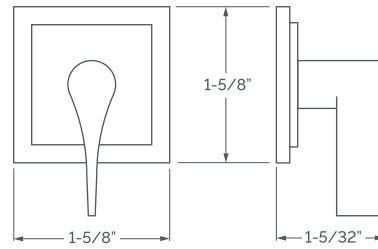
APPLICATIONS

- 17840** Complete Mortise Bolt Set
- 17842** Turnpiece and Plate w/ Mortise Bolt
- 17844** Turnpiece and Plate

REMEMBER

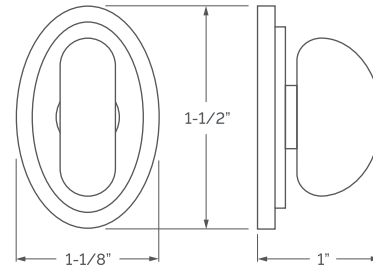
1. Standard backset is 2-3/8". If required specify 2-3/4" backset.

MORTISE BOLTS



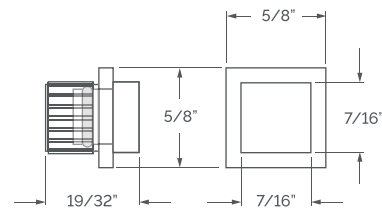
APPLICATIONS

- 17850** Complete Mortise Bolt Set
- 17852** Turnpiece and Plate w/ Mortise Bolt
- 17854** Turnpiece and Plate



APPLICATIONS

- 17860** Complete Oval Mortise Bolt Set
- 17862** Turnpiece and Oval Plate w/ Mortise Bolt
- 17864** Turnpiece and Oval Plate



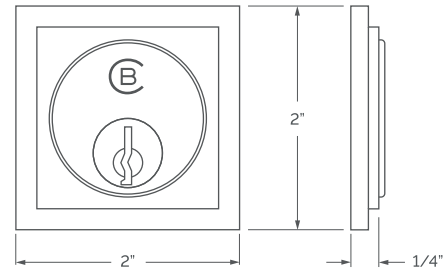
APPLICATIONS

- 17869** Square EE Trim

REMEMBER

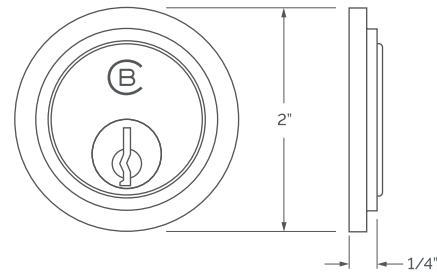
1. Standard backset is 2-3/8". If required specify 2-3/4" backset.

CYLINDER COLLARS



APPLICATIONS

17877 Square Cylinder Collar



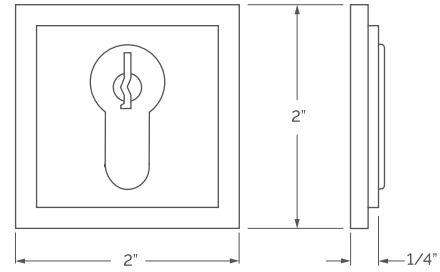
APPLICATIONS

17879 Cylinder Collar

REMEMBER

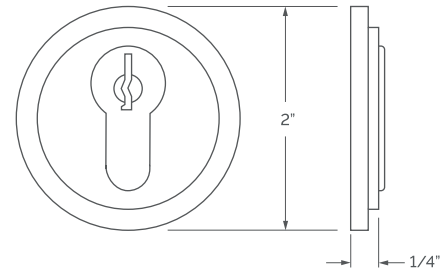
1. Cylinders order separate.

EURO CYLINDER COLLARS



APPLICATIONS

17882 Square Euro Cylinder Collar



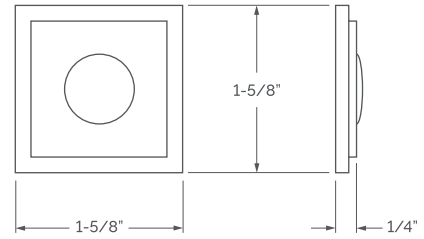
APPLICATIONS

17884 Euro Cylinder Collar

REMEMBER

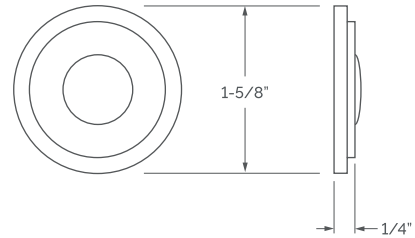
1. Cylinders order separate.

DOORBELL ESCUTCHEON



APPLICATIONS

17892 Square Doorbell Escutcheon



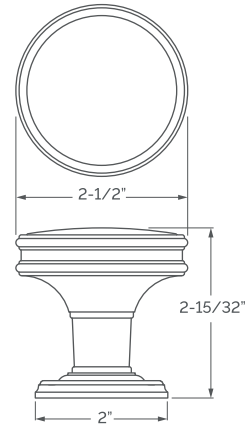
APPLICATIONS

17894 Round Doorbell Escutcheon

REMEMBER

1. Doorbell button NOT included.

INTERIOR KNOB SETS



2" ROSE SETS

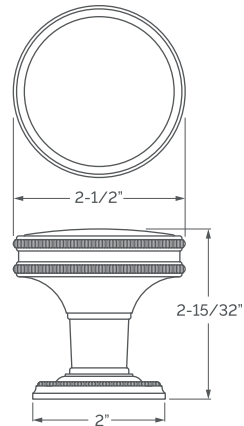
- 14721** Knob Set - PASSAGE
- 14722** Knob Set - PRIVACY
- 14723** Knob Set - SECTIONAL PRIVACY
- 14724** Knob Set - FULL DUMMY
- 14725** Knob Set - HALF DUMMY

- 14728** Knob Mortise Set - PASSAGE
- 14729** Knob Mortise Set - PRIVACY

2-9/16" ROSE SETS

- 14731** Knob Set - PASSAGE
- 14732** Knob Set - PRIVACY
- 14733** Knob Set - SECTIONAL PRIVACY
- 14734** Knob Set - FULL DUMMY
- 14735** Knob Set - HALF DUMMY

- 14720** Knob Only 2-1/2"
- 14080** Rose Only 2"
- 14090** Rose Only 2-9/16"



2" ROSE SETS

- 14741** Double Coin Knob Set - PASSAGE
- 14742** Double Coin Knob Set - PRIVACY
- 14743** Double Coin Knob Set - SECTIONAL PRIVACY
- 14744** Double Coin Knob Set - FULL DUMMY
- 14745** Double Coin Knob Set - HALF DUMMY

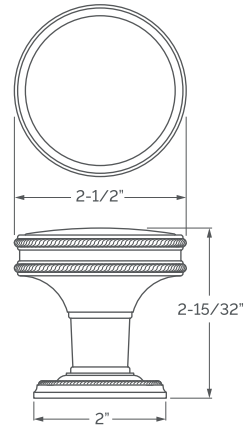
- 14748** Double Coin Knob Mortise Set - PASSAGE
- 14749** Double Coin Knob Mortise Set - PRIVACY

2-9/16" ROSE SETS

- 14751** Double Coin Knob Set - PASSAGE
- 14752** Double Coin Knob Set - PRIVACY
- 14753** Double Coin Knob Set - SECTIONAL PRIVACY
- 14754** Double Coin Knob Set - FULL DUMMY
- 14755** Double Coin Knob Set - HALF DUMMY

- 14740** Double Coin Knob Only 2-1/2"
- 14082** Coin Rose Only 2"
- 14092** Coin Rose Only 2-9/16"

INTERIOR KNOB SETS



2" ROSE SETS

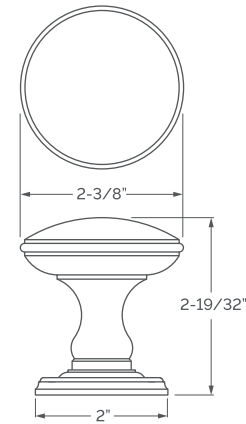
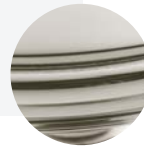
- 14761** Double Rope Knob Set - PASSAGE
- 14762** Double Rope Knob Set - PRIVACY
- 14763** Double Rope Knob Set - SECTIONAL PRIVACY
- 14764** Double Rope Knob Set - FULL DUMMY
- 14765** Double Rope Knob Set - HALF DUMMY

- 14768** Double Rope Knob Mortise Set - PASSAGE
- 14769** Double Rope Knob Mortise Set - PRIVACY

2-9/16" ROSE SETS

- 14771** Double Rope Knob Set - PASSAGE
- 14772** Double Rope Knob Set - PRIVACY
- 14773** Double Rope Knob Set - SECTIONAL PRIVACY
- 14774** Double Rope Knob Set - FULL DUMMY
- 14775** Double Rope Knob Set - HALF DUMMY

- 14760** Double Rope Knob Only 2-1/2"
- 14081** Rope Rose Only 2"
- 14091** Rope Rose Only 2-9/16"



2" ROSE SETS

- 14781** Knob Set - PASSAGE
- 14782** Knob Set - PRIVACY
- 14783** Knob Set - SECTIONAL PRIVACY
- 14784** Knob Set - FULL DUMMY
- 14785** Knob Set - HALF DUMMY

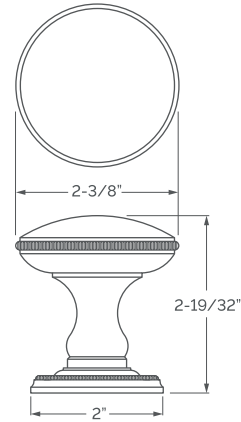
- 14788** Knob Mortise Set - PASSAGE
- 14789** Knob Mortise Set - PRIVACY

2-9/16" ROSE SETS

- 14791** Knob Set - PASSAGE
- 14792** Knob Set - PRIVACY
- 14793** Knob Set - SECTIONAL PRIVACY
- 14794** Knob Set - FULL DUMMY
- 14795** Knob Set - HALF DUMMY

- 14780** Knob Only 2-3/8"
- 14080** Rose Only 2"
- 14090** Rose Only 2-9/16"

INTERIOR KNOB SETS



2" ROSE SETS

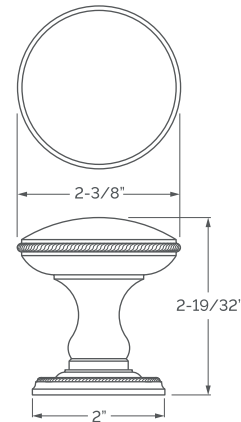
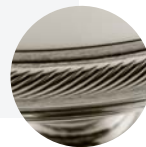
- 15001** Coin Knob Set - PASSAGE
- 15002** Coin Knob Set - PRIVACY
- 15003** Coin Knob Set - SECTIONAL PRIVACY
- 15004** Coin Knob Set - FULL DUMMY
- 15005** Coin Knob Set - HALF DUMMY

- 15008** Coin Knob Mortise Set - PASSAGE
- 15009** Coin Knob Mortise Set - PRIVACY

2-9/16" ROSE SETS

- 15011** Coin Knob Set - PASSAGE
- 15012** Coin Knob Set - PRIVACY
- 15013** Coin Knob Set - SECTIONAL PRIVACY
- 15014** Coin Knob Set - FULL DUMMY
- 15015** Coin Knob Set - HALF DUMMY

- 15000** Coin Knob Only 2-3/8"
- 14082** Coin Rose Only 2"
- 14092** Coin Rose Only 2-9/16"



2" ROSE SETS

- 15021** Rope Knob Set - PASSAGE
- 15022** Rope Knob Set - PRIVACY
- 15023** Rope Knob Set - SECTIONAL PRIVACY
- 15024** Rope Knob Set - FULL DUMMY
- 15025** Rope Knob Set - HALF DUMMY

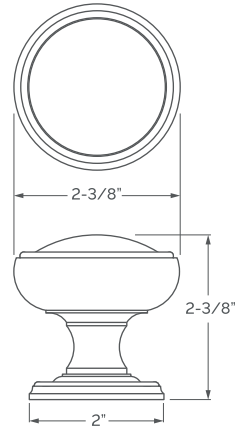
- 15028** Rope Knob Mortise Set - PASSAGE
- 15029** Rope Knob Mortise Set - PRIVACY

2-9/16" ROSE SETS

- 15031** Rope Knob Set - PASSAGE
- 15032** Rope Knob Set - PRIVACY
- 15033** Rope Knob Set - SECTIONAL PRIVACY
- 15034** Rope Knob Set - FULL DUMMY
- 15035** Rope Knob Set - HALF DUMMY

- 15020** Rope Knob Only 2-3/8"
- 14081** Rope Rose Only 2"
- 14091** Rope Rose Only 2-9/16"

INTERIOR KNOB SETS



2" ROSE SETS

- 15041** Knob Set - PASSAGE
- 15042** Knob Set - PRIVACY
- 15043** Knob Set - SECTIONAL PRIVACY
- 15044** Knob Set - FULL DUMMY
- 15045** Knob Set - HALF DUMMY

- 15048** Knob Mortise Set - PASSAGE
- 15049** Knob Mortise Set - PRIVACY

2-9/16" ROSE SETS

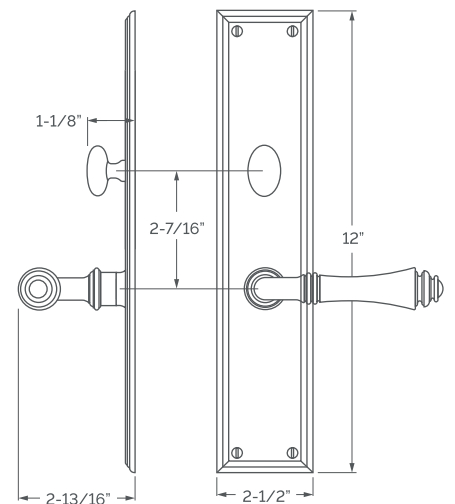
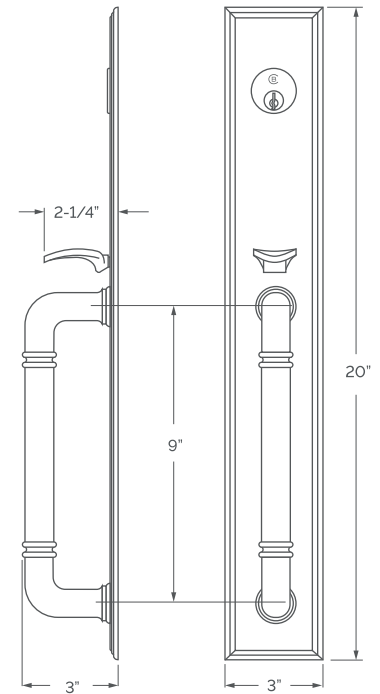
- 15051** Knob Set - PASSAGE
- 15052** Knob Set - PRIVACY
- 15053** Knob Set - SECTIONAL PRIVACY
- 15054** Knob Set - FULL DUMMY
- 15055** Knob Set - HALF DUMMY

- 15040** Knob Only 2-3/8"
- 14080** Rose Only 2"
- 14090** Rose Only 2-9/16"

REMEMBER

1. Specify pre-drilled adapter (#9749) for 2-1/8" pre-drilled doors, which requires the large rose.
2. Specify interior mortise lock for quality installations.
3. All knobs and levers are interchangeable.
4. FULL LIP strikes are standard. Specify SUB "T" strike, if required.
5. Standard backset is 2-3/8" for tubular. If required, specify 2-3/4".
Standard backset is 2-1/2" for mortise. If required, specify 2-3/4".
6. A door thickness greater than 1-3/4" will require a #9900 thick door kit for mortise application.
7. Combination strike and faceplate available for sectional tubular privacy function.

ENTRANCE HANDLE SETS



APPLICATIONS

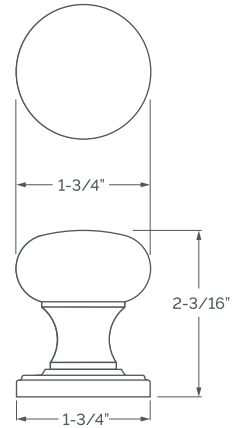
- 7801** Entrance Handle Set - Lever
- 7803** Entrance Handle Set - T/P x T/P
- 7808** Entrance Handle Set - Lever - FULL DUMMY
- 7809** Entrance Handle Set - T/P x T/P - FULL DUMMY

Above sets include 7260 Lever

REMEMBER

1. Standard mortise lock is 2-1/2" EE. Specify 2-3/4" if required.
2. All knobs and levers are interchangeable.
3. A door thickness greater than 1-3/4" will require a #9901 thick door kit.
4. Entrance handle sets are mortise lock only.
5. Custom escutcheon sizes and drilling available.
6. HUTTER OFFSET edge options available.
7. Concealed undermount attachment is standard on exterior escutcheon.
Oval slot head wood screws (4/ea) are standard on interior escutcheon.

INTERIOR KNOB SETS



1-3/4" ROSE SETS

7303 Knob Set - PASSAGE

7311 Knob Set - PRIVACY

7319 Knob Set - FULL DUMMY

7327 Knob Set - HALF DUMMY

7299 Knob Only 1-3/4"

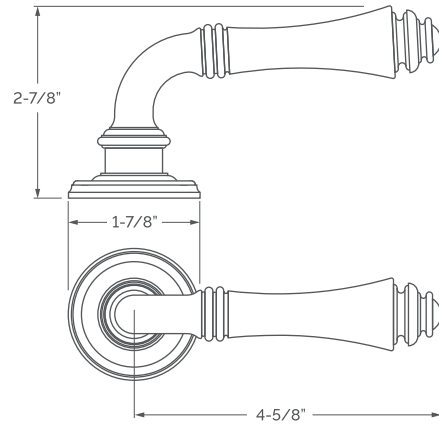
7983 Rose Only 1-3/4"

INTERIOR LEVER SETS



1-7/8" ROSE SETS

- 7262** Lever Set - PASSAGE
- 7263** Lever Set - PRIVACY
- 7265** Lever Set - FULL DUMMY
- 7266** Lever Set - HALF DUMMY



2-9/16" ROSE SETS

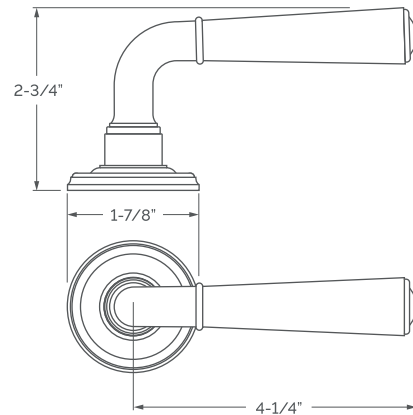
- 7271** Lever Set - PASSAGE
- 7272** Lever Set - PRIVACY
- 7274** Lever Set - FULL DUMMY
- 7275** Lever Set - HALF DUMMY

- 7260** Lever Only 4-5/8"
- 7376** Rose Only 1-7/8"
- 7377** Rose Only 2-9/16"



1-7/8" ROSE SETS

- 7282** Lever Set - PASSAGE
- 7283** Lever Set - PRIVACY
- 7285** Lever Set - FULL DUMMY
- 7286** Lever Set - HALF DUMMY

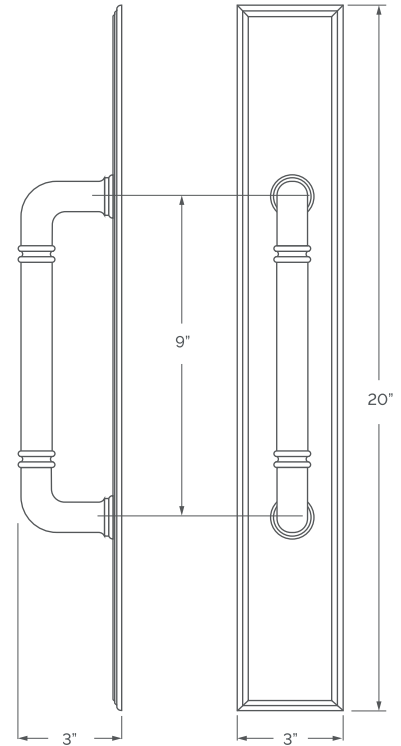


2-9/16" ROSE SETS

- 7291** Lever Set - PASSAGE
- 7292** Lever Set - PRIVACY
- 7294** Lever Set - FULL DUMMY
- 7295** Lever Set - HALF DUMMY

- 7280** Lever Only 4-1/4"
- 7376** Rose Only 1-7/8"
- 7377** Rose Only 2-9/16"

PULLS, PUSH PLATES & PULL PLATES



APPLICATIONS

7888 Pull 9" c-c

7876 Pull Plate 3" x 20" (P) 7888

7877 Complete Set of Back-to-Back Pulls (P) 7888

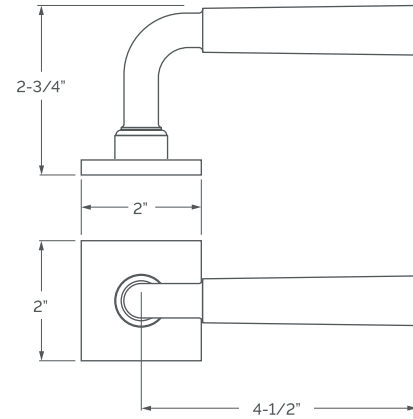
7874 Push Plate 2-1/2" x 12"

7875 Push Plate 3" x 20"

REMEMBER

1. Back-to-back applications available for pulls and pull plates.
Specify #9958 for BTB and #9959 for Single Sided mounting.
2. Custom escutcheon sizes and drilling available.
3. HUTTER OFFSET edge options available.

INTERIOR LEVER SETS



2" ROSE SETS

- 17242** Lever Set - PASSAGE
- 17243** Lever Set - PRIVACY
- 17244** Lever Set - SECTIONAL PRIVACY
- 17245** Lever Set - FULL DUMMY
- 17246** Lever Set - HALF DUMMY

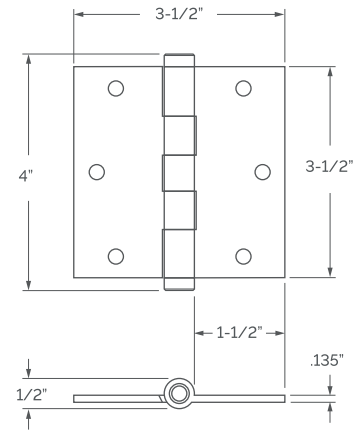
- 17247** Lever Mortise Set - PASSAGE
- 17248** Lever Mortise Set - PRIVACY

2-1/2" ROSE SETS

- 17252** Lever Set - PASSAGE
- 17253** Lever Set - PRIVACY
- 17254** Lever Set - SECTIONAL PRIVACY
- 17255** Lever Set - FULL DUMMY
- 17256** Lever Set - HALF DUMMY

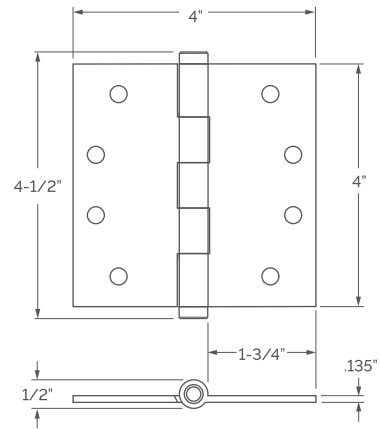
- 17240** Lever Only 4-1/2"
- 17176** Square Rose Only 2"
- 17177** Square Rose Only 2-1/2"

ARCHITECTURAL GRADE HINGES



HINGE - STANDARD 3-1/2" x 3-1/2"

- 16903 Hinge - Hutter Finial
- 16904 Hinge - Shore Finial
- 16905 Hinge - Empire Finial



HINGE - STANDARD 4" x 4"

- 16913 Hinge - Hutter Finial
- 16914 Hinge - Shore Finial
- 16915 Hinge - Empire Finial

HINGE - BALL BEARING 4" x 4"

- 16923 Hinge - Hutter Finial
- 16924 Hinge - Shore Finial
- 16925 Hinge - Empire Finial



Hutter

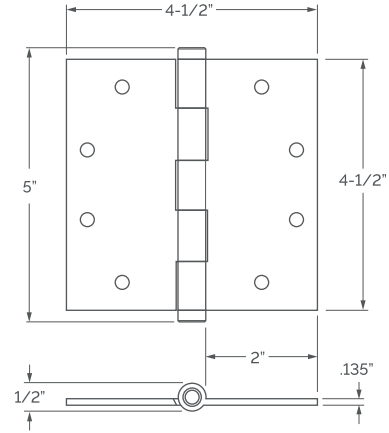


Shore



Empire

ARCHITECTURAL GRADE HINGES

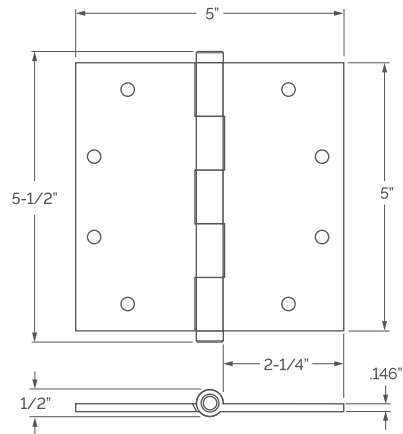


HINGE - STANDARD 4-1/2" x 4-1/2"

- 16813** Hinge - Hutter Finial
- 16814** Hinge - Shore Finial
- 16815** Hinge - Empire Finial

HINGE - BALL BEARING 4-1/2" x 4-1/2"

- 16933** Hinge - Hutter Finial
- 16934** Hinge - Shore Finial
- 16935** Hinge - Empire Finial



HINGE - STANDARD 5" x 5"

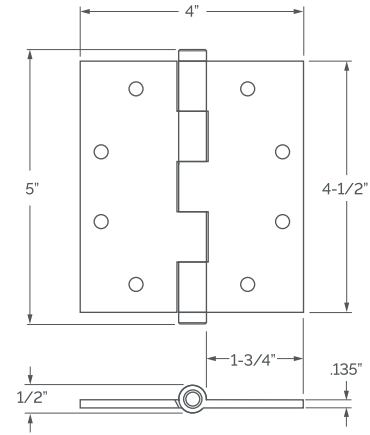
- 16833** Hinge - Hutter Finial
- 16834** Hinge - Shore Finial
- 16835** Hinge - Empire Finial

HINGE - BALL BEARING 5" x 5"

- 16853** Hinge - Hutter Finial
- 16854** Hinge - Shore Finial
- 16855** Hinge - Empire Finial



ARCHITECTURAL GRADE HINGES

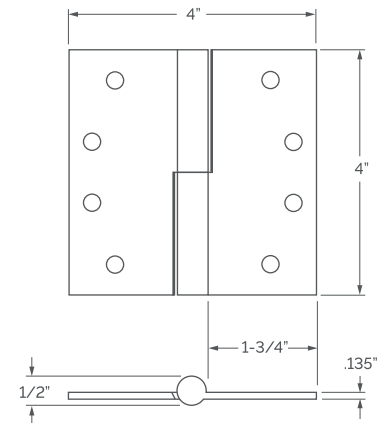


HINGE - STANDARD 4-1/2" x 4"

- 16873** Hinge - Hutter Finial
- 16874** Hinge - Shore Finial
- 16875** Hinge - Empire Finial

HINGE - BALL BEARING 4-1/2" x 4"

- 16893** Hinge - Hutter Finial
- 16894** Hinge - Shore Finial
- 16895** Hinge - Empire Finial



LIFT OFF HINGE

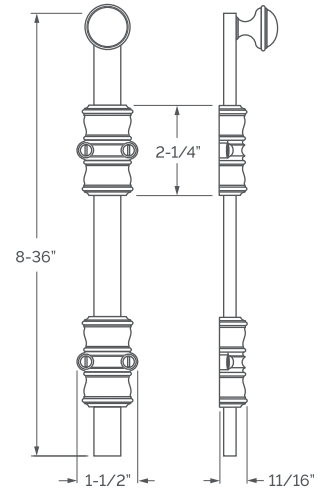
- 16950** Lift Off Hinge - 3-1/2" x 3-1/2" RH/LH
- 16952** Lift Off Hinge - 4" x 4" RH/LH
- 16954** Lift Off Hinge - 4-1/2" x 4-1/2" RH/LH
- 16956** Lift Off Hinge - 5" x 5" RH/LH

REMEMBER

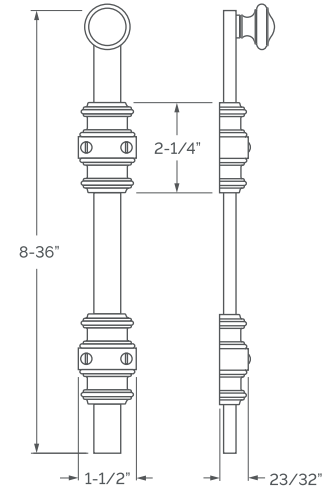
1. NRP Hinges are available. Upcharge will apply.
2. Contact us for your larger or custom size hinges.
3. Architectural hinges can be modified for radius corners.



SURFACE BOLTS



*Shown w/ 1839 knob



*Shown w/ 3010 knob

TRADITIONAL GUIDE

ROUND

- 10350
- 10352
- 10354
- 10356
- 10358
- 10360
- 10362

TRADITIONAL GUIDE

SQUARE

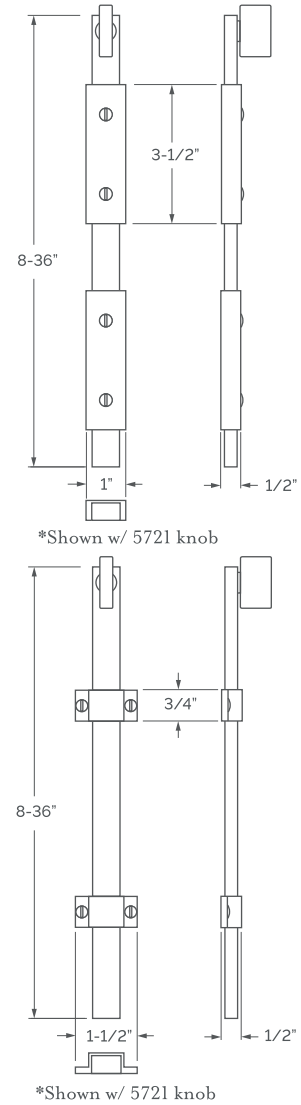
- 10370
- 10372
- 10374
- 10376
- 10378
- 10380
- 10382

- Surface Bolt 8"
- Surface Bolt 12"
- Surface Bolt 16"
- Surface Bolt 18"
- Surface Bolt 24"
- Surface Bolt 30"
- Surface Bolt 36"

REMEMBER

1. If you require a custom size, we can make any length up to 72" or longer.
2. We provide a UNIVERSAL and MORTISE strike with each set, advise if you require an angle strike.
3. Extended lip strikes or custom strikes available, provide details of your requirement.
4. If necessary we can modify the overall length of the guide as required.
5. Custom offset dimensions are available, contact us to discuss your requirements.

SURFACE BOLTS



**MODERN GUIDE
NARROW**

- 10400
- 10402
- 10404
- 10406
- 10408
- 10410
- 10412

**MODERN GUIDE
SHORT**

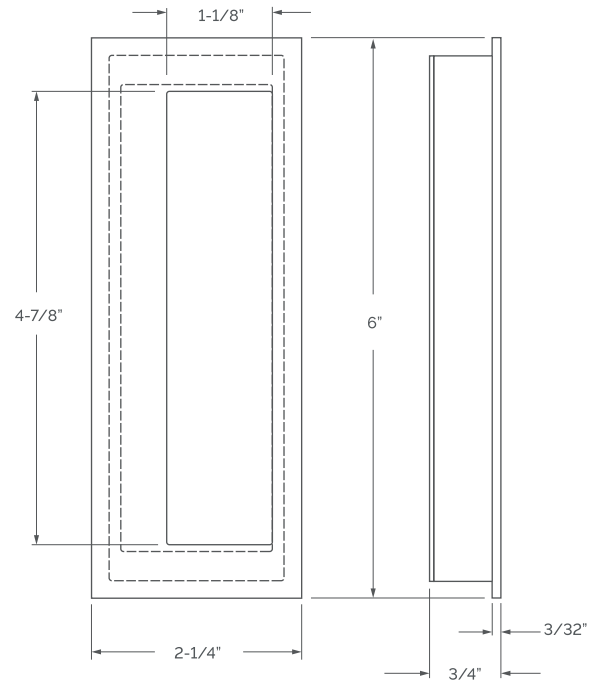
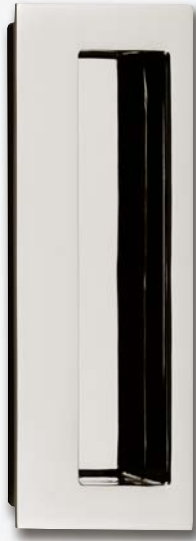
- 10420
- 10422
- 10424
- 10426
- 10428
- 10430
- 10432

- Surface Bolt 8"
- Surface Bolt 12"
- Surface Bolt 16"
- Surface Bolt 18"
- Surface Bolt 24"
- Surface Bolt 30"
- Surface Bolt 36"

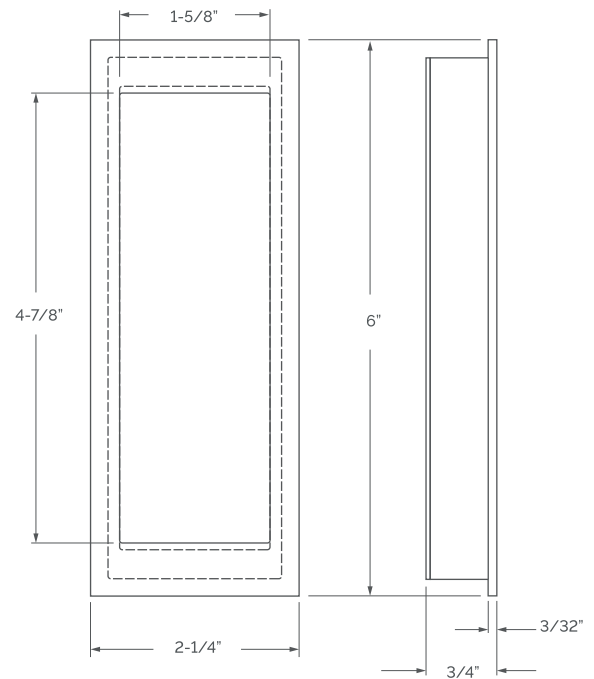
REMEMBER

1. If you require a custom size, we can make any length up to 72" or longer.
2. We provide a UNIVERSAL and MORTISE strike with each set, advise if you require an angle strike.
3. Extended lip strikes or custom strikes available, provide details of your requirement.
4. If necessary we can modify the overall length of the guide as required.
5. Custom offset dimensions are available, contact us to discuss your requirements.

FLUSH PULLS



18500 Offset Flush Pull - PASSAGE

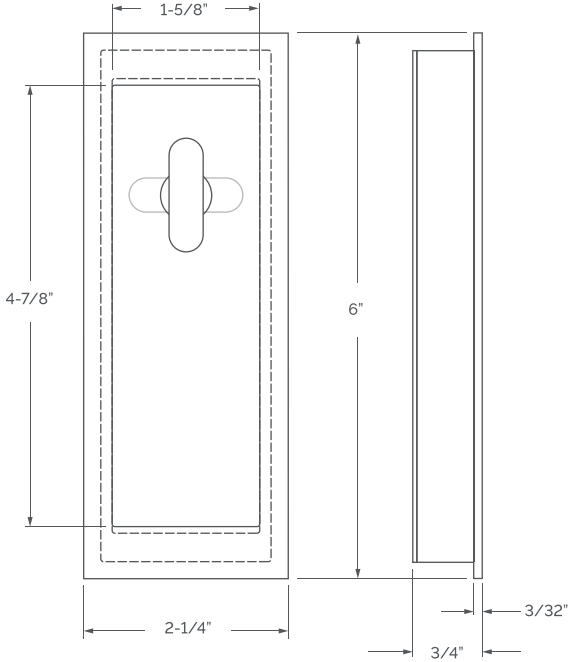


18502 Flush Pull - PASSAGE

18510 Flush Pull Set - PASSAGE W/ 9730

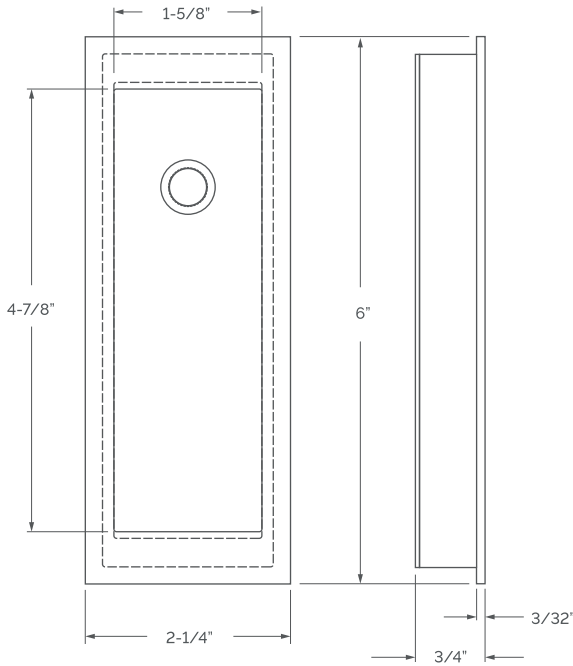
18512 Flush Pull Set - PASSAGE W/ 2000

FLUSH PULLS



18504 Flush Pull - PRIVACY W/ TURNPIECE

18514 Flush Pull Set - PRIVACY W/ 2002

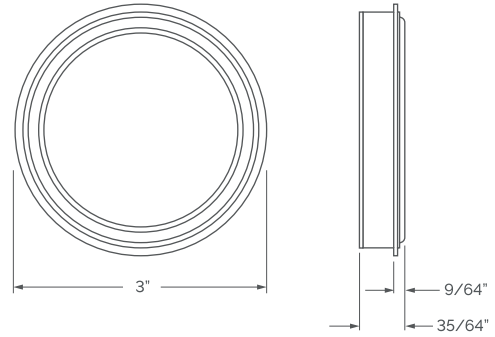


18506 Flush Pull - PRIVACY W/ EE

FLUSH PULLS



18520 Flush Pull - PASSAGE

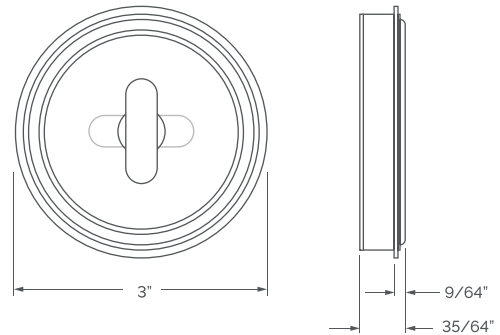


18530 Flush Pull Set - PASSAGE W/ 9730

18532 Flush Pull Set - PASSAGE W/ 2002

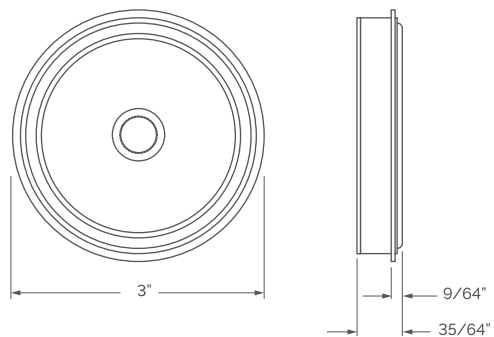


18522 Flush Pull - PRIVACY W/ TURNPIECE

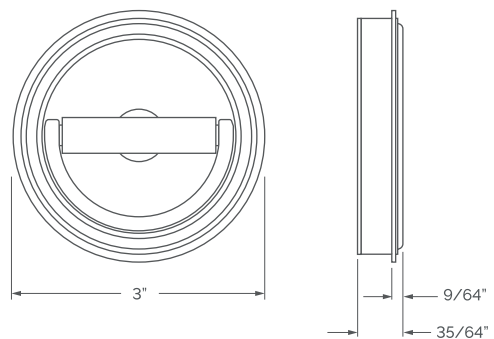


18534 Flush Pull Set - PRIVACY W/ 2002

FLUSH PULLS

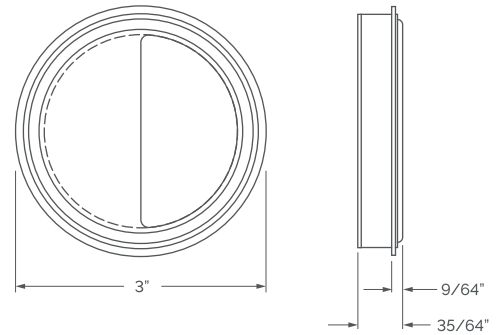


18524 Flush Pull - PRIVACY W/ EE

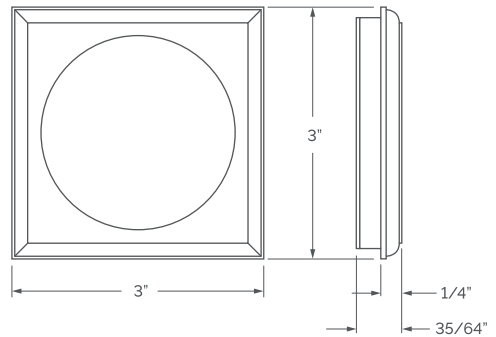


18526 Flush Pull - W/ RING PULL

FLUSH PULLS



18528 Flush Pull - OFFSET PASSAGE

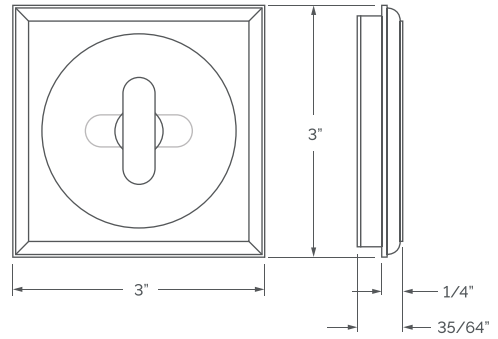


18540 Square Flush Pull - PASSAGE

18550 Square Flush Pull Set - PASSAGE W/ 9730

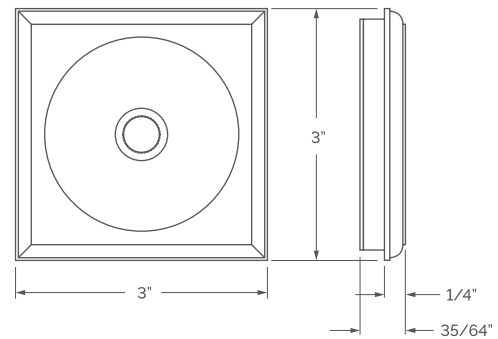
18552 Square Flush Pull Set - PASSAGE W/ 2000

FLUSH PULLS



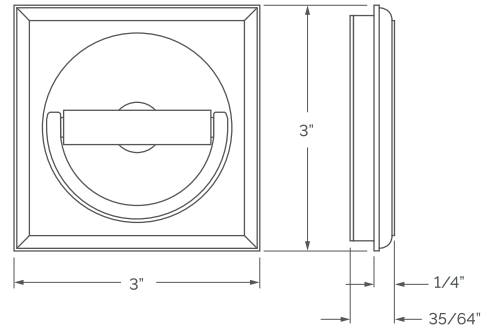
18542 Square Flush Pull - PRIVACY W/ TURNPIECE

18554 Square Flush Pull Set - PRIVACY W/ 2002

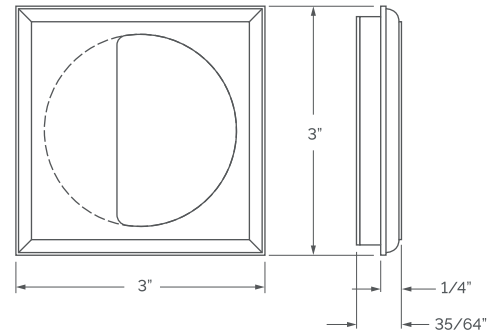


18544 Square Flush Pull - PRIVACY W/ EE

FLUSH PULLS

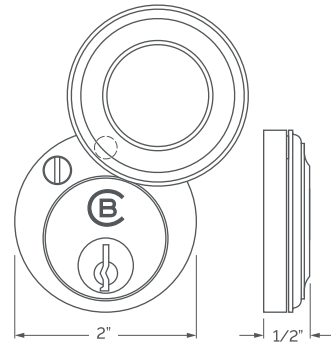


18546 Square Flush Pull - W/ RING PULL

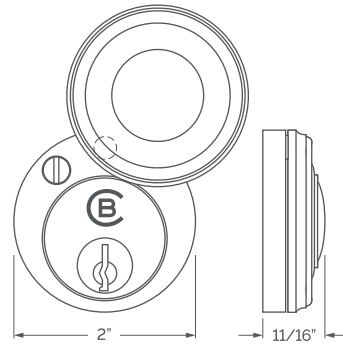


18548 Square Flush Pull - OFFSET PASSAGE

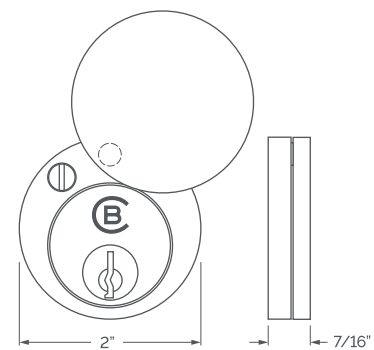
SWING COVERS



18980 Swing Cover - Traditional

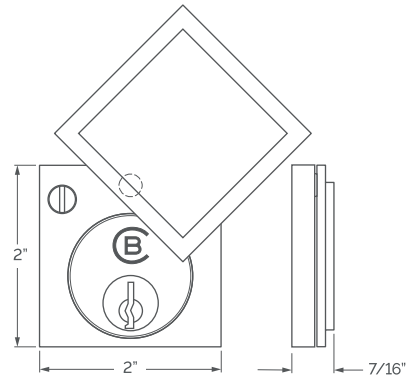


18982 Swing Cover - Chautauqua



18984 Swing Cover - Modern

SWING COVERS

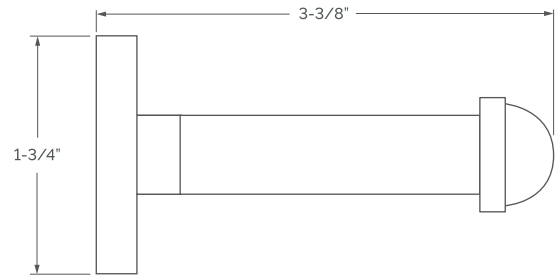


18986 Swing Cover - Square

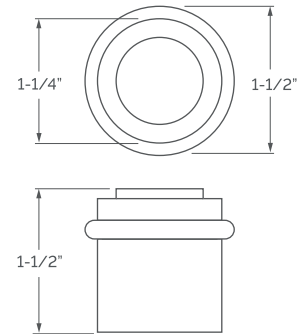
REMEMBER

1. Only available with mortise lock cylinders.
2. Mortise cylinders ordered separately.

DOOR STOPS



9744 Modern Wall Door Stop



17672 Shore Door Stop

REMEMBER

1. Should you require a modified height on the floor door stop - contact us.

25
Ⓟ

CLASSIC BRASS

CELEBRATING AMERICAN ARTISTRY

CLASSIC-BRASS.COM

2051 STONEMAN CIRCLE
LAKEWOOD, NY 14750

(716) 763-1400
(800) 869-3173