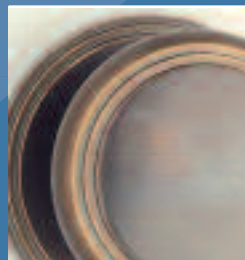


May 2013

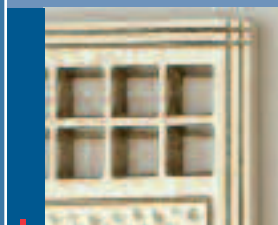


architectural
DOOR HARDWARE



Classic Brass

Manufacturer of Fine Solid Brass Decorative Hardware
Jamestown, New York



Classic Brass

TERMS AND POLICIES

STANDARD BRASS FINISHES

Level I

(AB)	Antique Brass	US5
(BZ)	Oil Rubbed Bronze	US10B
(KN)	Kensington**	
(PA)	Polished Antique	US7
(PB)	Polished Brass	US3
(PBNL)	Polished Brass – No Lacquer**	US3A
(WB)	Weathered Brass	
(WZ)	Weathered Bronze	

Level II

(AN)	Antique Nickel	
(AP)	Antique Pewter	US15A
(MB)	Matte Black	
(NC)	Nickel Copper	
(PC)	Polished Chrome	US26
(PN)	Polished Nickel	US19
(SN)	Satin Nickel	US15
(WA)	Weathered Antique Nickel	
(WC)	Weathered Copper	
(WN)	Weathered Nickel	
(WP)	Weathered Antique Pewter	

STANDARD BRONZE FINISHES

(AZ)	Aged Bronze
(AI)	Aged Iron
(AS)	Aged Silver
(MB)	Matte Black
(NB)	Natural Bronze**
(ST)	Sterling

PREMIUM FINISHES

(PB-PVD)	Polished Brass – PVD
(PS)	Polished Silver
(SS)	Satin Silver
(SCR)	Satin Copper
(PCR)	Polished Copper
(SC)	Satin Chrome

Other custom finishes available. Contact us to discuss your requirements.

Gold Plating pricing available upon request

** No lacquer

Terms

1% 10 days – NET 30. All invoices past 30 days are subject to a past due charge of 1.5% per month.

Past due accounts will be placed on “HOLD”. No shipments will be made until the account is brought within terms.

Freight

Ground freight will be prepaid on all orders over \$2,500 NET. All other shipments are F.O.B. Jamestown, New York.

Drop shipments are made at no additional charge.

Returned Goods Policy

Products will only be accepted for return within **60 days** of invoice date. A Return Goods Authorization (RGA) must be requested by contacting our office. The RGA number must be written on the outside of the shipping box.

Due to the custom nature of our product a **50% restocking fee** will be applied to all returns other than defective merchandise.

If product is damaged in return shipment due to poor packaging no credit will be allowed regardless of the reason for return.

No credit will be given for any mortise locks that have been opened or modified in any way regardless of the reason for return.

Product manufactured to custom specifications (including all Multi Point orders) or custom finishes is NOT eligible for return.

Cancellation Policy

Due to the semi-custom nature of our product, orders can only be cancelled within 48 hours of receiving your order acknowledgement. Cancellations received after 48 hours will be subject to a 25% fabrication fee.

Warranty

We guarantee our products to be of the finest quality and workmanship. We will accept the return for full refund or replacement of any products that do not meet your expectation of detail and workmanship. Due to issues such as salt spray and UV, we will only guarantee our finish for a period of one year from the date of purchase.

CONTACT US

Plant Address
2051 Stoneman Circle
Lakewood, NY 14750

Phone
(800) 869.3173
(716) 763.1400

Mailing Address
P.O. Box 3563
Jamestown, NY 14702-3563

Fax
(800) 215.2019
(716) 763.1500

Email
sales@classic-brass.com

Web
classic-brass.com

Ordering MULTI POINT

HOW TO ORDER

In order to determine the proper spacing for the Multi Point locking system and through bolting, some information is required prior to processing your order. Please provide the following:

Who manufactured the door or the lock?

What is the door thickness, including any exterior clad?

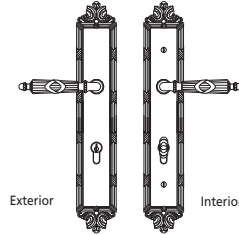
Is the lever above or below the lock cylinder?

Is the Multi Point lock cylinder European or American style?

Our standard spacing between the center of the lever and the center of the lock cylinder is 3.622" (92mm). Our standard lever location is Lever High. If this dimension is different in your lock, a precise measurement will be required. All measurements are center to center.

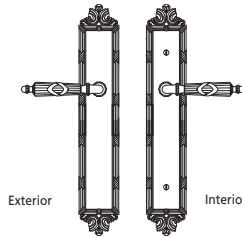
In some cases, further information may be required to process your order.

European Multi Point Set



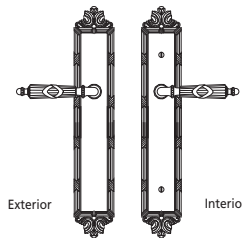
Both levers active.

Full Dummy Set



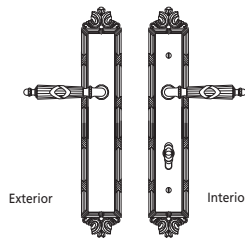
Both levers fixed.

Active Dummy Set



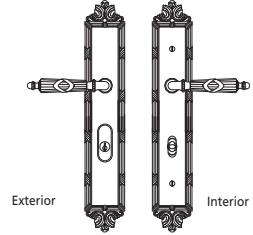
Interior lever active, exterior lever may be fixed or active.

European Patio Set



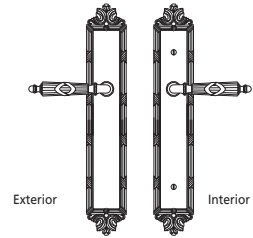
Both levers active.

American Multi Point Set



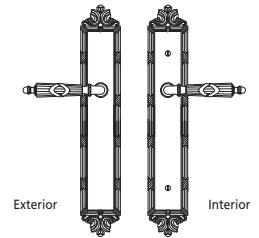
Both levers active.

Full Dummy Set



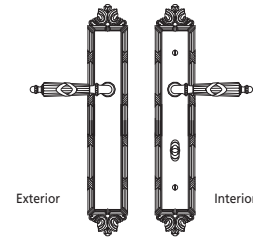
Both levers fixed.

Active Dummy Set



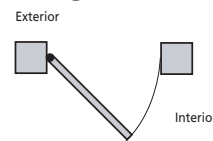
Interior lever active, exterior lever may be fixed or active.

American Patio Set



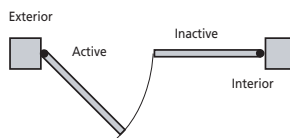
Both levers active.
Turnpiece with tailpiece attached.

Single Door



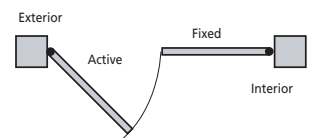
Active Multi Point Set
Patio Set

Double Doors Active/Inactive



Active Multi Point Set
Patio Set Active Dummy Set
Patio Set
Full Dummy Set
(with surface bolts)

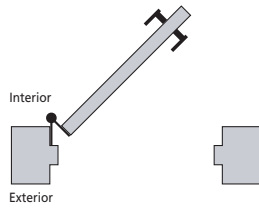
Double Doors Active/Fixed



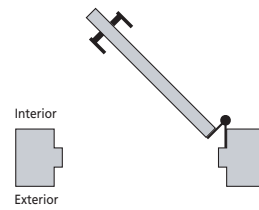
Active Multi Point Set
Patio Set Full Dummy Set

Door HANDING CHART

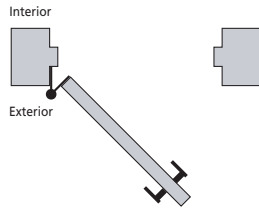
**Left Hand
Inswing**



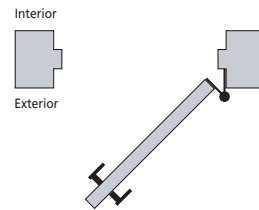
**Right Hand
Inswing**



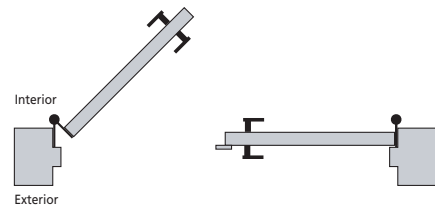
**Left Hand
Reverse
Outswing**



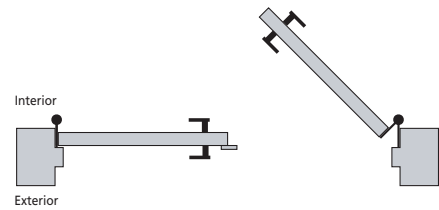
**Right Hand
Reverse
Outswing**



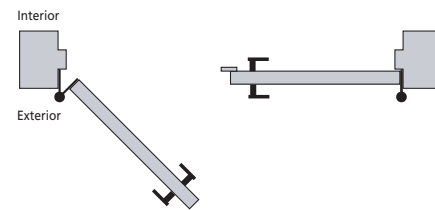
**Left Hand
Active
Inswing**



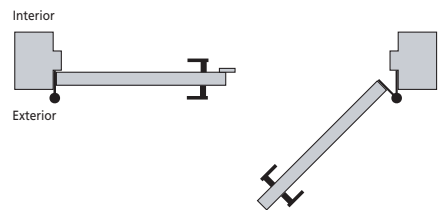
**Right Hand
Active
Inswing**



**Left Hand
Active
Outswing**



**Right Hand
Active
Outswing**



Door FINISH CHART

Standard Brass Finishes

	Lacquer (standard)	Wax (standard)	No Top Coat	Powder Coat
--	-----------------------	-------------------	----------------	----------------

AB - Antique Brass	●			
AN - Antique Nickel	●			
AP - Antique Pewter	●			
BZ - Oil Rubbed Bronze	●			
KN - Kensington		●		
MB - Matte Black				●
NC - Nickel Copper	●			
PA - Polished Antique	●			
PANL - Polished Antique - No Lacquer			●	
PB - Polished Brass	●			
PBNL - Polished Brass - No Lacquer			●	
PC - Polished Chrome			●	
PN - Polished Nickel			●	
SN - Satin Nickel	●			
TN - Tarnished		●		

Weathered Series

WA - Weathered Antique Nickel	●			
WB - Weathered Brass	●			
WC - Weathered Copper	●			
WN - Weathered Nickel	●			
WP - Weathered Antique Pewter	●			
WZ - Weathered Bronze	●			

Burnished Series

ABB - Antique Burnished Brass		●		
ABN - Antique Burnished Nickel		●		
BB - Burnished Brass		●		
BN - Burnished Nickel		●		

Premium Series

APS - Antique Polished Silver		●		
SS - Satin Silver		●		
PS - Polished Silver		●		
PG - Polished Gold			●	
MG - Matte Gold			●	

Standard Bronze Finishes

AI - Aged Iron	●			
AS - Aged Silver	●			
AZ - Aged Bronze	●			
NB - Natural Bronze			●	
ST - Sterling	●			
VG - Verdigris	●			

HOW TO ORDER

- 1 If WAX is required on a standard finish which is lacquered...
Add- WAX to finish code (example... AB - WAX)
- 2 If LACQUER is required on a standard finish that is waxed...
Add- LACQUER to finish code (example... KN - LACQUER)
We will send a sample of the finish for your approval

REMEMBER...

- 1 Wax finish is synonymous with 'living' finish and will change and enhance the appearance of the finish over time depending on the location and use
- 2 When in doubt, please order a sample to confirm your client's acceptance

chautauqua

COLLECTION

Entrance Handle Sets	pages C-1/8
Multi Point Sets	pages C-9/14
Interior Escutcheon Sets	pages C-15/22
Entrance Knob Sets	pages C-23/43
Entrance Lever Sets	pages C-44/60
Push Plates/Pulls	pages C-61/62
Flush Pulls	pages C-63/64
Auxiliary Deadbolt Sets	pages C-65/69
Mortise Bolts	pages C-70/72
Cylinder Collars	pages C-73/74
Doorbells	pages C-75/76



Classic Brass

CHAUTAQUA finishes



antique brass (AB)



antique burnished brass (ABB)



antique burnished nickel (ABN)



antique nickel (AN)



antique pewter (AP)



burnished brass (BB)



burnished nickel (BN)



oil rubbed bronze (BZ)



kensington (KN)



matte black (MB)



nickel copper (NC)



polished antique (PA)



polished brass (PB)



polished chrome (PC)



polished nickel (PN)



satin nickel (SN)



tarnished (TN)



weathered antq. nickel (WA)



weathered brass (WB)



weathered copper (WC)



weathered nickel (WN)



weathered pewter (WP)



weathered bronze (WZ)

PB-PVD and custom finishes available.

Standard Escutcheon Profiles

Eyebrow Profile
Chautauqua Edge



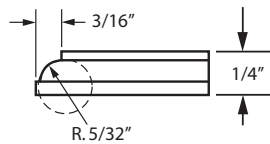
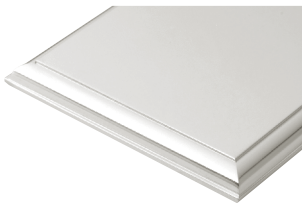
Square Profile
Chautauqua Edge



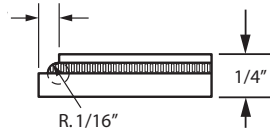
Edge Options

(available in both square & eyebrow)

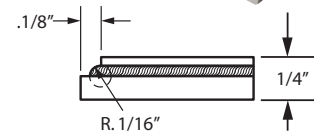
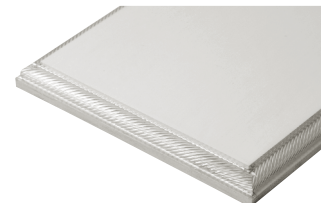
Chautauqua Edge
(Standard)



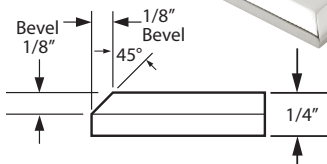
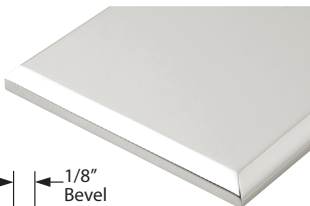
COIN Edge



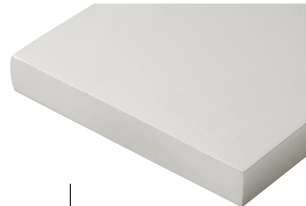
ROPE Edge



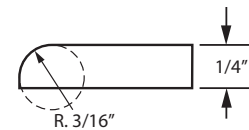
Bevel Edge



Slab Edge



Rolled Edge



HOW TO ORDER

- 1 Select correct series of sku no.'s for EYEBROW or SQUARE profile.
- 2 Specify EDGE DETAIL - standard edge detail is Chautauqua.
If alternate EDGE DETAIL is required - make sure to specify as SUB.
- 3 If necessary, calculate the appropriate upcharge per lineal inch for COIN or ROPE (see retail price list)

REMEMBER...

- 1 Custom escutcheon sizes are available.
- 2 Standard escutcheon thickness is 1/4" - alternate thickness available upon request.
- 3 Contact us to discuss custom edge details or profiles.



Entrance Handle Sets

13010 Entrance Handle Set - Lever

13012 Entrance Handle Set - T/P x T/P

13016 Entrance Handle Set - Lever - FULL DUMMY

13017 Entrance Handle Set - T/P x T/P - FULL DUMMY

Above sets include 16080 Lever

13018 Entrance Handle Set - Knob

13019 Entrance Handle Set - Knob - FULL DUMMY

Above sets include 14460 Knob

standard finishes

AB|ABB|BB|BZ|KN|PA|PB|PBNL|TN|WB|WZ
ABN|AN|AP|BN|MB|NC|PC|PN|SN|WA|WC|WN|WP

premium finishes

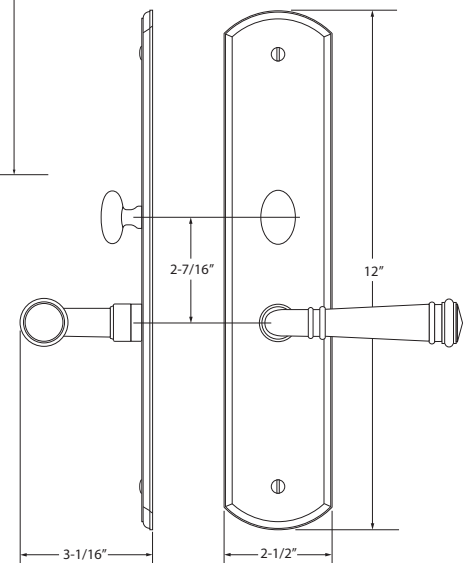
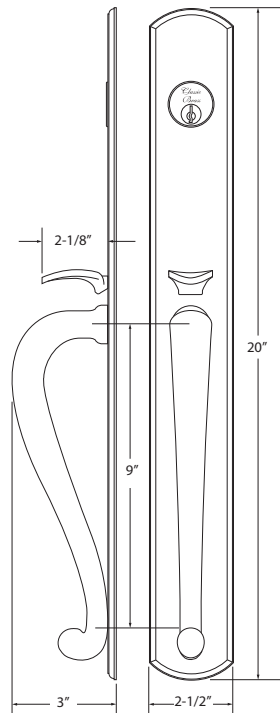
APS|APN|PB-PVD|PS|SS|SCR|PCR|SC
gold plating available upon request

price list

page 1

material

solid brass



HOW TO ORDER

- 1 Specify application.
- 2 Specify finish. If split finish required, please indicate exterior/interior.
- 3 Specify door thickness. Standard thickness is 1-3/4".
- 4 Specify hand of door - RH/LH.
- 5 Specify backset - standard for mortise lock is 2-1/2".

REMEMBER...

- 1 Standard mortise lock is 2-1/2" EE. Specify 2-3/4" if required.
- 2 All knobs and levers are interchangeable.
- 3 A door thickness greater than 1-3/4" will require a thick door kit.
- 4 Custom drilling available.
- 5 See page C-0 for edge and profile options.

HANDLE SETS

ENTRANCE

Entrance Handle Sets

13000 Entrance Handle Set - Lever

13002 Entrance Handle Set - T/P x T/P

13006 Entrance Handle Set - Lever - FULL DUMMY

13007 Entrance Handle Set - T/P x T/P - FULL DUMMY

Above sets include 16200 Lever

13008 Entrance Handle Set - Knob

13009 Entrance Handle Set - Knob - FULL DUMMY

Above sets include 14240 Knob

standard finishes

AB | ABB | BB | BZ | KN | PA | PB | PBNL | TN | WB | WZ
ABN | AN | AP | BN | MB | NC | PC | PN | SN | WA | WC | WN | WP

premium finishes

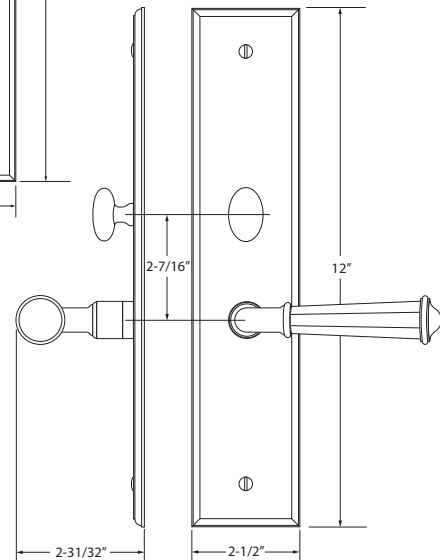
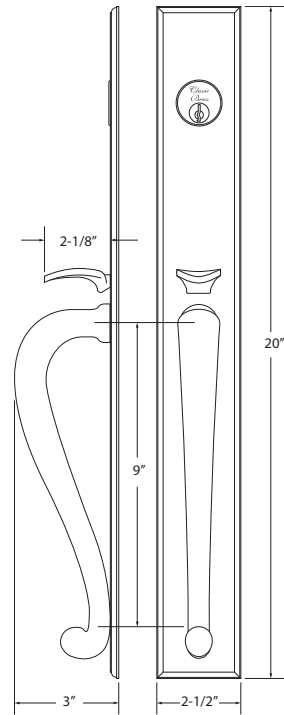
APS | APN | PB-PVD | PS | SS | SCR | PCR | SC
gold plating available upon request

price list

page 1

material

solid brass



ENTRANCE

HANDLE SETS

SET COMPONENTS

Entrance Handle Set – Lever (Knob) includes exterior escutcheon w/ pull and thumbpiece attached, interior escutcheon with turnpiece attached, lever (knob), Accurate 9169 TPxL(K), dust box, strike 1-1/4" LTC, mortise cylinder, bolt cover, 8mm half spindle and mounting hardware.

Entrance Handle Set – T/P x T/P includes exterior escutcheon with pull and thumbpiece attached, interior escutcheon with thumbpiece, pull and turnpiece attached, Accurate 9169 TPxTP, dust box, strike 1-1/4" LTC, mortise cylinder and mounting hardware.

Entrance Handle Set – Lever (Knob) – Full Dummy includes exterior escutcheon w/ pull and fixed thumbpiece attached, interior escutcheon, lever (knob), bolt cover, 8mm half spindle and full dummy mounting hardware.

Entrance Handle Set – T/P x T/P – Full Dummy includes exterior escutcheon with pull and fixed thumbpiece attached, interior escutcheon with fixed thumbpiece.

Entrance Knob Sets

13116 Knob Mortise Entrance Set

13117 Knob Mortise Entrance Set - FULL DUMMY

13118 Knob Latch x Auxiliary Deadbolt Set

13119 Knob Latch x Auxiliary Deadbolt Set - FULL DUMMY

Above sets include 14460 Knob

standard finishes

AB | ABB | BB | BZ | KN | PA | PB | PBNL | TN | WB | WZ
ABN | AN | AP | BN | MB | NC | PC | PN | SN | WA | WC | WN | WP

premium finishes

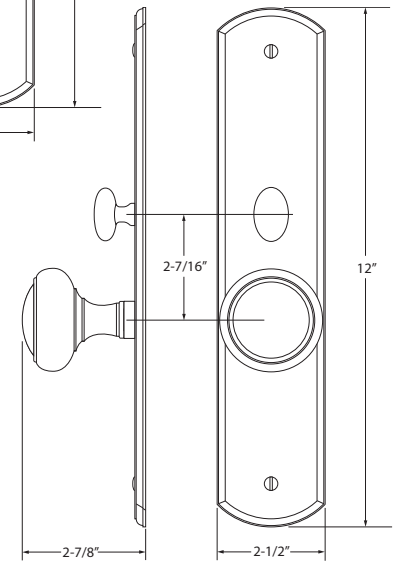
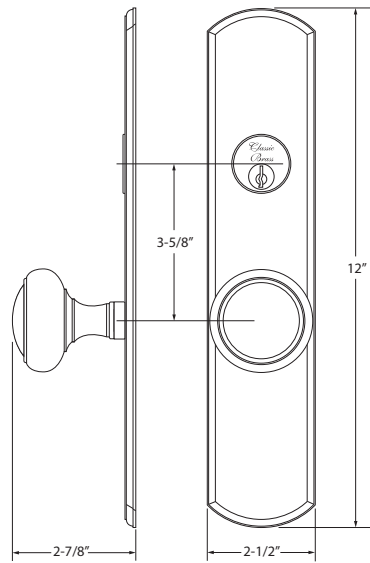
APS | APN | PB-PVD | PS | SS | SCR | PCR | SC
gold plating available upon request

price list

page 1

material

solid brass



KNOB SETS

ENTRANCE

HOW TO ORDER

- 1 Specify application.
- 2 Specify finish. If split finish required, please indicate exterior/interior.
- 3 Specify door thickness. Standard thickness is 1-3/4".
- 4 Specify hand of door - RH/LH.
- 5 Specify backset - standard for mortise lock is 2-1/2".

REMEMBER...

- 1 Standard mortise lock is 2-1/2" EE. Specify 2-3/4" if required.
- 2 All knobs and levers are interchangeable.
- 3 A door thickness greater than 1-3/4" will require a thick door kit.
- 4 Custom drilling available.
- 5 See page C-0 for edge and profile options.

Entrance Knob Sets

13110 Knob Mortise Entrance Set

13111 Knob Mortise Entrance Set - FULL DUMMY

13112 Knob Latch x Auxiliary Deadbolt Set

13113 Knob Latch x Auxiliary Deadbolt Set - FULL DUMMY

Above sets include 14240 Knob

standard finishes

AB | ABB | BB | BZ | KN | PA | PB | PBNL | TN | WB | WZ
ABN | AN | AP | BN | MB | NC | PC | PN | SN | WA | WC | WN | WP

premium finishes

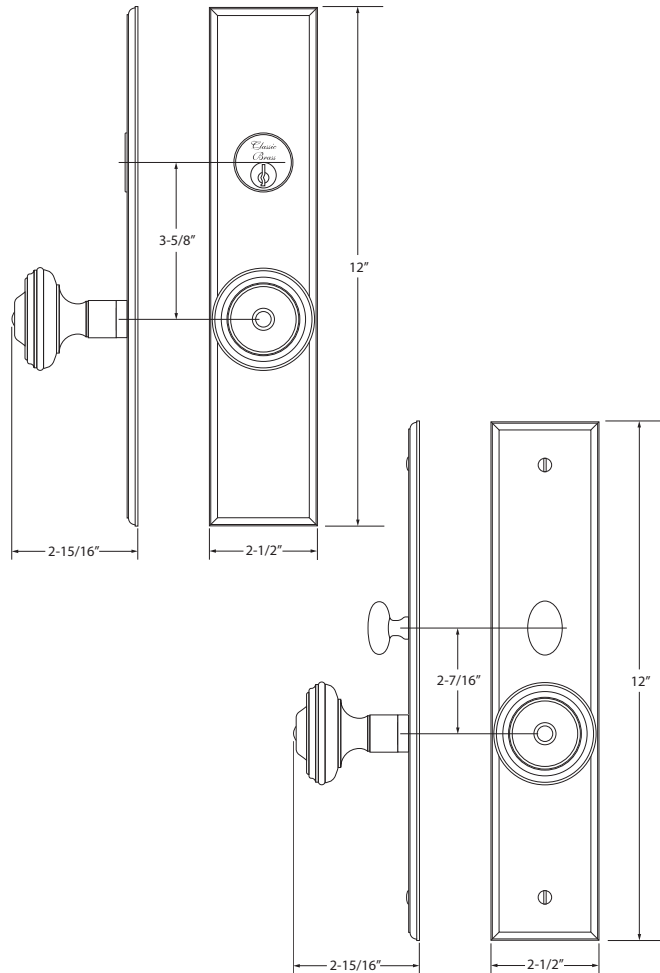
APS | APN | PB-PVD | PS | SS | SCR | PCR | SC
gold plating available upon request

price list

page 1

material

solid brass



ENTRANCE

KNOB SETS

SET COMPONENTS

Complete Entrance Knob Set – Mortise Lock includes exterior plate, interior plate with turnpiece, two knobs, 4" swivel spindle (8mm), single cylinder mortise lock (2-1/2" backset) w/Accurate 9124 K x K, faceplate, strike, dust box, mortise cylinder and mounting hardware.

Complete Entrance Knob Set – Latch x Auxiliary Deadbolt includes exterior plate, interior plate, two knobs, passage latch (2-3/8"), 4" straight spindle (8mm), auxiliary deadbolt (2-3/8"), rim cylinder, turnpiece, latch faceplate, deadbolt faceplate, full lip strike, deadbolt strike, dust boxes and mounting hardware. NOTE: our standard spacing between knob hub and auxiliary deadbolt is 5-1/2" c-c.

Complete Entrance Knob Set – Full Dummy includes exterior plate, interior plate, two knobs, 4" straight spindle (8mm) and mounting hardware.

Entrance Lever Sets

13156 Lever Mortise Entrance Set

13157 Lever Mortise Entrance Set - FULL DUMMY

13158 Lever Latch x Auxiliary Deadbolt Set

13159 Lever Latch x Auxiliary Deadbolt Set - FULL DUMMY

Above sets include 16080 Lever

standard finishes

AB | ABB | BB | BZ | KN | PA | PB | PBNL | TN | WB | WZ
ABN | AN | AP | BN | MB | NC | PC | PN | SN | WA | WC | WN | WP

premium finishes

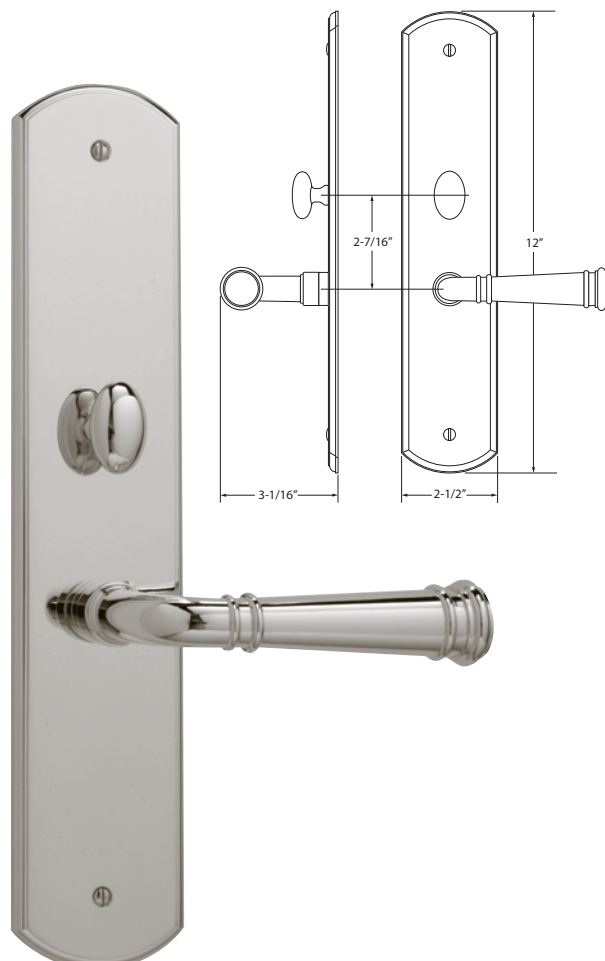
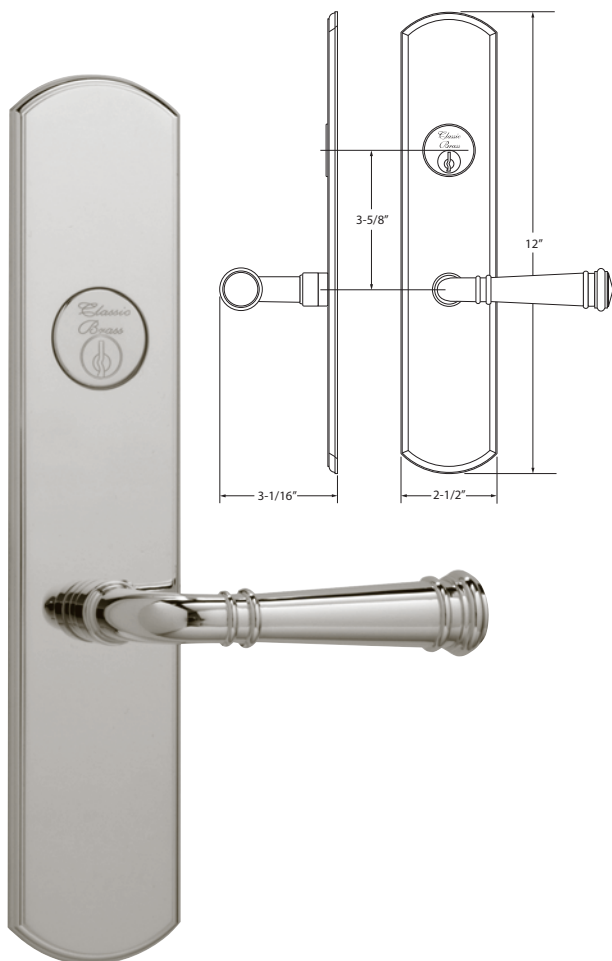
APS | APN | PB-PVD | PS | SS | SCR | PCR | SC
gold plating available upon request

price list

page 1

material

solid brass



LEVER SETS

ENTRANCE

HOW TO ORDER

- 1 Specify application.
- 2 Specify finish. If split finish required, please indicate exterior/interior.
- 3 Specify door thickness. Standard thickness is 1-3/4".
- 4 Specify hand of door - RH/LH.
- 5 Specify backset - standard for mortise lock is 2-1/2".

REMEMBER...

- 1 Standard mortise lock is 2-1/2" EE. Specify 2-3/4" if required.
- 2 All knobs and levers are interchangeable.
- 3 A door thickness greater than 1-3/4" will require a thick door kit.
- 4 Custom drilling available.
- 5 See page C-0 for edge and profile options.

Entrance Lever Sets

13150 Lever Mortise Entrance Set

13151 Lever Mortise Entrance Set - FULL DUMMY

13152 Lever Latch x Auxiliary Deadbolt Set

13153 Lever Latch x Auxiliary Deadbolt Set - FULL DUMMY

Above sets include 16200 Lever

standard finishes

AB | ABB | BB | BZ | KN | PA | PB | PBNL | TN | WB | WZ
 ABN | AN | AP | BN | MB | NC | PC | PN | SN | WA | WC | WN | WP

premium finishes

APS | APN | PB-PVD | PS | SS | SCR | PCR | SC
 gold plating available upon request

price list

page 1

material

solid brass



ENTRANCE LEVER SETS

SET COMPONENTS

Complete Entrance Lever Set – Mortise Lock includes exterior plate, interior plate with turnpiece, two levers, 4" swivel spindle (8mm), single cylinder mortise lock (2-1/2" backset) w/Accurate 9124 LxL, faceplate, strike, dust box, mortise cylinder and mounting hardware.

Complete Entrance Lever Set – Latch x Auxiliary Deadbolt includes exterior plate, interior plate, two levers, passage latch (2-3/8"), 4" straight spindle (8mm), auxiliary deadbolt (2-3/8"), rim cylinder, turnpiece, latch faceplate, deadbolt faceplate, full lip strike, deadbolt strike, dust boxes and mounting hardware. **NOTE:** our standard spacing between lever hub and auxiliary deadbolt is 5-1/2" c-c.

Complete Entrance Lever Set – Full Dummy includes exterior plate, interior plate, two levers, 4" straight spindle (8mm) and mounting hardware.

Entrance Knob Sets - Sectional

13203 Knob Mortise Entrance Sectional Set

13204 Knob Latch x Auxiliary Deadbolt Sectional Set

13205 Knob Sectional Set - FULL DUMMY

Above sets include 14460 Knob

standard finishes

AB | ABB | BB | BZ | KN | PA | PB | PBNL | TN | WB | WZ
ABN | AN | AP | BN | MB | NC | PC | PN | SN | WA | WC | WN | WP

premium finishes

APS | APN | PB-PVD | PS | SS | SCR | PCR | SC
gold plating available upon request

price list

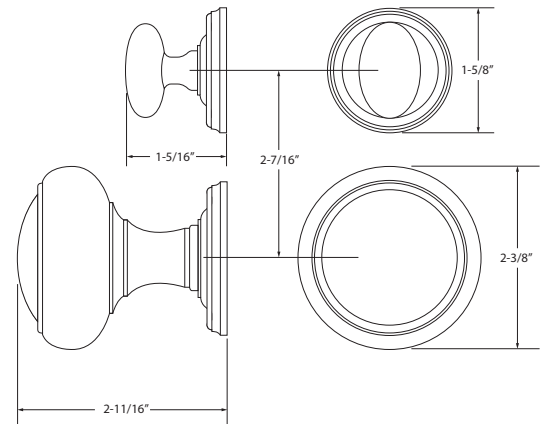
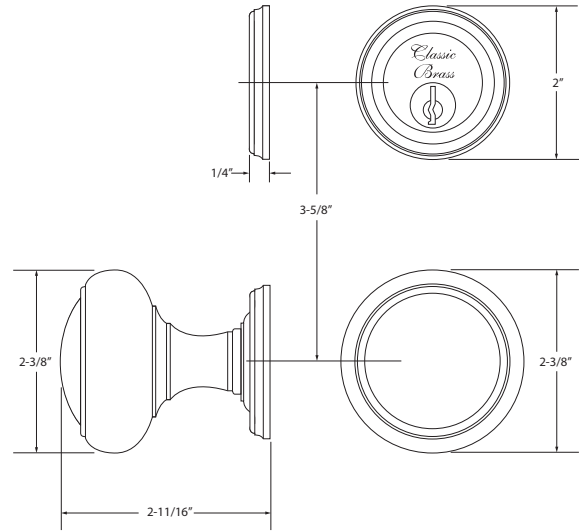
page 2

material

solid brass

SECTIONAL SETS

ENTRANCE KNOB



HOW TO ORDER

- 1 Specify application – mortise, latch x auxiliary deadbolt or full dummy.
- 2 Specify finish. If split finish required, please indicate exterior/interior.
- 3 Specify door thickness. Standard thickness is 1-3/4".
- 4 Specify hand of door – RH/LH.
- 5 Specify backset – standard for mortise lock is 2-1/2".
– standard for auxiliary deadbolt is 2-3/8".

REMEMBER...

- 1 Standard mortise lock is 2-1/2" EE. Specify 2-3/4" if required.
- 2 Standard latch x auxiliary deadbolt – 5-1/2" c-c spacing and 2-3/8" backset. If required, specify 2-3/4" backset.
- 3 All knobs and levers are interchangeable.
- 4 A door thickness greater than 1-3/4" will require a thick door kit.
- 5 Custom drilling available.

Entrance Lever Sets - Sectional

13253 Lever Mortise Entrance Sectional Set

13254 Lever Latch x Auxiliary Deadbolt Sectional Set

13255 Lever Sectional Set - FULL DUMMY

Above sets include 16080 Lever

standard finishes

AB | ABB | BB | BZ | KN | PA | PB | PBNL | TN | WB | WZ
ABN | AN | AP | BN | MB | NC | PC | PN | SN | WA | WC | WN | WP

premium finishes

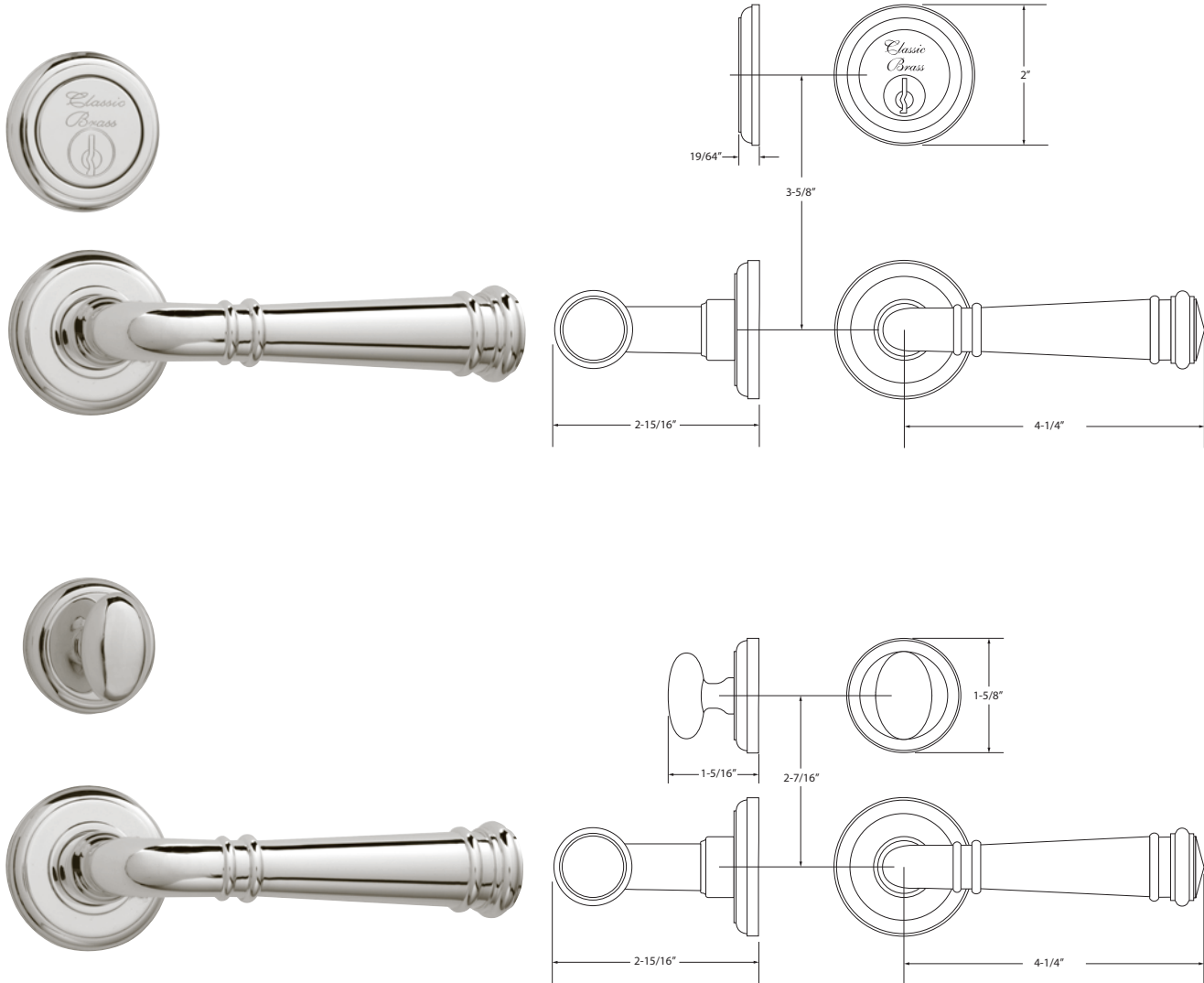
APS | APN | PB-PVD | PS | SS | SCR | PCR | SC
gold plating available upon request

price list

page 2

material

solid brass



ENTRANCE LEVER

SECTIONAL SETS

SET COMPONENTS

Lever (Knob) Mortise Entrance Sectional Set includes two rosettes, two levers (knobs), 8mm spindle, turnpiece and plate, cylinder collar, Accurate 9124 LxL (KxK), mortise lock, mortise cylinder, faceplate, strike, dust box and mounting hardware.

Lever (Knob) Latch x Auxiliary Deadbolt Sectional Set includes two rosettes, two levers (knobs), 8mm spindle, auxiliary deadbolt turnpiece and plate, cylinder collar, 2-3/8" b.s. passage latch, auxiliary deadbolt cylinder, faceplates, strikes, dust box and mounting hardware.

Lever (Knob) Sectional Set – Full Dummy includes two rosettes, two levers (knobs), 8mm straight spindle and full dummy mounting hardware.

Multi Point Sets – European

1-1/2" x 10"	2" x 11"	2-1/2" x 12"
13305	13315	13325
13306	13316	13326
13307	13317	13327
13308	13318	13328

Lever Euro M/P Set - ENTRANCE
 Lever Euro M/P Set - FULL DUMMY
 Lever Euro M/P Set - ACTIVE DUMMY
 Lever Euro M/P Set - PATIO
 Above sets include 16080 Lever

standard finishes

AB|ABB|BB|BZ|KN|PA|PB|PBNL|TN|WB|WZ
 ABN|AN|AP|BN|MB|NC|PC|PN|SN|WA|WC|WN|WP

premium finishes

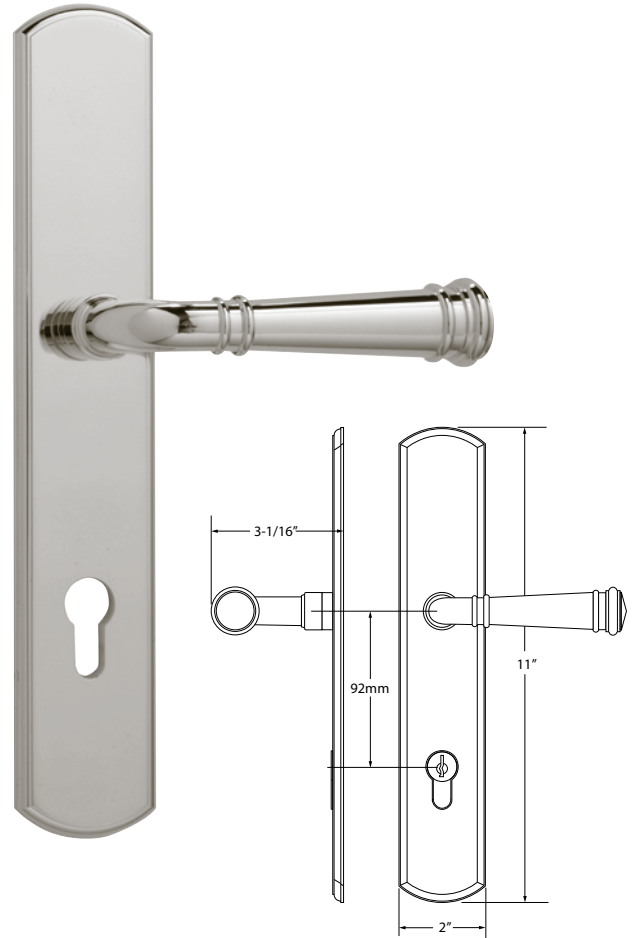
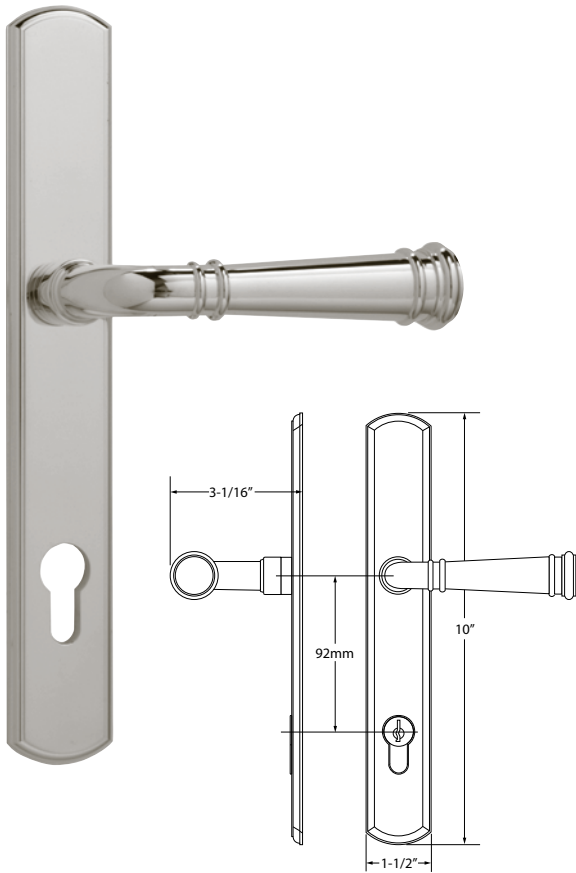
APS|APN|PB-PVD|PS|SS|SCR|PCR|SC
 gold plating available upon request

price list

page 2

material

solid brass



HOW TO ORDER

- 1 Specify application.
- 2 Specify finish. If split finish required, please indicate exterior/interior.
- 3 Specify door thickness. Standard thickness is 1-3/4".
- 4 Specify hand of door – RH/LH.
- 5 See Multipoint Check Sheet (form 500) for additional information.
- 6 Specify fixed or active exterior lever when ordering active dummy set.

REMEMBER...

- 1 Standard euro profile applications: lever high – 92mm spacing.
- 2 Specify lever low or custom c-c spacing required.
- 3 All levers are interchangeable.
- 4 Door thickness greater than 1-3/4" will require longer euro cylinders.
- 5 Cylinders INCLUDED w/all applications (collection turnpiece attached).
- 6 Strike not included.
- 7 See page C-0 for edge and profile options.
- 8 Euro offset cylinders available upon request - contact us.

EUROPEAN SETS

MULTIPOINT

Multi Point Sets – European

1-1/2" x 10"	2" x 11"	2-1/2" x 12"
13300	13310	13320
13301	13311	13321
13302	13312	13322
13303	13313	13323

Lever Euro M/P Set - ENTRANCE
 Lever Euro M/P Set - FULL DUMMY
 Lever Euro M/P Set - ACTIVE DUMMY
 Lever Euro M/P Set - PATIO
 Above sets include 16200

standard finishes

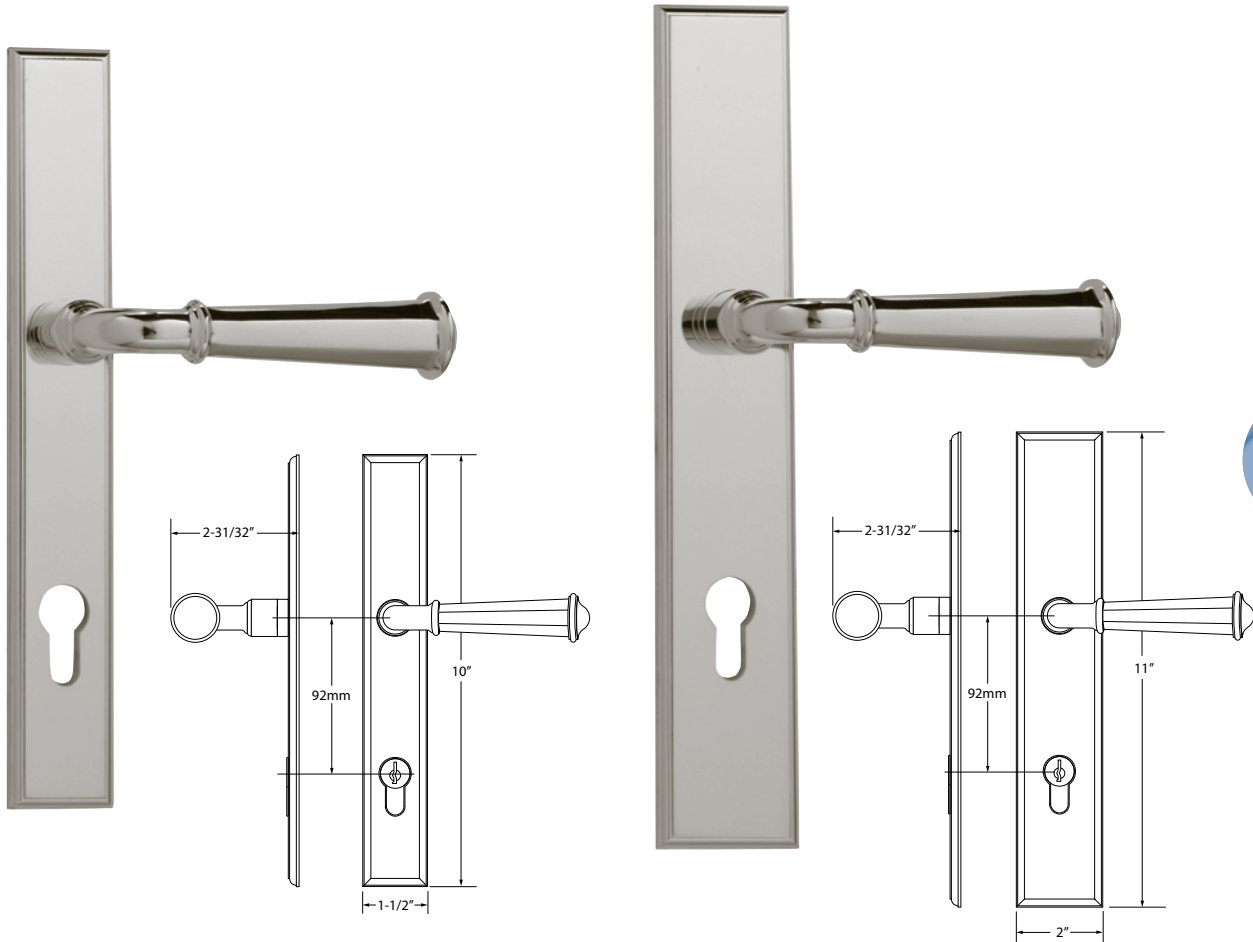
AB|ABB|BB|BZ|KN|PA|PB|PBNL|TN|WB|WZ
 ABN|AN|AP|BN|MB|NC|PC|PN|SN|WA|WC|WN|WP

premium finishes

APS|APN|PB-PVD|PS|SS|SCR|PCR|SC
 gold plating available upon request

price list material

page 2 solid brass



MULTIPOINT
 EUROPEAN SETS

SET COMPONENTS

Multi Point Complete Set – Euro Profile includes two escutcheons, one pair of levers, 4" straight spindle, Euro profile cylinder - 62mm - KxTP and mounting hardware. NOTE: standard spacing between lever hub and the profile cylinder is 92mm.

Multi Point Full Dummy Set – Euro Profile includes two escutcheons, one pair of levers, 4" straight spindle (8mm), two dummy mount plates and mounting hardware.

Multi Point Active Dummy Set – Euro Profile includes two escutcheons, one pair of levers, 4" straight spindle (8mm) and mounting hardware.

Multi Point Patio Set – Euro Profile includes exterior escutcheon, interior escutcheon, one pair of levers, 4" straight spindle (8mm), Euro profile half cylinder - 31mm and mounting hardware. NOTE: standard spacing between lever hub and the profile cylinder is 92mm.

Multi Point Sets – Euro Sectional

Eyebrow	Square	Oval
13405	13400	13410
13406	13401	13411
13407	13402	13412
13408	13403	13413

Lever Euro M/P Sectional Set - ENTRANCE
 Lever Euro M/P Sectional Set - FULL DUMMY
 Lever Euro M/P Sectional Set - ACTIVE DUMMY
 Lever Euro M/P Sectional Set - PATIO

standard finishes

AB | ABB | BB | BZ | KN | PA | PB | PBNL | TN | WB | WZ
 ABN | AN | AP | BN | MB | NC | PC | PN | SN | WA | WC | WN | WP

premium finishes

APS | APN | PB-PVD | PS | SS | SCR | PCR | SC
 gold plating available upon request

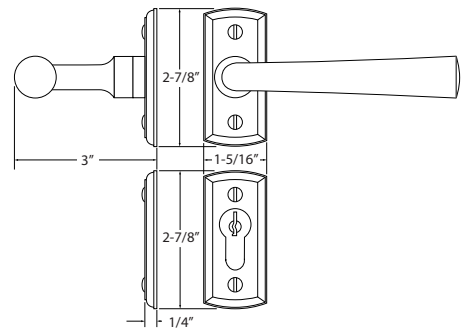
price list

page 3

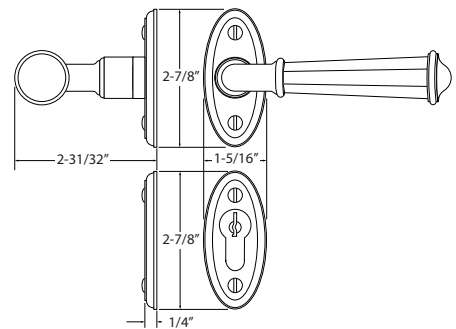
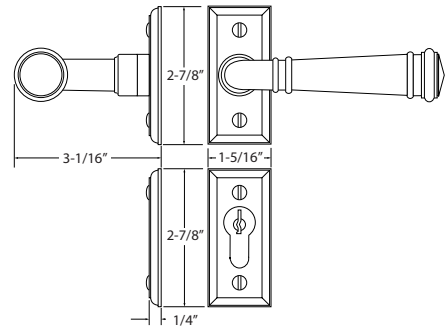
material

solid brass

SECTIONAL SETS



MULTIPOINT EURO



HOW TO ORDER

- 1 Specify application.
- 2 Specify finish. If split finish required, please indicate exterior/interior.
- 3 Specify door thickness. Standard thickness is 1-3/4".
- 4 Specify hand of door – RH/LH.
- 5 See Multipoint Check Sheet (form 500) for additional information.
- 6 Specify fixed or active exterior lever when ordering active dummy set.

REMEMBER...

- 1 Standard Euro profile applications: lever high – 92mm spacing
- 2 All levers are interchangeable.
- 3 Door thickness greater than 1-3/4" will require longer euro cylinders.
- 4 Cylinders INCLUDED w/ all applications (collection turnpiece attached).
- 5 Strike not included.
- 6 See page C-0 for edge and profile options.
- 7 Euro offset cylinders available upon request - contact us.

Multi Point Window Operator

13471 M/P Window Trim Set (Eyebrow)

13470 M/P Window Trim Set (Square)

13472 M/P Window Trim Set (Oval)

standard finishes

AB | ABB | BB | BZ | KN | PA | PB | PBNL | TN | WB | WZ
 ABN | AN | AP | BN | MB | NC | PC | PN | SN | WA | WC | WN | WP

premium finishes

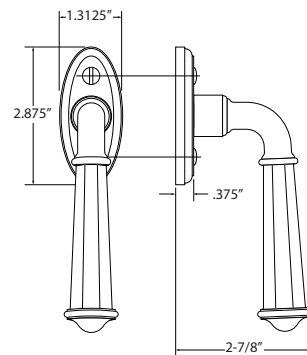
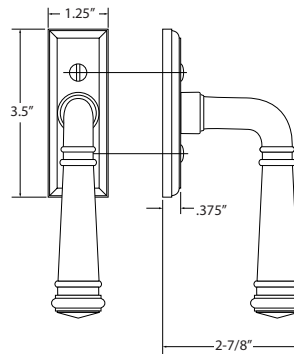
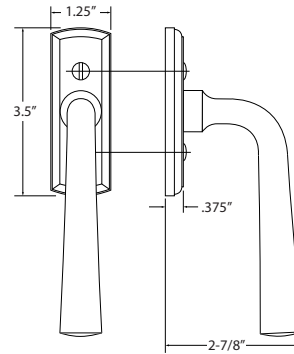
APS | APN | PB-PVD | PS | SS | SCR | PCR | SC
 gold plating available upon request

price list

page 3

material

solid brass



SET COMPONENTS

Lever Euro M/P Sectional Set – Entrance includes two rosettes, two levers, two euro cylinder collars, euro profile cylinder (62mm) KxTP, 8mm straight spindle and surface mounting screws.

Lever Euro M/P Sectional Set – Full Dummy includes two rosettes, two levers, 8mm spindle, full dummy mounting hardware and surface mounting screws.

Lever Euro M/P Sectional Set – Active Dummy includes two roses, two levers, 8mm swivel spindle and full dummy mounting hardware for exterior rosette.

Lever Euro M/P Sectional Set – Patio includes two rosettes, two levers, one euro cylinder collar, euro profile half cylinder (31mm), 8mm straight spindle and surface mounting screws.

M/P Window Trim Set includes one M/P window escutcheon w/ lever attached, detent mechanism, 7mm straight spindle and two each M5 screws.

MULTIPOINT

WINDOW SETS



Multi Point Sets – American

1-1/2" x 10"	2" x 11"	2-1/2" x 12"
13505	13515	13525
13506	13516	13526
13507	13517	13527
13508	13518	13528

Lever Amer M/P Set - ENTRANCE
 Lever Amer M/P Set - FULL DUMMY
 Lever Amer M/P Set - ACTIVE DUMMY
 Lever Amer M/P Set - PATIO
 Above sets include 16080 Lever

standard finishes

AB | ABB | BB | BZ | KN | PA | PB | PBNL | TN | WB | WZ
 ABN | AN | AP | BN | MB | NC | PC | PN | SN | WA | WC | WN | WP

premium finishes

APS | APN | PB-PVD | PS | SS | SCR | PCR | SC
 gold plating available upon request

price list

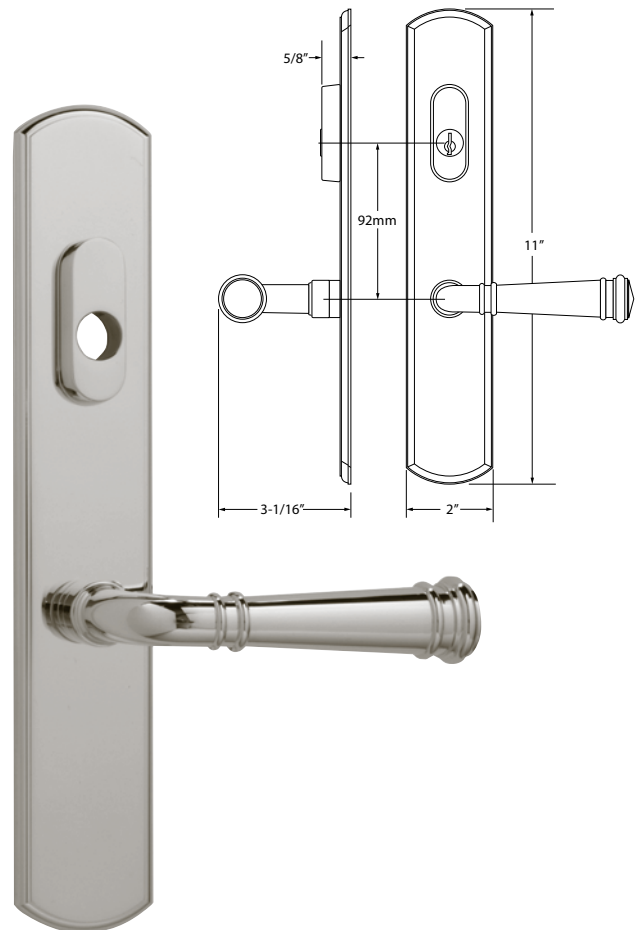
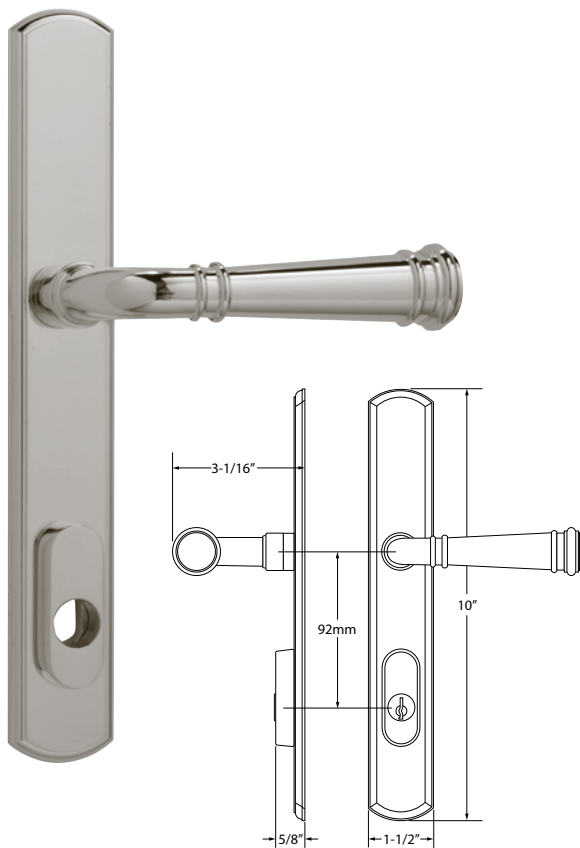
page 3

material

solid brass

AMERICAN SETS

MULTIPOINT



HOW TO ORDER

- 1 Specify application.
- 2 Specify finish. If split finish required, please indicate exterior/interior.
- 3 Specify door thickness. Standard thickness is 1-3/4".
- 4 Specify hand of door – RH/LH.
- 5 See Multipoint Check Sheet (form 500) for additional information.
- 6 Specify fixed or active exterior lever when ordering active dummy set.

REMEMBER...

- 1 Standard american cylinder applications: lever high – 92mm spacing.
- 2 Specify lever low or custom c-c spacing required.
- 3 All levers are interchangeable.
- 4 Cylinders INCLUDED w/all applications (collection turnpiece attached).
- 5 Strike not included.
- 6 See page C-0 for edge and profile options.

Multi Point Sets – American

1-1/2" x 10"	2" x 11"	2-1/2" x 12"
13500	13510	13520
13501	13511	13521
13502	13512	13522
13503	13513	13523

Lever Amer M/P Set - ENTRANCE
 Lever Amer M/P Set - FULL DUMMY
 Lever Amer M/P Set - ACTIVE DUMMY
 Lever Amer M/P Set - PATIO
 Above sets include 16200 Lever

standard finishes

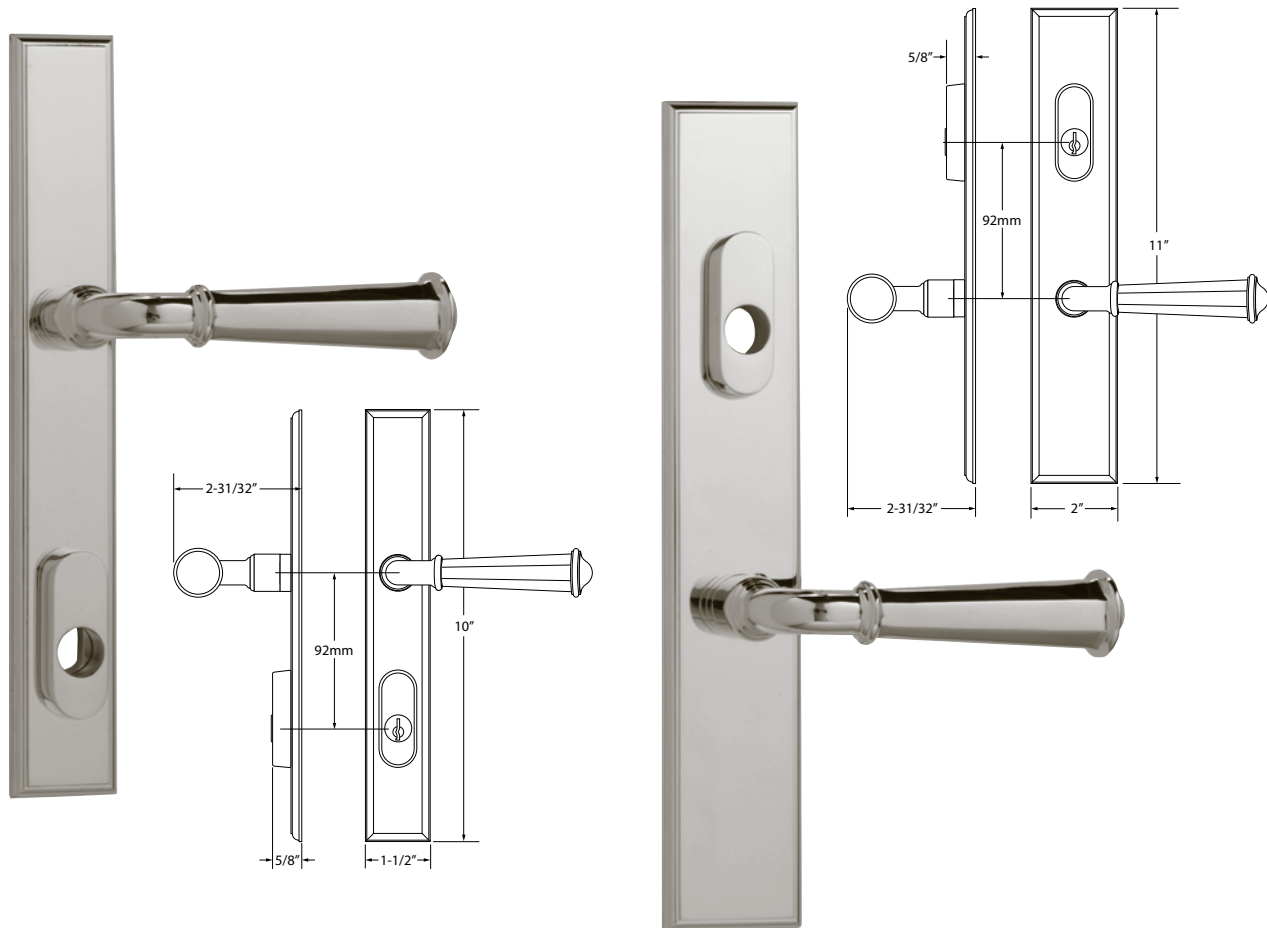
AB | ABB | BB | BZ | KN | PA | PB | PBNL | TN | WB | WZ
 ABN | AN | AP | BN | MB | NC | PC | PN | SN | WA | WC | WN | WP

premium finishes

APS | APN | PB-PVD | PS | SS | SCR | PCR | SC
 gold plating available upon request

price list material

page 3 solid brass



MULTIPOINT
 AMERICAN SETS

SET COMPONENTS

Multi Point Complete Set – American Profile includes two escutcheons, one pair of levers, 4" straight spindle, 62mm - KxTP (american profile cylinder) and mounting hardware. NOTE: standard spacing between lever hub and the profile cylinder is 92mm.

Multi Point Full Dummy Set – American Profile includes two escutcheons, one pair of levers, 4" straight spindle (8mm), two dummy mount plates and mounting hardware.

Multi Point Active Dummy Set – American Profile includes two escutcheons, one pair of levers, 4" straight spindle (8mm) and mounting hardware.

Multi Point Patio Set – American Profile includes exterior escutcheon, interior escutcheon (for American profile application turnpiece with tailpiece attached to escutcheon), one pair of levers and 4" straight spindle (8mm). NOTE: standard spacing between lever hub and the profile cylinder is 92mm.

Interior Escutcheon Sets – Knob

1-1/2" x 10" Escutcheon Sets

- 13630 Knob Escutcheon Set - PASSAGE
- 13632 Knob Escutcheon Set - LATCH x M/B
- 13633 Knob Escutcheon Set - FULL DUMMY
- 13634 Knob Escutcheon Set - HALF DUMMY

2-1/4" x 7" Escutcheon Sets

- 13610 Knob Escutcheon Set - PASSAGE
- 13611 Knob Escutcheon Set - PRIVACY
- 13612 Knob Escutcheon Set - LATCH x M/B
- 13613 Knob Escutcheon Set - FULL DUMMY
- 13614 Knob Escutcheon Set - HALF DUMMY

13635 Knob Escutcheon Mortise Set - PASSAGE

13636 Knob Escutcheon Mortise Set - PRIVACY

Above sets include 14460 Knob

13615 Knob Escutcheon Mortise Set - PASSAGE

13616 Knob Escutcheon Mortise Set - PRIVACY

Above sets include 14460 Knob

standard finishes

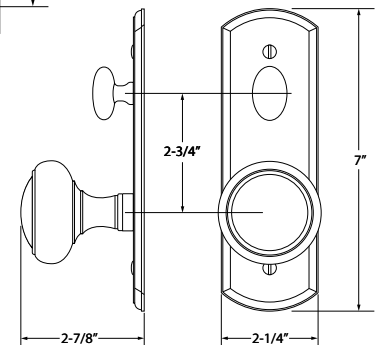
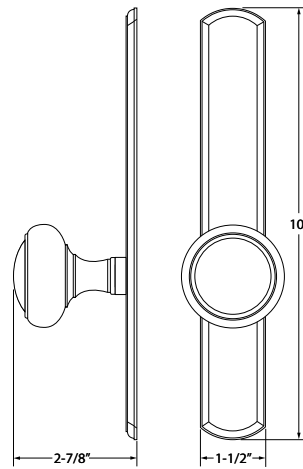
AB|ABB|BB|BZ|KN|PA|PB|PBNL|TN|WB|WZ
ABN|AN|AP|BN|MB|NC|PC|PN|SN|WA|WC|WN|WP

premium finishes

APS|APN|PB-PVD|PS|SS|SCR|PCR|SC
gold plating available upon request

price list material

page 5 solid brass



HOW TO ORDER

- 1 Specify application.
- 2 Specify finish. If split finish required, please indicate exterior/interior.
- 3 Specify door thickness. Standard thickness is 1-3/4".
- 4 Specify hand of door – RH/LH.
- 5 Specify backset required. Standard is 2-3/8" for tubular.
Standard is 2-1/2" for mortise.

REMEMBER...

- 1 Consider utilizing an interior mortise lock for quality installations.
- 2 All knobs are interchangeable.
- 3 FULL LIP strikes are standard. Specify SUB 'T' strike, if required.
- 4 Standard backset is 2-3/8" for tubular. If required specify 2-3/4".
2-1/2" for mortise. If required specify 2-3/4".
- 5 Custom drilling available.
- 6 Combination strike and faceplate available for latch x mortise bolt function.
- 7 See page C-0 for edge and profile options.

Interior Escutcheon Sets – Knob

2" x 11" Escutcheon Sets

- 13650 Knob Escutcheon Set - PASSAGE
- 13652 Knob Escutcheon Set - LATCH x M/B
- 13653 Knob Escutcheon Set - FULL DUMMY
- 13654 Knob Escutcheon Set - HALF DUMMY

- 13655 Knob Escutcheon Mortise Set - PASSAGE
 - 13656 Knob Escutcheon Mortise Set - PRIVACY
- Above sets include 14460 Knob

2-1/2" x 12" Escutcheon Sets

- 13670 Knob Escutcheon Set - PASSAGE
- 13671 Knob Escutcheon Set - PRIVACY
- 13672 Knob Escutcheon Set - LATCH x M/B
- 13673 Knob Escutcheon Set - FULL DUMMY
- 13674 Knob Escutcheon Set - HALF DUMMY

- 13675 Knob Escutcheon Mortise Set - PASSAGE
 - 13676 Knob Escutcheon Mortise Set - PRIVACY
- Above sets include 14460 Knob

standard finishes

AB | ABB | BB | BZ | KN | PA | PB | PBNL | TN | WB | WZ
 ABN | AN | AP | BN | MB | NC | PC | PN | SN | WA | WC | WN | WP

premium finishes

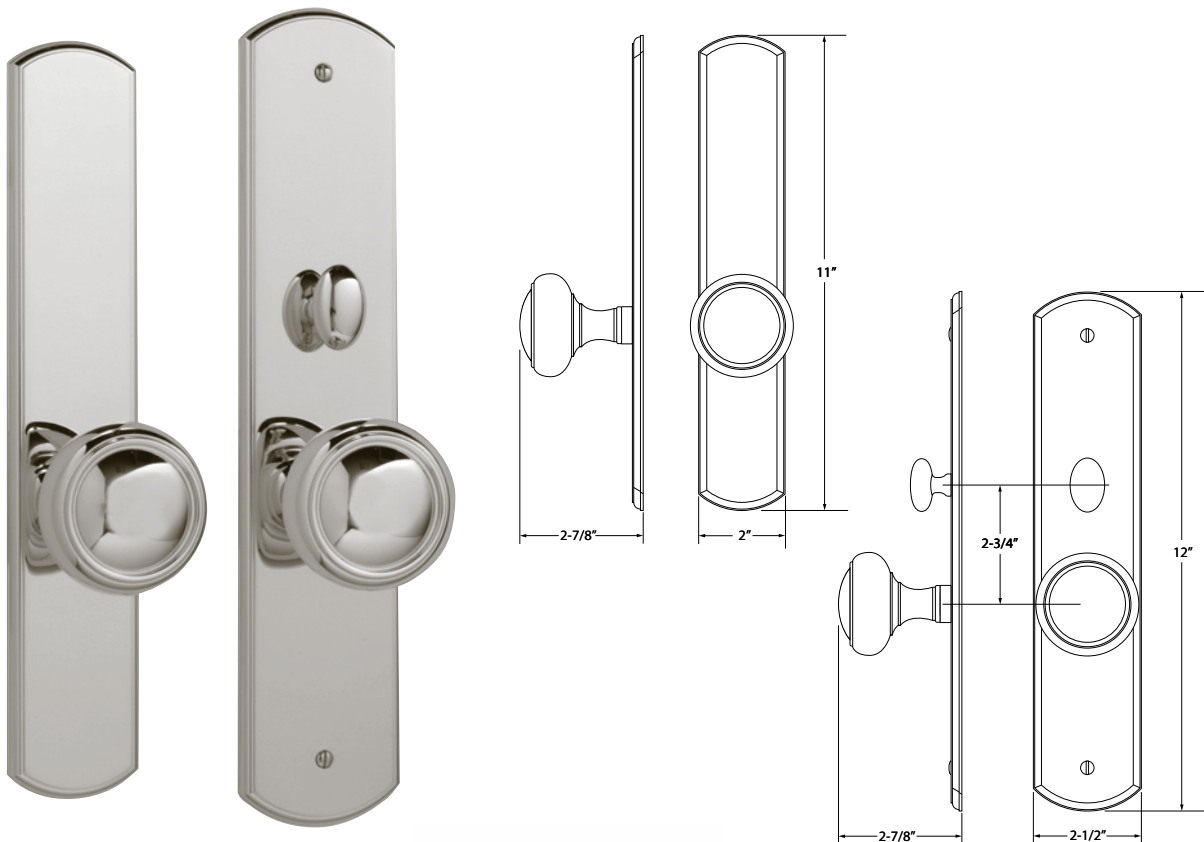
APS | APN | PB-PVD | PS | SS | SCR | PCR | SC
 gold plating available upon request

price list

page 5

material

solid brass



SET COMPONENTS

Interior Escutcheon Knob Set – Passage includes two escutcheons, two knobs, 4" straight spindle (8mm), passage latch (2-3/8" backset), faceplate, full lip strike, dust box and mounting hardware.

Interior Escutcheon Knob Set – Privacy includes two escutcheons with privacy pin hole, two knobs, one 4" swivel spindle (8mm), privacy latch (2-3/8" backset), privacy pin, faceplate, full lip strike, dust box and mounting hardware.

Interior Escutcheon Knob Set – Passage Latch x Mortise Bolt includes an exterior escutcheon with emergency egress hole, an interior escutcheon with turnpiece attached, two knobs, 4" straight spindle (8mm), passage latch (2-3/8" backset), latch faceplate, full lip strike, mortise bolt (2-3/8" backset), mortise bolt faceplate, mortise bolt strike, dust box and mounting hardware. NOTE: standard spacing between knob hub and mortise bolt hub is 2-3/4" c-c.

Interior Escutcheon Knob Set – Full Dummy includes two escutcheons, two knobs, 4" straight spindle (8mm), two dummy mounting plates and mounting hardware.

Interior Escutcheon Knob Set – Half Dummy includes an escutcheon, knob, dummy mount spindle and mounting hardware.

INTERIOR ESCUTCHEON SETS



Interior Escutcheon Sets – Knob

1-1/2" x 10" Escutcheon Sets

- 13620 Knob Escutcheon Set - PASSAGE
- 13622 Knob Escutcheon Set - LATCH x M/B
- 13623 Knob Escutcheon Set - FULL DUMMY
- 13624 Knob Escutcheon Set - HALF DUMMY

13625 Knob Escutcheon Mortise Set - PASSAGE

13626 Knob Escutcheon Mortise Set - PRIVACY

Above sets include 14240 Knob

2-1/4" x 7" Escutcheon Sets

- 13600 Knob Escutcheon Set - PASSAGE
- 13601 Knob Escutcheon Set - PRIVACY
- 13602 Knob Escutcheon Set - LATCH x M/B
- 13603 Knob Escutcheon Set - FULL DUMMY
- 13604 Knob Escutcheon Set - HALF DUMMY

13605 Knob Escutcheon Mortise Set - PASSAGE

13606 Knob Escutcheon Mortise Set - PRIVACY

Above sets include 14240 Knob

standard finishes

AB|ABB|BB|BZ|KN|PA|PB|PBNL|TN|WB|WZ
ABN|AN|AP|BN|MB|NC|PC|PN|SN|WA|WC|WN|WP

premium finishes

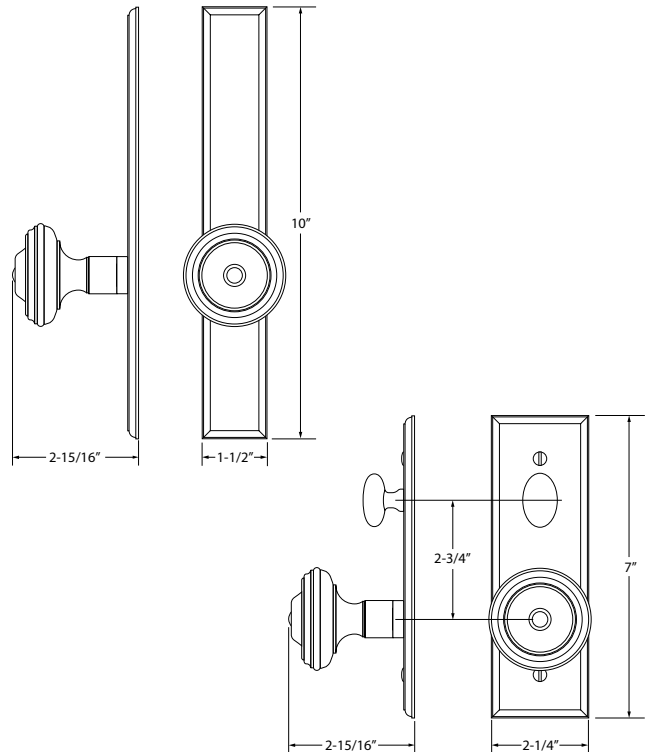
APS|APN|PB-PVD|PS|SS|SCR|PCR|SC
gold plating available upon request

price list

page 4

material

solid brass



HOW TO ORDER

- 1 Specify application.
- 2 Specify finish. If split finish required, please indicate exterior/interior.
- 3 Specify door thickness. Standard thickness is 1-3/4".
- 4 Specify hand of door – RH/LH.
- 5 Specify backset required. Standard is 2-3/8" for tubular.
Standard is 2-1/2" for mortise.

REMEMBER...

- 1 Consider utilizing an interior mortise lock for quality installations.
- 2 All knobs are interchangeable.
- 3 FULL LIP strikes are standard. Specify SUB 'T' strike, if required.
- 4 Standard backset is 2-3/8" for tubular. If required specify 2-3/4".
2-1/2" for mortise. If required specify 2-3/4".
- 5 Custom drilling available.
- 6 Combination strike and faceplate available for latch x mortise bolt function.
- 7 See page C-0 for edge and profile options.

Interior Escutcheon Sets – Knob

2" x 11" Escutcheon Sets

- 13640 Knob Escutcheon Set - PASSAGE
- 13642 Knob Escutcheon Set - LATCH x M/B
- 13643 Knob Escutcheon Set - FULL DUMMY
- 13644 Knob Escutcheon Set - HALF DUMMY

13645 Knob Escutcheon Mortise Set - PASSAGE

13646 Knob Escutcheon Mortise Set - PRIVACY

Above sets include 14240 Knob

2-1/2" x 12" Escutcheon Sets

- 13660 Knob Escutcheon Set - PASSAGE
- 13661 Knob Escutcheon Set - PRIVACY
- 13662 Knob Escutcheon Set - LATCH x M/B
- 13663 Knob Escutcheon Set - FULL DUMMY
- 13664 Knob Escutcheon Set - HALF DUMMY

13665 Knob Escutcheon Mortise Set - PASSAGE

13666 Knob Escutcheon Mortise Set - PRIVACY

Above sets include 14240 Knob

standard finishes

AB | ABB | BB | BZ | KN | PA | PB | PBNL | TN | WB | WZ
ABN | AN | AP | BN | MB | NC | PC | PN | SN | WA | WC | WN | WP

premium finishes

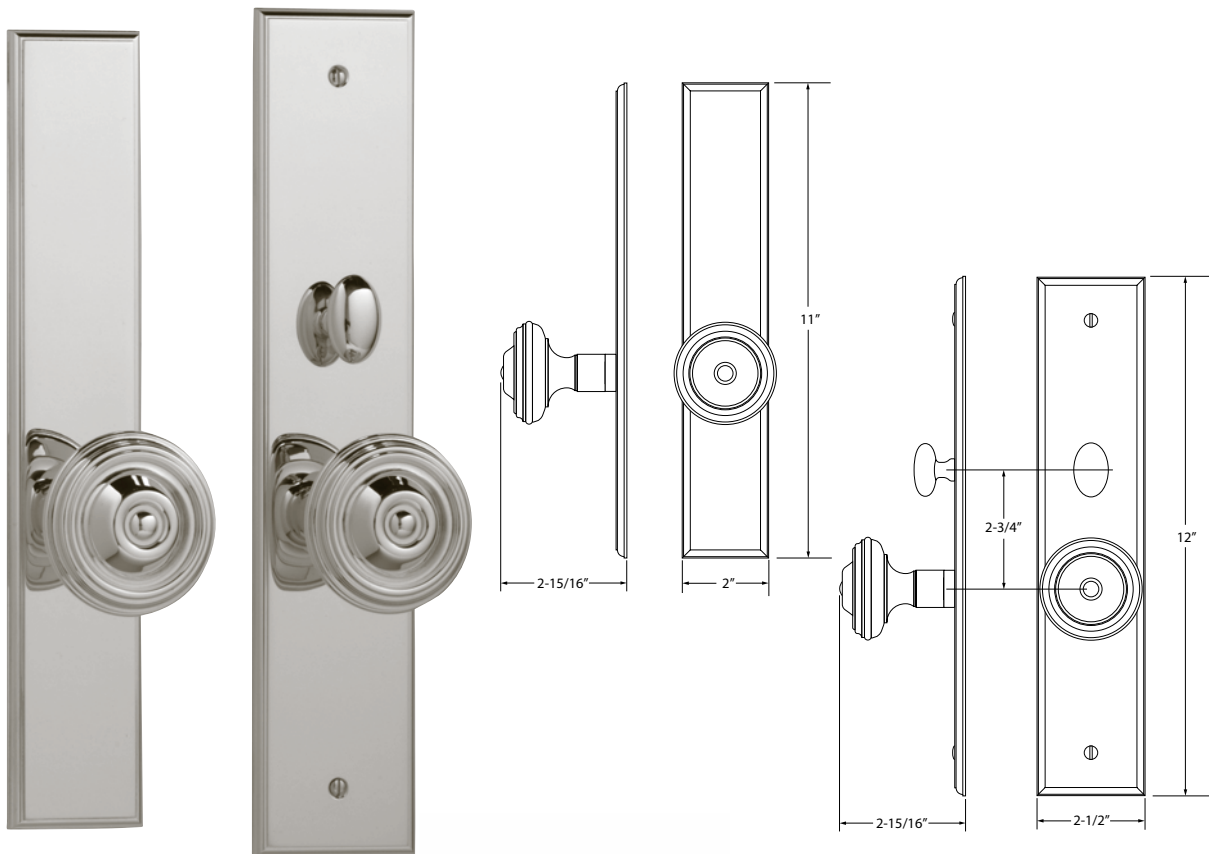
APS | APN | PB-PVD | PS | SS | SCR | PCR | SC
gold plating available upon request

price list

page 5

material

solid brass



SET COMPONENTS

Interior Escutcheon Knob Set – Passage includes two escutcheons, two knobs, 4" straight spindle (8mm), passage latch (2-3/8" backset), faceplate, full lip strike, dust box and mounting hardware.

Interior Escutcheon Knob Set – Privacy includes two escutcheons with privacy pin hole, two knobs, one 4" swivel spindle (8mm), privacy latch (2-3/8" backset), privacy pin, faceplate, full lip strike, dust box and mounting hardware.

Interior Escutcheon Knob Set – Passage Latch x Mortise Bolt includes an exterior escutcheon with emergency egress hole, an interior escutcheon with turnpiece attached, two knobs, 4" straight spindle (8mm), passage latch (2-3/8" backset), latch faceplate, full lip strike, mortise bolt (2-3/8" backset), mortise bolt faceplate, mortise bolt strike, dust box and mounting hardware. NOTE: standard spacing between knob hub and mortise bolt hub is 2-3/4" c-c.

Interior Escutcheon Knob Set – Full Dummy includes two escutcheons, two knobs, 4" straight spindle (8mm), two dummy mounting plates and mounting hardware.

Interior Escutcheon Knob Set – Half Dummy includes an escutcheon, knob, dummy mount spindle and mounting hardware.

Interior Escutcheon Sets – Lever

1-1/2" x 10" Escutcheon Sets

- 13730 Lever Escutcheon Set - PASSAGE
- 13732 Lever Escutcheon Set - LATCH x M/B
- 13733 Lever Escutcheon Set - FULL DUMMY
- 13734 Lever Escutcheon Set - HALF DUMMY

2-1/4" x 7" Escutcheon Sets

- 13710 Lever Escutcheon Set - PASSAGE
- 13711 Lever Escutcheon Set - PRIVACY
- 13712 Lever Escutcheon Set - LATCH x M/B
- 13713 Lever Escutcheon Set - FULL DUMMY
- 13714 Lever Escutcheon Set - HALF DUMMY

- 13735 Lever Escutcheon Mortise Set - PASSAGE
 - 13736 Lever Escutcheon Mortise Set - PRIVACY
- Above sets include 16080 Lever

- 13715 Lever Escutcheon Mortise Set - PASSAGE
 - 13716 Lever Escutcheon Mortise Set - PRIVACY
- Above sets include 16080 Lever

standard finishes

AB|ABB|BB|BZ|KN|PA|PB|PBNL|TN|WB|WZ
ABN|AN|AP|BN|MB|NC|PC|PN|SN|WA|WC|WN|WP

premium finishes

APS|APN|PB-PVD|PS|SS|SCR|PCR|SC
gold plating available upon request

price list

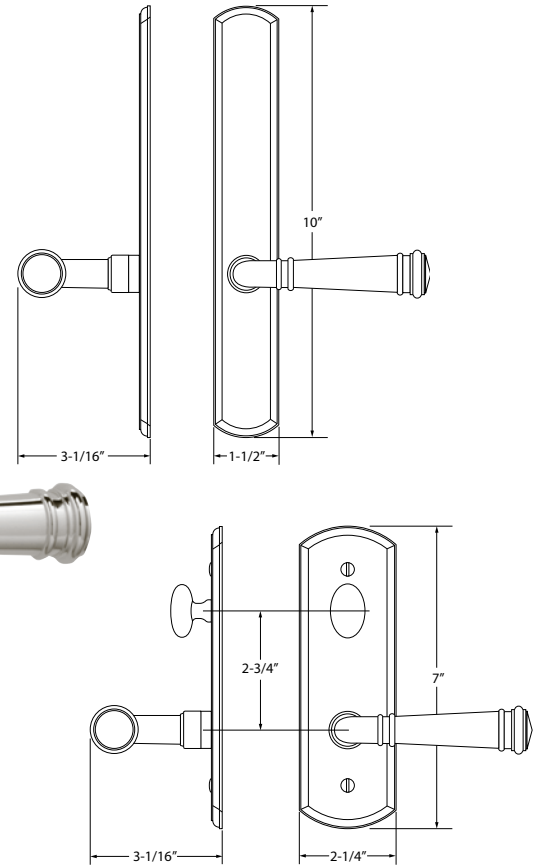
page 6

material

solid brass

ESCUTCHEON SETS

INTERIOR



HOW TO ORDER

- 1 Specify application.
- 2 Specify finish. If split finish required, please indicate exterior/interior.
- 3 Specify door thickness. Standard thickness is 1-3/4".
- 4 Specify hand of door – RH/LH.
- 5 Specify backset required. Standard is 2-3/8" for tubular.
Standard is 2-1/2" for mortise.

REMEMBER...

- 1 Consider utilizing an interior mortise lock for quality installations.
- 2 All levers are interchangeable.
- 3 FULL LIP strikes are standard. Specify SUB 'T' strike, if required.
- 4 Standard backset is 2-3/8" for tubular. If required specify 2-3/4".
2-1/2" for mortise. If required specify 2-3/4".
- 5 Custom drilling available.
- 6 Combination strike and faceplate available for latch x mortise bolt function.
- 7 See page C-0 for edge and profile options.

Interior Escutcheon Sets – Lever

2" x 11" Escutcheon Sets

- 13750 Lever Escutcheon Set - PASSAGE
- 13752 Lever Escutcheon Set - LATCH x M/B
- 13753 Lever Escutcheon Set - FULL DUMMY
- 13754 Lever Escutcheon Set - HALF DUMMY

13755 Lever Escutcheon Mortise Set - PASSAGE

13756 Lever Escutcheon Mortise Set - PRIVACY

Above sets include 16080 Lever

2-1/2" x 12" Escutcheon Sets

- 13770 Lever Escutcheon Set - PASSAGE
- 13771 Lever Escutcheon Set - PRIVACY
- 13772 Lever Escutcheon Set - LATCH x M/B
- 13773 Lever Escutcheon Set - FULL DUMMY
- 13774 Lever Escutcheon Set - HALF DUMMY

13775 Lever Escutcheon Mortise Set - PASSAGE

13776 Lever Escutcheon Mortise Set - PRIVACY

Above sets include 16080 Lever

standard finishes

AB | ABB | BB | BZ | KN | PA | PB | PBNL | TN | WB | WZ
 ABN | AN | AP | BN | MB | NC | PC | PN | SN | WA | WC | WN | WP

premium finishes

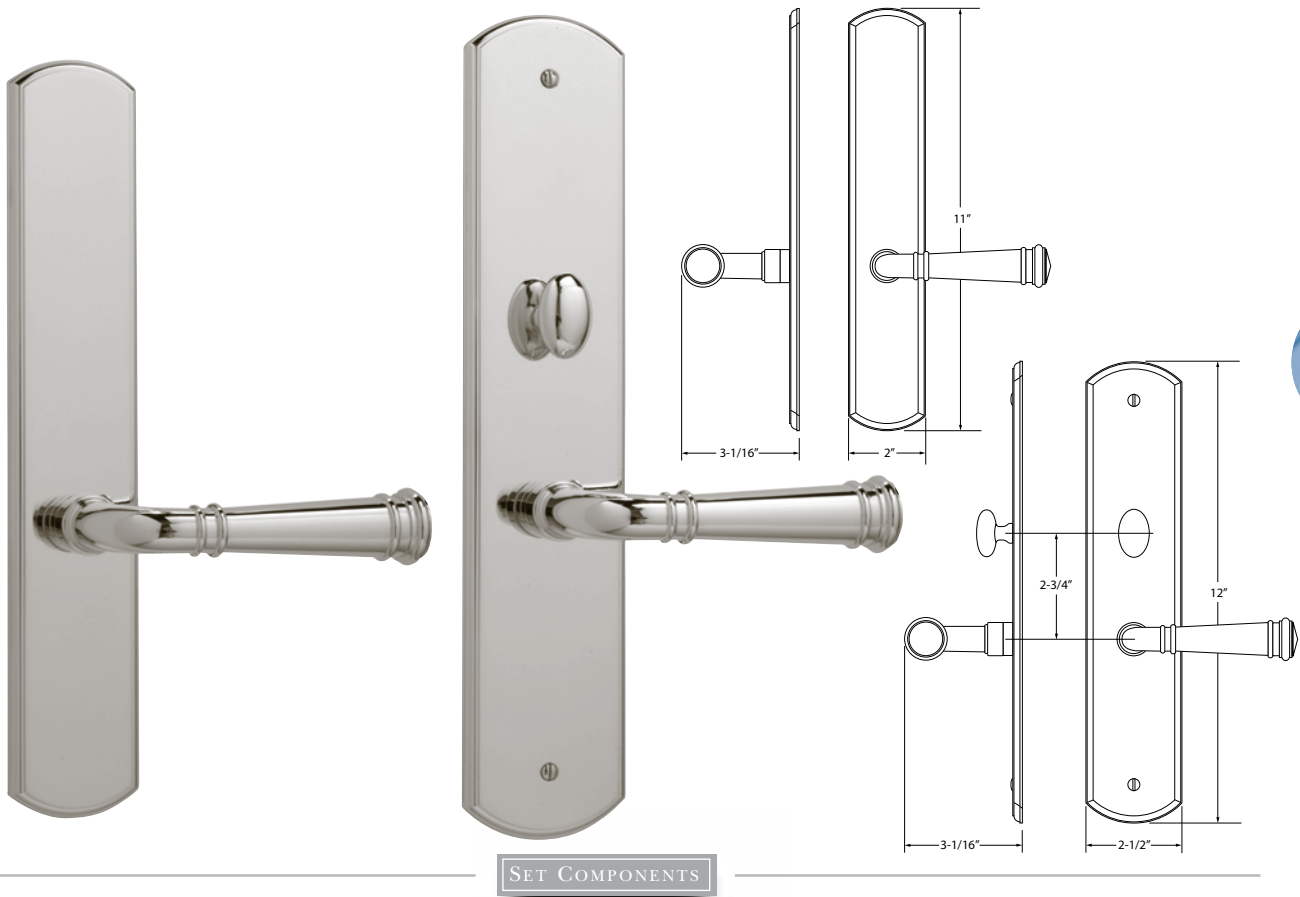
APS | APN | PB-PVD | PS | SS | SCR | PCR | SC
 gold plating available upon request

price list

page 7

material

solid brass



SET COMPONENTS

Interior Escutcheon Lever Set – Passage includes two escutcheons, two levers, 4" straight spindle (8mm), passage latch (2-3/8" backset), faceplate, full lip strike, dust box and mounting hardware.

Interior Escutcheon Lever Set – Privacy includes two escutcheons with privacy pin hole, two levers, one 4" swivel spindle (8mm), privacy latch (2-3/8" backset), privacy pin, faceplate, full lip strike, dust box and mounting hardware.

Interior Escutcheon Lever Set – Passage Latch x Mortise Bolt includes an exterior escutcheon with emergency egress hole, an interior escutcheon with turnpiece attached, two levers, 4" straight spindle (8mm), passage latch (2-3/8" backset), latch faceplate, full lip strike, mortise bolt (2-3/8" backset), mortise bolt faceplate, mortise bolt strike, dust box and mounting hardware. NOTE: standard spacing between lever hub and mortise bolt hub is 2-3/4" c-c.

Interior Escutcheon Lever Set – Full Dummy includes two escutcheons, two levers, 4" straight spindle (8mm), two dummy mounting plates and mounting hardware.

Interior Escutcheon Lever Set – Half Dummy includes an escutcheon, lever, dummy mount spindle and mounting hardware.

INTERIOR ESCUTCHEON SETS

Interior Escutcheon Sets – Lever

1-1/2" x 10" Escutcheon Sets

- 13720 Lever Escutcheon Set - PASSAGE
- 13722 Lever Escutcheon Set - LATCH x M/B
- 13723 Lever Escutcheon Set - FULL DUMMY
- 13724 Lever Escutcheon Set - HALF DUMMY

- 13725 Lever Escutcheon Mortise Set - PASSAGE
 - 13726 Lever Escutcheon Mortise Set - PRIVACY
- Above sets include 16200 Lever

2-1/4" x 7" Escutcheon Sets

- 13700 Lever Escutcheon Set - PASSAGE
- 13701 Lever Escutcheon Set - PRIVACY
- 13702 Lever Escutcheon Set - LATCH x M/B
- 13703 Lever Escutcheon Set - FULL DUMMY
- 13704 Lever Escutcheon Set - HALF DUMMY

- 13705 Lever Escutcheon Mortise Set - PASSAGE
 - 13706 Lever Escutcheon Mortise Set - PRIVACY
- Above sets include 16200 Lever

standard finishes

AB|ABB|BB|BZ|KN|PA|PB|PBNL|TN|WB|WZ
 ABN|AN|AP|BN|MB|NC|PC|PN|SN|WA|WC|WN|WP

premium finishes

APS|APN|PB-PVD|PS|SS|SCR|PCR|SC
 gold plating available upon request

price list

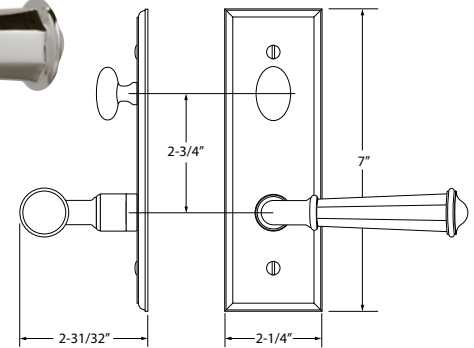
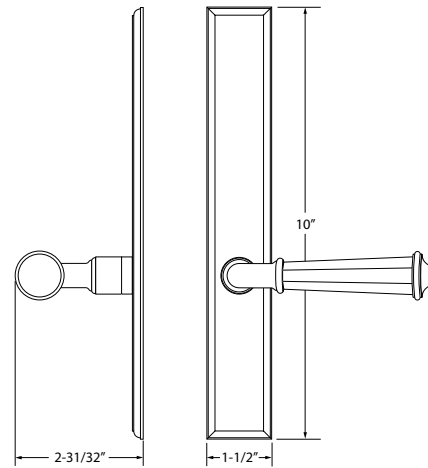
page 6

material

solid brass

ESCUTCHEON SETS

INTERIOR



HOW TO ORDER

- 1 Specify application.
- 2 Specify finish. If split finish required, please indicate exterior/interior.
- 3 Specify door thickness. Standard thickness is 1-3/4".
- 4 Specify hand of door – RH/LH.
- 5 Specify backset required. Standard is 2-3/8" for tubular.
Standard is 2-1/2" for mortise.

REMEMBER...

- 1 Consider utilizing an interior mortise lock for quality installations.
- 2 All levers are interchangeable.
- 3 FULL LIP strikes are standard. Specify SUB 'T' strike, if required.
- 4 Standard backset is 2-3/8" for tubular. If required specify 2-3/4".
2-1/2" for mortise. If required specify 2-3/4".
- 5 Custom drilling available.
- 6 Combination strike and faceplate available for latch x mortise bolt function.
- 7 See page C-0 for edge and profile options.

Interior Escutcheon Sets – Lever

2" x 11" Escutcheon Sets

- 13740 Lever Escutcheon Set - PASSAGE
- 13742 Lever Escutcheon Set - LATCH x M/B
- 13743 Lever Escutcheon Set - FULL DUMMY
- 13744 Lever Escutcheon Set - HALF DUMMY

13745 Lever Escutcheon Mortise Set - PASSAGE

13746 Lever Escutcheon Mortise Set - PRIVACY

Above sets include 16200 Lever

2-1/2" x 12" Escutcheon Sets

- 13760 Lever Escutcheon Set - PASSAGE
- 13761 Lever Escutcheon Set - PRIVACY
- 13762 Lever Escutcheon Set - LATCH x M/B
- 13763 Lever Escutcheon Set - FULL DUMMY
- 13764 Lever Escutcheon Set - HALF DUMMY

13765 Lever Escutcheon Mortise Set - PASSAGE

13766 Lever Escutcheon Mortise Set - PRIVACY

Above sets include 16200 Lever

standard finishes

AB | ABB | BB | BZ | KN | PA | PB | PBNL | TN | WB | WZ
 ABN | AN | AP | BN | MB | NC | PC | PN | SN | WA | WC | WN | WP

premium finishes

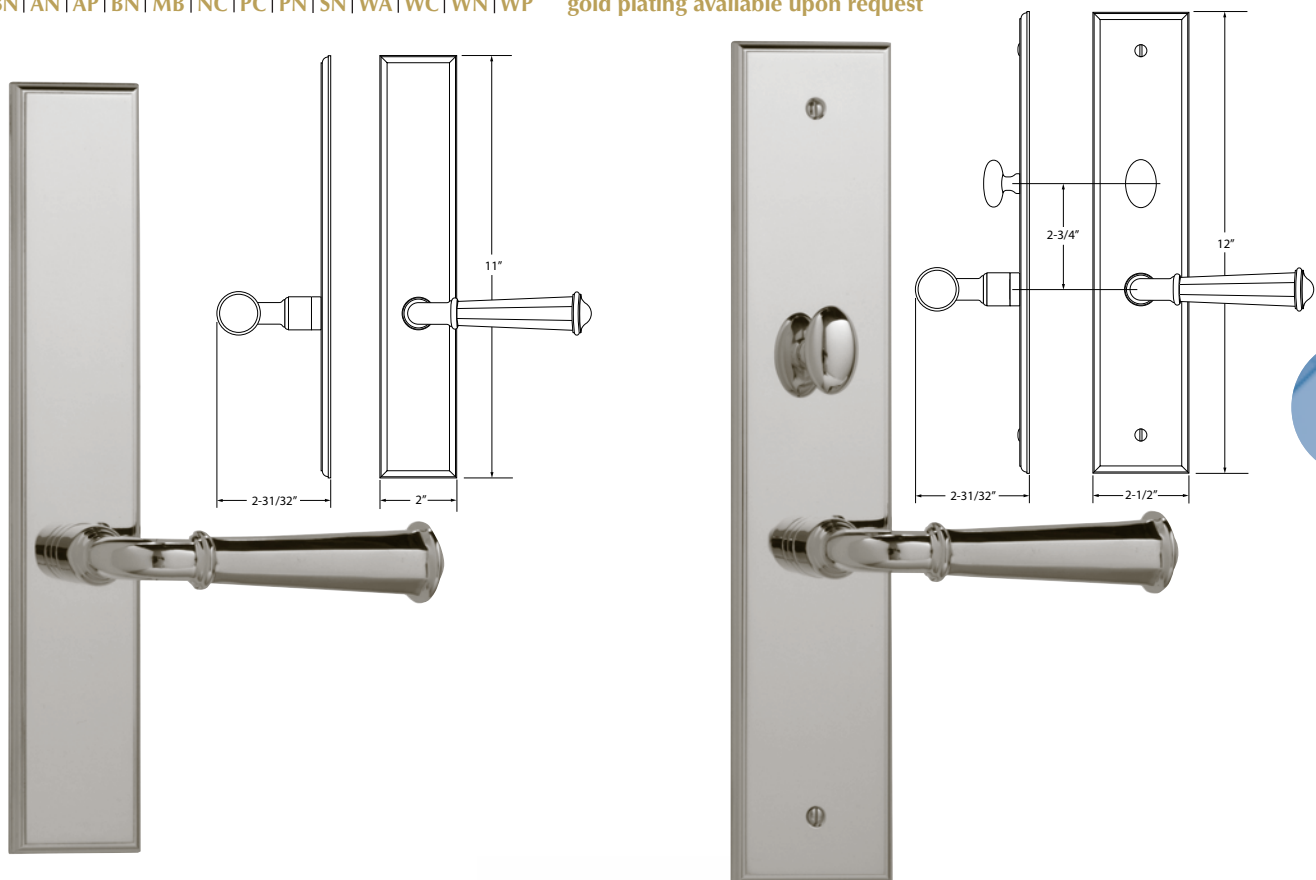
APS | APN | PB-PVD | PS | SS | SCR | PCR | SC
 gold plating available upon request

price list

page 6

material

solid brass



INTERIOR ESCUTCHEON SETS

SET COMPONENTS

Interior Escutcheon Lever Set – Passage includes two escutcheons, two levers, 4" straight spindle (8mm), passage latch (2-3/8" backset), faceplate, full lip strike, dust box and mounting hardware.

Interior Escutcheon Lever Set – Privacy includes two escutcheons with privacy pin hole, two levers, one 4" swivel spindle (8mm), privacy latch (2-3/8" backset), privacy pin, faceplate, full lip strike, dust box and mounting hardware.

Interior Escutcheon Lever Set – Passage Latch x Mortise Bolt includes an exterior escutcheon with emergency egress hole, an interior escutcheon with turnpiece attached, two levers, 4" straight spindle (8mm), passage latch (2-3/8" backset), latch faceplate, full lip strike, mortise bolt (2-3/8" backset), mortise bolt faceplate, mortise bolt strike, dust box and mounting hardware. NOTE: standard spacing between lever hub and mortise bolt hub is 2-3/4" c-c.

Interior Escutcheon Lever Set – Full Dummy includes two escutcheons, two levers, 4" straight spindle (8mm), two dummy mounting plates and mounting hardware.

Interior Escutcheon Lever Set – Half Dummy includes an escutcheon, lever, dummy mount spindle and mounting hardware.

Interior Knob Sets

2" Rose Sets

- 14001 Coin Knob Set - PASSAGE
- 14002 Coin Knob Set - PRIVACY
- 14003 Coin Knob Set - SECTIONAL PRIVACY
- 14004 Coin Knob Set - FULL DUMMY
- 14005 Coin Knob Set - HALF DUMMY

- 14008 Coin Knob Mortise Set - PASSAGE
- 14009 Coin Knob Mortise Set - PRIVACY

2-9/16" Rose Sets

- 14011 Coin Knob Set - PASSAGE
- 14012 Coin Knob Set - PRIVACY
- 14013 Coin Knob Set - SECTIONAL PRIVACY
- 14014 Coin Knob Set - FULL DUMMY
- 14015 Coin Knob Set - HALF DUMMY

- 14000 Coin Knob Only 2-1/4"
- 14082 Coin Rose Only 2"
- 14092 Coin Rose Only 2-9/16"

standard finishes

AB|ABB|BB|BZ|KN|PA|PB|PBNL|TN|WB|WZ
ABN|AN|AP|BN|MB|NC|PC|PN|SN|WA|WC|WN|WP

premium finishes

APS|APN|PB-PVD|PS|SS|SCR|PCR|SC
gold plating available upon request

price list

page 7

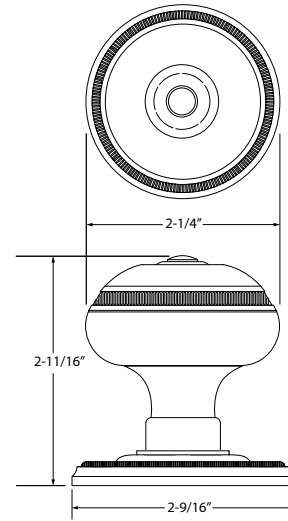
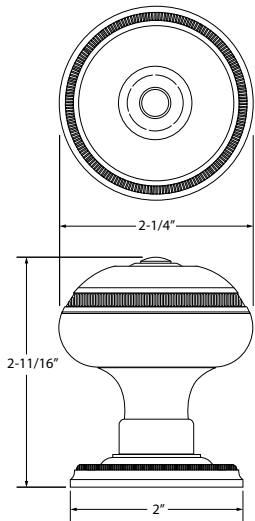
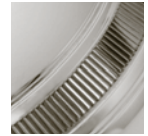
material

solid brass

KNOB SETS



INTERIOR



HOW TO ORDER

- 1 Specify application.
- 2 Specify finish. If split finish required, please indicate exterior/interior.
- 3 Specify door thickness. Standard thickness is 1-3/8".
- 4 Specify backset required. Standard backset is 2-3/8" for tubular. Standard backset is 2-1/2" for mortise.
- 5 Specify if pre-drilled adapters are required. (part #9749)
- 6 Specify hand and swing for mortise.

REMEMBER...

- 1 FULL LIP strikes are standard. Specify SUB 'T' strike, if required.
- 2 Consider utilizing an interior mortise lock for quality installations.
- 3 All knobs and roses are interchangeable.
- 4 Standard backset is 2-3/8" for tubular. If required specify 2-3/4". 2-1/2" for mortise. If required specify 2-3/4".

Interior Knob Sets

2" Rose Sets

- 14021 Cross Hatch Knob Set - PASSAGE
- 14022 Cross Hatch Knob Set - PRIVACY
- 14023 Cross Hatch Knob Set - SECTIONAL PRIVACY
- 14024 Cross Hatch Knob Set - FULL DUMMY
- 14025 Cross Hatch Knob Set - HALF DUMMY

- 14028 Cross Hatch Knob Mortise Set - PASSAGE
- 14029 Cross Hatch Knob Mortise Set - PRIVACY

2-9/16" Rose Sets

- 14031 Cross Hatch Knob Set - PASSAGE
- 14032 Cross Hatch Knob Set - PRIVACY
- 14033 Cross Hatch Knob Set - SECTIONAL PRIVACY
- 14034 Cross Hatch Knob Set - FULL DUMMY
- 14035 Cross Hatch Knob Set - HALF DUMMY

- 14020 Cross Hatch Knob Only 2-1/4"
- 14084 Cross Hatch Rose Only 2"
- 14094 Cross Hatch Rose Only 2-9/16"

standard finishes

AB | ABB | BB | BZ | KN | PA | PB | PBNL | TN | WB | WZ
 ABN | AN | AP | BN | MB | NC | PC | PN | SN | WA | WC | WN | WP

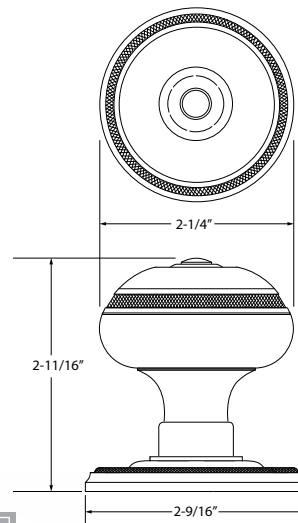
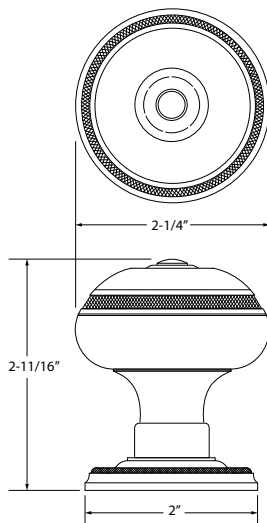
premium finishes

APS | APN | PB-PVD | PS | SS | SCR | PCR | SC
 gold plating available upon request

price list

page 8

material



SET COMPONENTS

Knob and Rosette – Passage Set includes two rosettes (passage), two knobs, passage latch (2-3/8" backset), full lip strike, latch faceplate, 4" straight spindle (8mm), two rosette mount plates, two rosette mount plate hubs, dust box and mounting hardware.

NOTE: if required, order pre-drilled adapter (part # 9749) separately.

Knob and Rosette – Privacy Set includes two rosettes (privacy), two knobs, privacy latch (2-3/8" backset), full lip strike, latch faceplate, 4" swivel spindle (8mm), two rosette mount plates, two rosette mount plate hubs, privacy pin, dust box and mounting hardware.

NOTE: if required, order pre-drilled adapter (part # 9749) separately.

Knob and Rosette – Full Dummy includes two rosettes, two knobs, 4" straight spindle (8mm), two dummy rosette mount plates, two rosette mount plate hubs and mounting hardware.

Knob and Rosette – Half Dummy includes rosette, knob, dummy mount spindle, rosette mount plate hub and mounting hardware.

INTERIOR

KNOB SETS



Interior Knob Sets

2" Rose Sets

- 14041 Knob Set - PASSAGE
- 14042 Knob Set - PRIVACY
- 14043 Knob Set - SECTIONAL PRIVACY
- 14044 Knob Set - FULL DUMMY
- 14045 Knob Set - HALF DUMMY

- 14048 Knob Mortise Set - PASSAGE
- 14049 Knob Mortise Set - PRIVACY

2-9/16" Rose Sets

- 14051 Knob Set - PASSAGE
- 14052 Knob Set - PRIVACY
- 14053 Knob Set - SECTIONAL PRIVACY
- 14054 Knob Set - FULL DUMMY
- 14055 Knob Set - HALF DUMMY

- 14040 Knob Only 2-1/4"
- 14080 Rose Only 2"
- 14090 Rose Only 2-9/16"

standard finishes

AB|ABB|BB|BZ|KN|PA|PB|PBNL|TN|WB|WZ
ABN|AN|AP|BN|MB|NC|PC|PN|SN|WA|WC|WN|WP

premium finishes

APS|APN|PB-PVD|PS|SS|SCR|PCR|SC
gold plating available upon request

price list

page 8

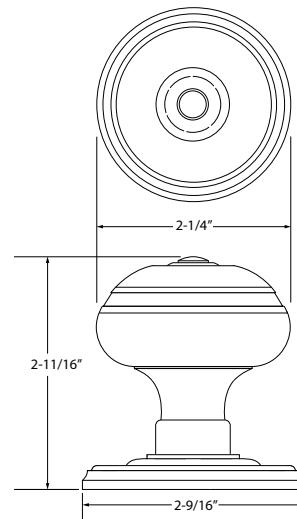
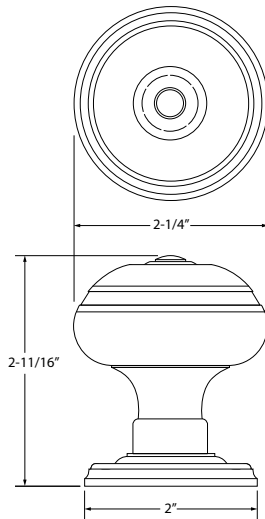
material

solid brass

KNOB SETS



INTERIOR



HOW TO ORDER

- 1 Specify application.
- 2 Specify finish. If split finish required, please indicate exterior/interior.
- 3 Specify door thickness. Standard thickness is 1-3/8".
- 4 Specify backset required. Standard backset is 2-3/8" for tubular. Standard backset is 2-1/2" for mortise.
- 5 Specify if pre-drilled adapters are required. (part #9749)
- 6 Specify hand and swing for mortise.

REMEMBER...

- 1 FULL LIP strikes are standard. Specify SUB 'T' strike, if required.
- 2 Consider utilizing an interior mortise lock for quality installations.
- 3 All knobs and roses are interchangeable.
- 4 Standard backset is 2-3/8" for tubular. If required specify 2-3/4". 2-1/2" for mortise. If required specify 2-3/4".

Interior Knob Sets

2" Rose Sets

- 14101 Coin Knob Set - PASSAGE
- 14102 Coin Knob Set - PRIVACY
- 14103 Coin Knob Set - SECTIONAL PRIVACY
- 14104 Coin Knob Set - FULL DUMMY
- 14105 Coin Knob Set - HALF DUMMY

- 14108 Coin Knob Mortise Set - PASSAGE
- 14109 Coin Knob Mortise Set - PRIVACY

2-9/16" Rose Sets

- 14111 Coin Knob Set - PASSAGE
- 14112 Coin Knob Set - PRIVACY
- 14113 Coin Knob Set - SECTIONAL PRIVACY
- 14114 Coin Knob Set - FULL DUMMY
- 14115 Coin Knob Set - HALF DUMMY

- 14100 Coin Knob Only 2-1/4"
- 14082 Coin Rose Only 2"
- 14092 Coin Rose Only 2-9/16"

standard finishes

AB | ABB | BB | BZ | KN | PA | PB | PBNL | TN | WB | WZ
 ABN | AN | AP | BN | MB | NC | PC | PN | SN | WA | WC | WN | WP

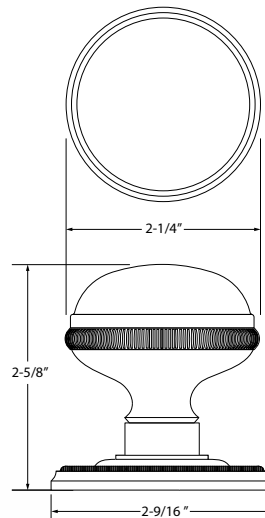
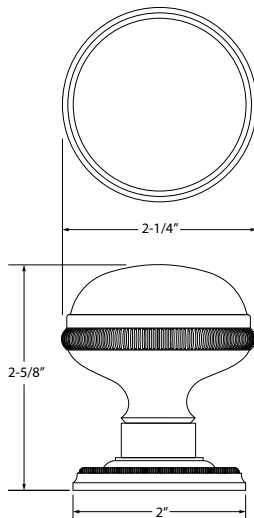
premium finishes

APS | APN | PB-PVD | PS | SS | SCR | PCR | SC
 gold plating available upon request

price list

page 9

material



SET COMPONENTS

Knob and Rosette – Passage Set includes two rosettes (passage), two knobs, passage latch (2-3/8" backset), full lip strike, latch faceplate, 4" straight spindle (8mm), two rosette mount plates, two rosette mount plate hubs, dust box and mounting hardware.

NOTE: if required, order pre-drilled adapter (part # 9749) separately.

Knob and Rosette – Privacy Set includes two rosettes (privacy), two knobs, privacy latch (2-3/8" backset), full lip strike, latch faceplate, 4" swivel spindle (8mm), two rosette mount plates, two rosette mount plate hubs, privacy pin, dust box and mounting hardware.

NOTE: if required, order pre-drilled adapter (part # 9749) separately.

Knob and Rosette – Full Dummy includes two rosettes, two knobs, 4" straight spindle (8mm), two dummy rosette mount plates, two rosette mount plate hubs and mounting hardware.

Knob and Rosette – Half Dummy includes rosette, knob, dummy mount spindle, rosette mount plate hub and mounting hardware.

INTERIOR

KNOB SETS



Interior Knob Sets

2" Rose Sets

- 14121 Rope Knob Set - PASSAGE
- 14122 Rope Knob Set - PRIVACY
- 14123 Rope Knob Set - SECTIONAL PRIVACY
- 14124 Rope Knob Set - FULL DUMMY
- 14125 Rope Knob Set - HALF DUMMY

- 14128 Rope Knob Mortise Set - PASSAGE
- 14129 Rope Knob Mortise Set - PRIVACY

2-9/16" Rose Sets

- 14131 Rope Knob Set - PASSAGE
- 14132 Rope Knob Set - PRIVACY
- 14133 Rope Knob Set - SECTIONAL PRIVACY
- 14134 Rope Knob Set - FULL DUMMY
- 14135 Rope Knob Set - HALF DUMMY

- 14120 Rope Knob Only 2-1/4"
- 14081 Rope Rose Only 2"
- 14091 Rope Rose Only 2-9/16"

standard finishes

AB|ABB|BB|BZ|KN|PA|PB|PBNL|TN|WB|WZ
 ABN|AN|AP|BN|MB|NC|PC|PN|SN|WA|WC|WN|WP

premium finishes

APS|APN|PB-PVD|PS|SS|SCR|PCR|SC
 gold plating available upon request

price list

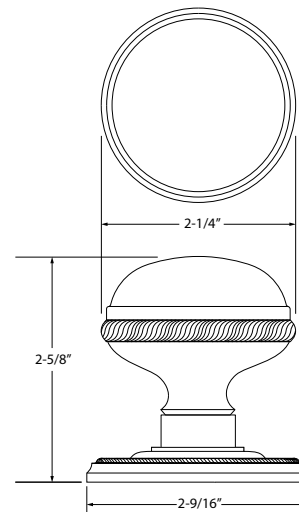
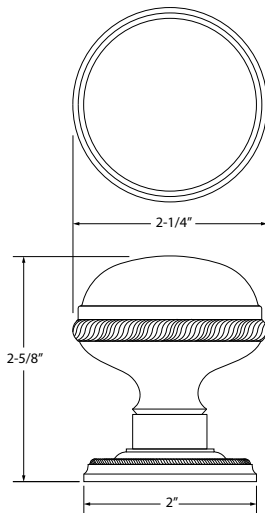
page 9

material

solid brass

KNOB SETS

INTERIOR



HOW TO ORDER

- 1 Specify application.
- 2 Specify finish. If split finish required, please indicate exterior/interior.
- 3 Specify door thickness. Standard thickness is 1-3/8".
- 4 Specify backset required. Standard backset is 2-3/8" for tubular. Standard backset is 2-1/2" for mortise.
- 5 Specify if pre-drilled adapters are required. (part #9749)
- 6 Specify hand and swing for mortise.

REMEMBER...

- 1 FULL LIP strikes are standard. Specify SUB 'T' strike, if required.
- 2 Consider utilizing an interior mortise lock for quality installations.
- 3 All knobs and roses are interchangeable.
- 4 Standard backset is 2-3/8" for tubular. If required specify 2-3/4". 2-1/2" for mortise. If required specify 2-3/4".

Interior Knob Sets

2" Rose Sets

- 14141 Knob Set - PASSAGE
- 14142 Knob Set - PRIVACY
- 14143 Knob Set - SECTIONAL PRIVACY
- 14144 Knob Set - FULL DUMMY
- 14145 Knob Set - HALF DUMMY

- 14148 Knob Mortise Set - PASSAGE
- 14149 Knob Mortise Set - PRIVACY

2-9/16" Rose Sets

- 14151 Knob Set - PASSAGE
- 14152 Knob Set - PRIVACY
- 14153 Knob Set - SECTIONAL PRIVACY
- 14154 Knob Set - FULL DUMMY
- 14155 Knob Set - HALF DUMMY

- 14140 Knob Only 2-1/4"
- 14080 Rose Only 2"
- 14090 Rose Only 2-9/16"

standard finishes

AB | ABB | BB | BZ | KN | PA | PB | PBNL | TN | WB | WZ
 ABN | AN | AP | BN | MB | NC | PC | PN | SN | WA | WC | WN | WP

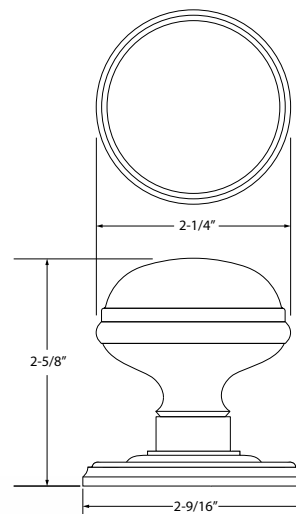
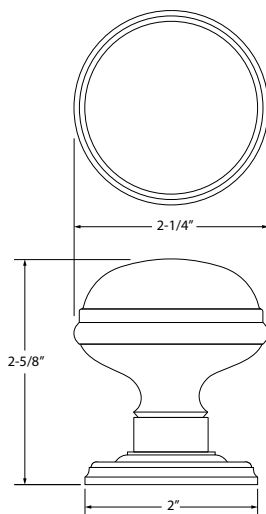
premium finishes

APS | APN | PB-PVD | PS | SS | SCR | PCR | SC
 gold plating available upon request

price list

page 9

material



SET COMPONENTS

Knob and Rosette – Passage Set includes two rosettes (passage), two knobs, passage latch (2-3/8" backset), full lip strike, latch faceplate, 4" straight spindle (8mm), two rosette mount plates, two rosette mount plate hubs, dust box and mounting hardware.

NOTE: if required, order pre-drilled adapter (part # 9749) separately.

Knob and Rosette – Privacy Set includes two rosettes (privacy), two knobs, privacy latch (2-3/8" backset), full lip strike, latch faceplate, 4" swivel spindle (8mm), two rosette mount plates, two rosette mount plate hubs, privacy pin, dust box and mounting hardware.

NOTE: if required, order pre-drilled adapter (part # 9749) separately.

Knob and Rosette – Full Dummy includes two rosettes, two knobs, 4" straight spindle (8mm), two dummy rosette mount plates, two rosette mount plate hubs and mounting hardware.

Knob and Rosette – Half Dummy includes rosette, knob, dummy mount spindle, rosette mount plate hub and mounting hardware.

INTERIOR

KNOB SETS

Interior Knob Sets

2" Rose Sets

- 14201 Rope Knob Set - PASSAGE
- 14202 Rope Knob Set - PRIVACY
- 14203 Rope Knob Set - SECTIONAL PRIVACY
- 14204 Rope Knob Set - FULL DUMMY
- 14205 Rope Knob Set - HALF DUMMY

- 14208 Rope Knob Mortise Set - PASSAGE
- 14209 Rope Knob Mortise Set - PRIVACY

2-9/16" Rose Sets

- 14211 Rope Knob Set - PASSAGE
- 14212 Rope Knob Set - PRIVACY
- 14213 Rope Knob Set - SECTIONAL PRIVACY
- 14214 Rope Knob Set - FULL DUMMY
- 14215 Rope Knob Set - HALF DUMMY

- 14200 Rope Knob Only 2-3/8"
- 14081 Rope Rose Only 2"
- 14091 Rope Rose Only 2-9/16"

standard finishes

AB|ABB|BB|BZ|KN|PA|PB|PBNL|TN|WB|WZ
 ABN|AN|AP|BN|MB|NC|PC|PN|SN|WA|WC|WN|WP

premium finishes

APS|APN|PB-PVD|PS|SS|SCR|PCR|SC
 gold plating available upon request

price list

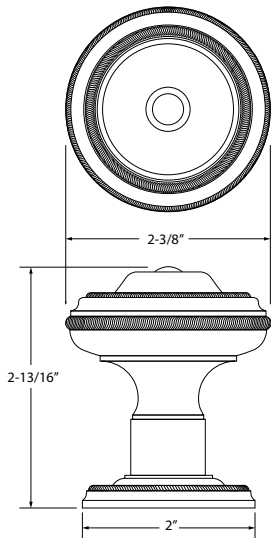
page 10

material

solid brass

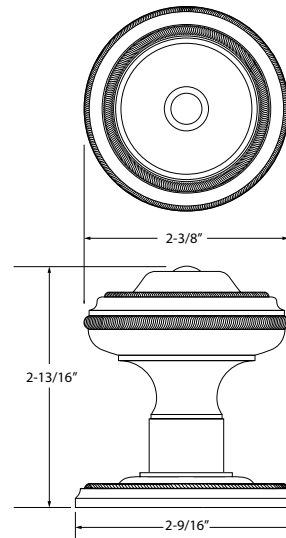
KNOB SETS

INTERIOR



HOW TO ORDER

- 1 Specify application.
- 2 Specify finish. If split finish required, please indicate exterior/interior.
- 3 Specify door thickness. Standard thickness is 1-3/8".
- 4 Specify backset required. Standard backset is 2-3/8" for tubular. Standard backset is 2-1/2" for mortise.
- 5 Specify if pre-drilled adapters are required. (part #9749)
- 6 Specify hand and swing for mortise.



REMEMBER...

- 1 FULL LIP strikes are standard. Specify SUB 'T' strike, if required.
- 2 Consider utilizing an interior mortise lock for quality installations.
- 3 All knobs and roses are interchangeable.
- 4 Standard backset is 2-3/8" for tubular. If required specify 2-3/4". 2-1/2" for mortise. If required specify 2-3/4".

Interior Knob Sets

2" Rose Sets

- 14221 Cross Hatch Knob Set - PASSAGE
- 14222 Cross Hatch Knob Set - PRIVACY
- 14223 Cross Hatch Knob Set - SECTIONAL PRIVACY
- 14224 Cross Hatch Knob Set - FULL DUMMY
- 14225 Cross Hatch Knob Set - HALF DUMMY

- 14228 Cross Hatch Knob Mortise Set - PASSAGE
- 14229 Cross Hatch Knob Mortise Set - PRIVACY

2-9/16" Rose Sets

- 14231 Cross Hatch Knob Set - PASSAGE
- 14232 Cross Hatch Knob Set - PRIVACY
- 14233 Cross Hatch Knob Set - SECTIONAL PRIVACY
- 14234 Cross Hatch Knob Set - FULL DUMMY
- 14235 Cross Hatch Knob Set - HALF DUMMY

- 14220 Cross Hatch Knob Only 2-3/8"
- 14084 Cross Hatch Rose Only 2"
- 14094 Cross Hatch Rose Only 2-9/16"

standard finishes

AB | ABB | BB | BZ | KN | PA | PB | PBNL | TN | WB | WZ
 ABN | AN | AP | BN | MB | NC | PC | PN | SN | WA | WC | WN | WP

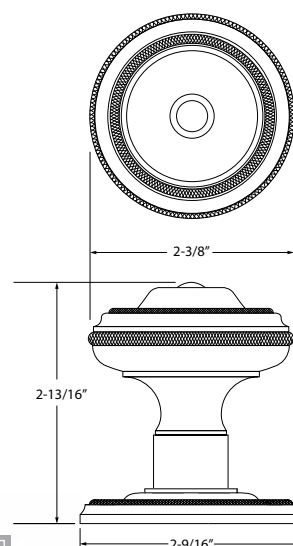
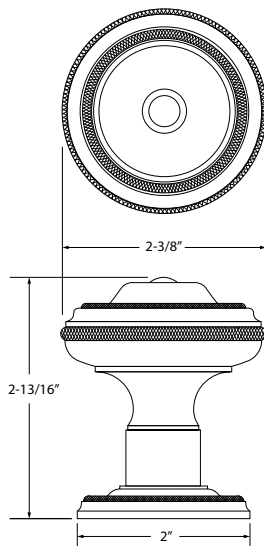
premium finishes

APS | APN | PB-PVD | PS | SS | SCR | PCR | SC
 gold plating available upon request

price list

page 10

material



SET COMPONENTS

Knob and Rosette – Passage Set includes two rosettes (passage), two knobs, passage latch (2-3/8" backset), full lip strike, latch faceplate, 4" straight spindle (8mm), two rosette mount plates, two rosette mount plate hubs, dust box and mounting hardware.

NOTE: if required, order pre-drilled adapter (part # 9749) separately.

Knob and Rosette – Privacy Set includes two rosettes (privacy), two knobs, privacy latch (2-3/8" backset), full lip strike, latch faceplate, 4" swivel spindle (8mm), two rosette mount plates, two rosette mount plate hubs, privacy pin, dust box and mounting hardware.

NOTE: if required, order pre-drilled adapter (part # 9749) separately.

Knob and Rosette – Full Dummy includes two rosettes, two knobs, 4" straight spindle (8mm), two dummy rosette mount plates, two rosette mount plate hubs and mounting hardware.

Knob and Rosette – Half Dummy includes rosette, knob, dummy mount spindle, rosette mount plate hub and mounting hardware.

INTERIOR

KNOB SETS

Interior Knob Sets

2" Rose Sets

- 14241 Knob Set - PASSAGE
- 14242 Knob Set - PRIVACY
- 14243 Knob Set - SECTIONAL PRIVACY
- 14244 Knob Set - FULL DUMMY
- 14245 Knob Set - HALF DUMMY

- 14248 Knob Mortise Set - PASSAGE
- 14249 Knob Mortise Set - PRIVACY

2-9/16" Rose Sets

- 14251 Knob Set - PASSAGE
- 14252 Knob Set - PRIVACY
- 14253 Knob Set - SECTIONAL PRIVACY
- 14254 Knob Set - FULL DUMMY
- 14255 Knob Set - HALF DUMMY

- 14240 Knob Only 2-3/8"
- 14080 Rose Only 2"
- 14090 Rose Only 2-9/16"

standard finishes

AB|ABB|BB|BZ|KN|PA|PB|PBNL|TN|WB|WZ
 ABN|AN|AP|BN|MB|NC|PC|PN|SN|WA|WC|WN|WP

premium finishes

APS|APN|PB-PVD|PS|SS|SCR|PCR|SC
 gold plating available upon request

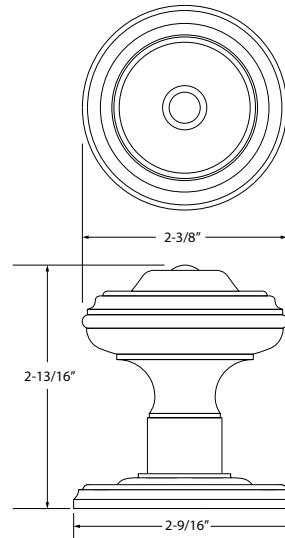
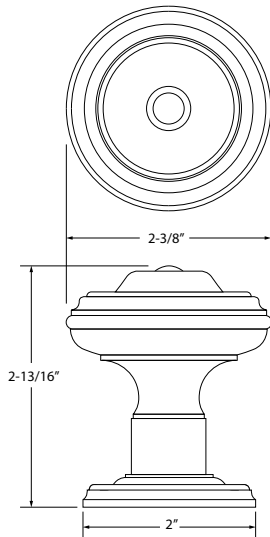
price list

page 11

material

solid brass

KNOB SETS



HOW TO ORDER

- 1 Specify application.
- 2 Specify finish. If split finish required, please indicate exterior/interior.
- 3 Specify door thickness. Standard thickness is 1-3/8".
- 4 Specify backset required. Standard backset is 2-3/8" for tubular.
Standard backset is 2-1/2" for mortise.
- 5 Specify if pre-drilled adapters are required. (part #9749)
- 6 Specify hand and swing for mortise.

REMEMBER...

- 1 FULL LIP strikes are standard. Specify SUB 'T' strike, if required.
- 2 Consider utilizing an interior mortise lock for quality installations.
- 3 All knobs and roses are interchangeable.
- 4 Standard backset is 2-3/8" for tubular. If required specify 2-3/4".
2-1/2" for mortise. If required specify 2-3/4".

Interior Knob Sets

2" Rose Sets

- 14261 Coin Knob Set - PASSAGE
- 14262 Coin Knob Set - PRIVACY
- 14263 Coin Knob Set - SECTIONAL PRIVACY
- 14264 Coin Knob Set - FULL DUMMY
- 14265 Coin Knob Set - HALF DUMMY

- 14268 Coin Knob Mortise Set - PASSAGE
- 14269 Coin Knob Mortise Set - PRIVACY

2-9/16" Rose Sets

- 14271 Coin Knob Set - PASSAGE
- 14272 Coin Knob Set - PRIVACY
- 14273 Coin Knob Set - SECTIONAL PRIVACY
- 14274 Coin Knob Set - FULL DUMMY
- 14275 Coin Knob Set - HALF DUMMY

- 14260 Coin Knob Only 2-3/8"
- 14082 Coin Rose Only 2"
- 14092 Coin Rose Only 2-9/16"

standard finishes

AB | ABB | BB | BZ | KN | PA | PB | PBNL | TN | WB | WZ
 ABN | AN | AP | BN | MB | NC | PC | PN | SN | WA | WC | WN | WP

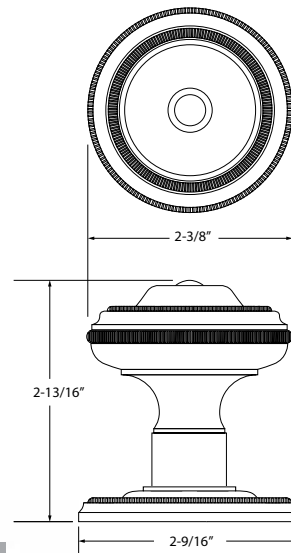
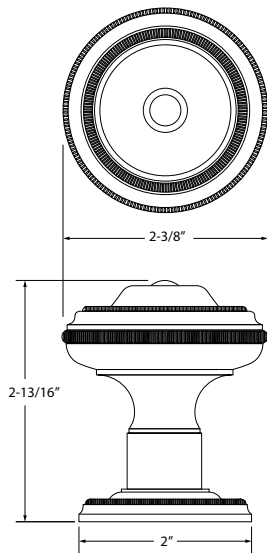
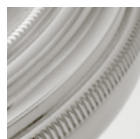
premium finishes

APS | APN | PB-PVD | PS | SS | SCR | PCR | SC
 gold plating available upon request

price list

page 11

material



SET COMPONENTS

Knob and Rosette – Passage Set includes two rosettes (passage), two knobs, passage latch (2-3/8" backset), full lip strike, latch faceplate, 4" straight spindle (8mm), two rosette mount plates, two rosette mount plate hubs, dust box and mounting hardware.

NOTE: if required, order pre-drilled adapter (part # 9749) separately.

Knob and Rosette – Privacy Set includes two rosettes (privacy), two knobs, privacy latch (2-3/8" backset), full lip strike, latch faceplate, 4" swivel spindle (8mm), two rosette mount plates, two rosette mount plate hubs, privacy pin, dust box and mounting hardware.

NOTE: if required, order pre-drilled adapter (part # 9749) separately.

Knob and Rosette – Full Dummy includes two rosettes, two knobs, 4" straight spindle (8mm), two dummy rosette mount plates, two rosette mount plate hubs and mounting hardware.

Knob and Rosette – Half Dummy includes rosette, knob, dummy mount spindle, rosette mount plate hub and mounting hardware.

INTERIOR

KNOB SETS



Interior Knob Sets

2" Rose Sets

- 14301 Bead Knob Set - PASSAGE
- 14302 Bead Knob Set - PRIVACY
- 14303 Bead Knob Set - SECTIONAL PRIVACY
- 14304 Bead Knob Set - FULL DUMMY
- 14305 Bead Knob Set - HALF DUMMY

- 14308 Bead Knob Mortise Set - PASSAGE
- 14309 Bead Knob Mortise Set - PRIVACY

2-9/16" Rose Sets

- 14311 Bead Knob Set - PASSAGE
- 14312 Bead Knob Set - PRIVACY
- 14313 Bead Knob Set - SECTIONAL PRIVACY
- 14314 Bead Knob Set - FULL DUMMY
- 14315 Bead Knob Set - HALF DUMMY

- 14300 Bead Knob Only 2-3/8"
- 14083 Bead Rose Only 2"
- 14093 Bead Rose Only 2-9/16"

standard finishes

AB|ABB|BB|BZ|KN|PA|PB|PBNL|TN|WB|WZ
ABN|AN|AP|BN|MB|NC|PC|PN|SN|WA|WC|WN|WP

premium finishes

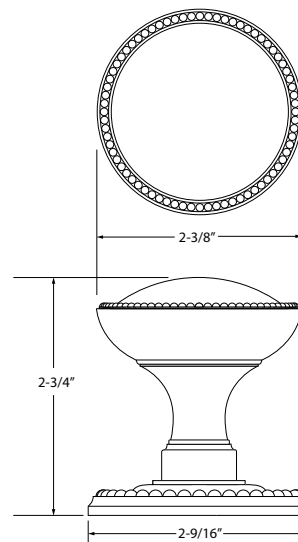
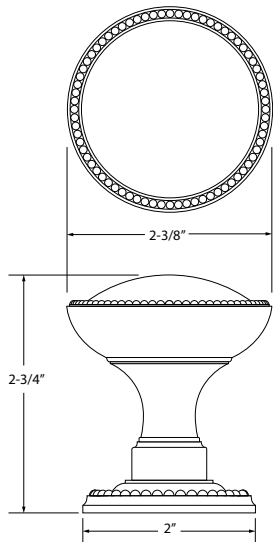
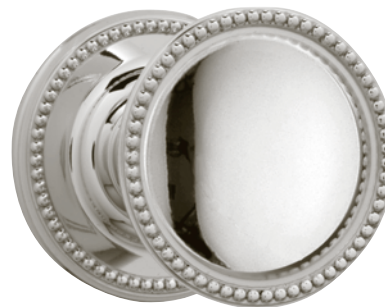
APS|APN|PB-PVD|PS|SS|SCR|PCR|SC
gold plating available upon request

price list

page 12

material

solid brass



HOW TO ORDER

- 1 Specify application.
- 2 Specify finish. If split finish required, please indicate exterior/interior.
- 3 Specify door thickness. Standard thickness is 1-3/8".
- 4 Specify backset required. Standard backset is 2-3/8" for tubular.
Standard backset is 2-1/2" for mortise.
- 5 Specify if pre-drilled adapters are required. (part #9749)
- 6 Specify hand and swing for mortise.

REMEMBER...

- 1 FULL LIP strikes are standard. Specify SUB 'T' strike, if required.
- 2 Consider utilizing an interior mortise lock for quality installations.
- 3 All knobs and roses are interchangeable.
- 4 Standard backset is 2-3/8" for tubular. If required specify 2-3/4".
2-1/2" for mortise. If required specify 2-3/4".

KNOB SETS

INTERIOR

Interior Knob Sets

2" Rose Sets

- 14321 Rope Knob Set - PASSAGE
- 14322 Rope Knob Set - PRIVACY
- 14323 Rope Knob Set - SECTIONAL PRIVACY
- 14324 Rope Knob Set - FULL DUMMY
- 14325 Rope Knob Set - HALF DUMMY

- 14328 Rope Knob Mortise Set - PASSAGE
- 14329 Rope Knob Mortise Set - PRIVACY

2-9/16" Rose Sets

- 14331 Rope Knob Set - PASSAGE
- 14332 Rope Knob Set - PRIVACY
- 14333 Rope Knob Set - SECTIONAL PRIVACY
- 14334 Rope Knob Set - FULL DUMMY
- 14335 Rope Knob Set - HALF DUMMY

- 14320 Rope Knob Only 2-3/8"
- 14081 Rope Rose Only 2"
- 14091 Rope Rose Only 2-9/16"

standard finishes

AB | ABB | BB | BZ | KN | PA | PB | PBNL | TN | WB | WZ
 ABN | AN | AP | BN | MB | NC | PC | PN | SN | WA | WC | WN | WP

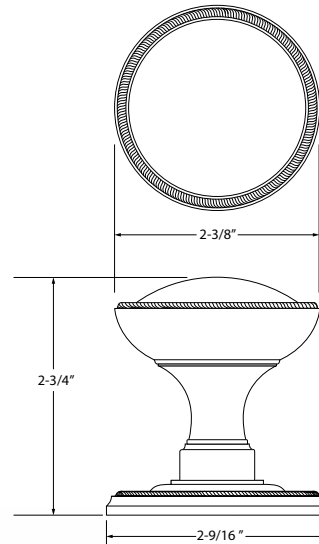
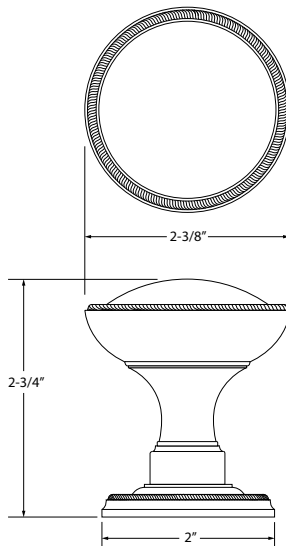
premium finishes

APS | APN | PB-PVD | PS | SS | SCR | PCR | SC
 gold plating available upon request

price list

page 12

material



SET COMPONENTS

Knob and Rosette – Passage Set includes two rosettes (passage), two knobs, passage latch (2-3/8" backset), full lip strike, latch faceplate, 4" straight spindle (8mm), two rosette mount plates, two rosette mount plate hubs, dust box and mounting hardware.

NOTE: if required, order pre-drilled adapter (part # 9749) separately.

Knob and Rosette – Privacy Set includes two rosettes (privacy), two knobs, privacy latch (2-3/8" backset), full lip strike, latch faceplate, 4" swivel spindle (8mm), two rosette mount plates, two rosette mount plate hubs, privacy pin, dust box and mounting hardware.

NOTE: if required, order pre-drilled adapter (part # 9749) separately.

Knob and Rosette – Full Dummy includes two rosettes, two knobs, 4" straight spindle (8mm), two dummy rosette mount plates, two rosette mount plate hubs and mounting hardware.

Knob and Rosette – Half Dummy includes rosette, knob, dummy mount spindle, rosette mount plate hub and mounting hardware.

INTERIOR KNOB SETS



Interior Knob Sets

2" Rose Sets

- 14341 Coin Knob Set - PASSAGE
- 14342 Coin Knob Set - PRIVACY
- 14343 Coin Knob Set - SECTIONAL PRIVACY
- 14344 Coin Knob Set - FULL DUMMY
- 14345 Coin Knob Set - HALF DUMMY

- 14348 Coin Knob Mortise Set - PASSAGE
- 14349 Coin Knob Mortise Set - PRIVACY

2-9/16" Rose Sets

- 14351 Coin Knob Set - PASSAGE
- 14352 Coin Knob Set - PRIVACY
- 14353 Coin Knob Set - SECTIONAL PRIVACY
- 14354 Coin Knob Set - FULL DUMMY
- 14355 Coin Knob Set - HALF DUMMY

- 14340 Coin Knob Only 2-3/8"
- 14082 Coin Rose Only 2"
- 14092 Coin Rose Only 2-9/16"

standard finishes

AB|ABB|BB|BZ|KN|PA|PB|PBNL|TN|WB|WZ
ABN|AN|AP|BN|MB|NC|PC|PN|SN|WA|WC|WN|WP

premium finishes

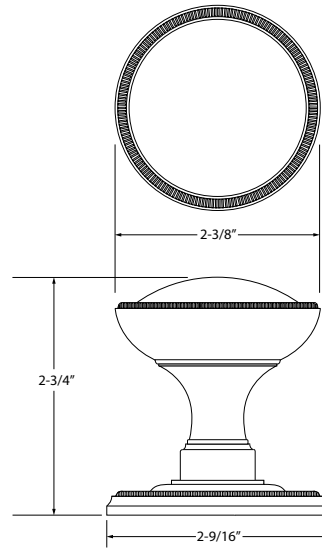
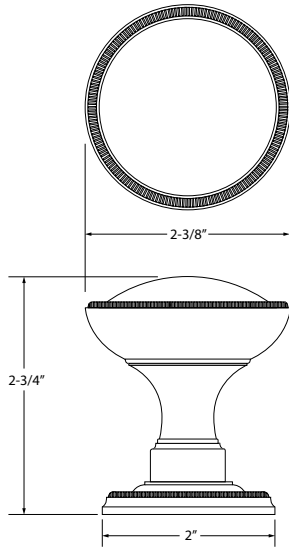
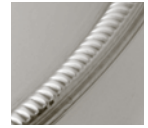
APS|APN|PB-PVD|PS|SS|SCR|PCR|SC
gold plating available upon request

price list

page 13

material

solid brass



HOW TO ORDER

- 1 Specify application.
- 2 Specify finish. If split finish required, please indicate exterior/interior.
- 3 Specify door thickness. Standard thickness is 1-3/8".
- 4 Specify backset required. Standard backset is 2-3/8" for tubular. Standard backset is 2-1/2" for mortise.
- 5 Specify if pre-drilled adapters are required. (part #9749)
- 6 Specify hand and swing for mortise.

REMEMBER...

- 1 FULL LIP strikes are standard. Specify SUB 'T' strike, if required.
- 2 Consider utilizing an interior mortise lock for quality installations.
- 3 All knobs and roses are interchangeable.
- 4 Standard backset is 2-3/8" for tubular. If required specify 2-3/4". 2-1/2" for mortise. If required specify 2-3/4".

KNOB SETS

INTERIOR

Interior Knob Sets

2" Rose Sets

- 14361 Knob Set - PASSAGE
- 14362 Knob Set - PRIVACY
- 14363 Knob Set - SECTIONAL PRIVACY
- 14364 Knob Set - FULL DUMMY
- 14365 Knob Set - HALF DUMMY

- 14368 Knob Mortise Set - PASSAGE
- 14369 Knob Mortise Set - PRIVACY

2-9/16" Rose Sets

- 14371 Knob Set - PASSAGE
- 14372 Knob Set - PRIVACY
- 14373 Knob Set - SECTIONAL PRIVACY
- 14374 Knob Set - FULL DUMMY
- 14375 Knob Set - HALF DUMMY

- 14360 Knob Only 2-3/8"
- 14080 Rose Only 2"
- 14090 Rose Only 2-9/16"

standard finishes

AB | ABB | BB | BZ | KN | PA | PB | PBNL | TN | WB | WZ
 ABN | AN | AP | BN | MB | NC | PC | PN | SN | WA | WC | WN | WP

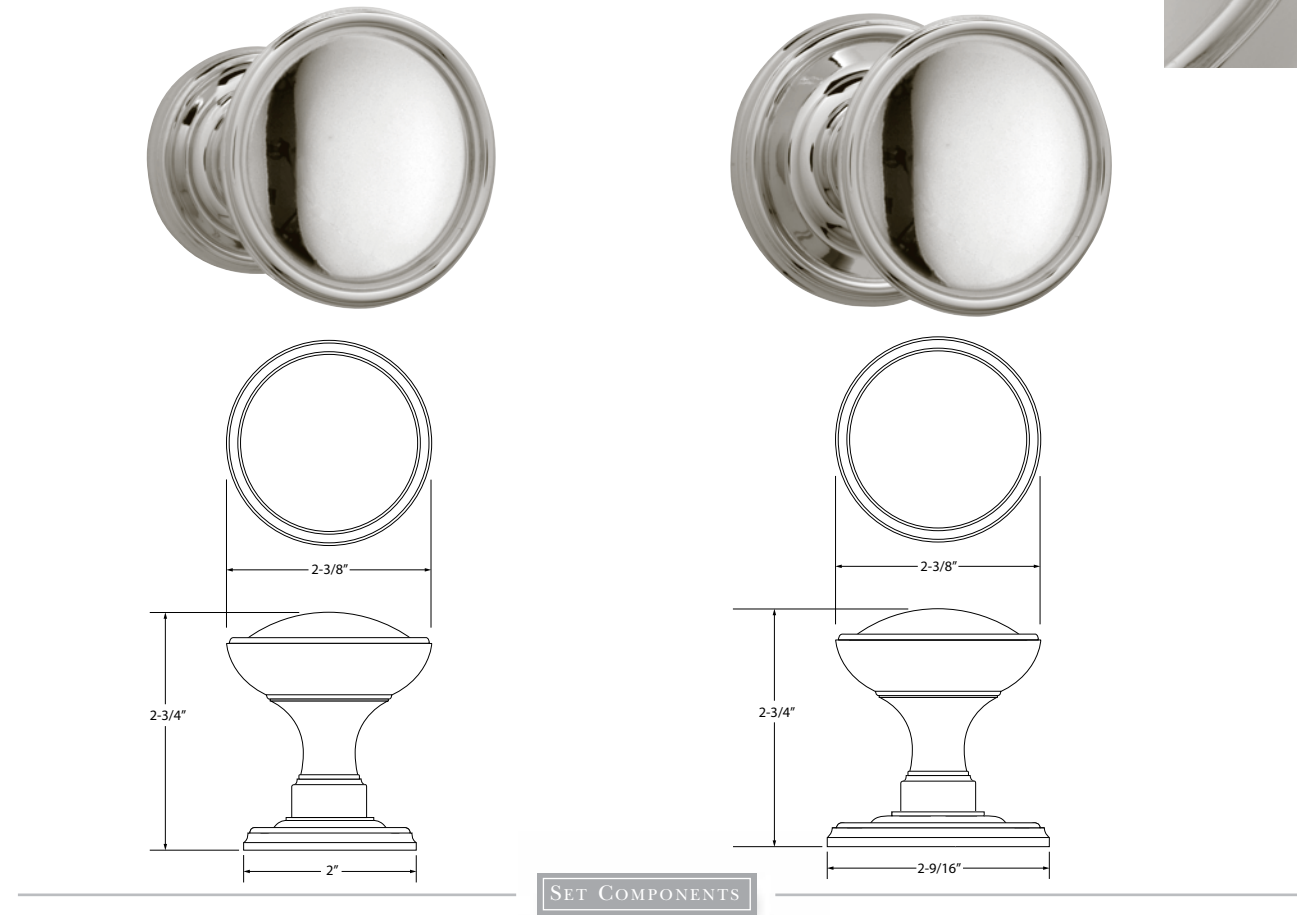
premium finishes

APS | APN | PB-PVD | PS | SS | SCR | PCR | SC
 gold plating available upon request

price list

page 13

material



INTERIOR
KNOB SETS

Knob and Rosette – Passage Set includes two rosettes (passage), two knobs, passage latch (2-3/8" backset), full lip strike, latch faceplate, 4" straight spindle (8mm), two rosette mount plates, two rosette mount plate hubs, dust box and mounting hardware.

NOTE: if required, order pre-drilled adapter (part # 9749) separately.

Knob and Rosette – Privacy Set includes two rosettes (privacy), two knobs, privacy latch (2-3/8" backset), full lip strike, latch faceplate, 4" swivel spindle (8mm), two rosette mount plates, two rosette mount plate hubs, privacy pin, dust box and mounting hardware.

NOTE: if required, order pre-drilled adapter (part # 9749) separately.

Knob and Rosette – Full Dummy includes two rosettes, two knobs, 4" straight spindle (8mm), two dummy rosette mount plates, two rosette mount plate hubs and mounting hardware.

Knob and Rosette – Half Dummy includes rosette, knob, dummy mount spindle, rosette mount plate hub and mounting hardware.

Interior Knob Sets

2" Rose Sets

- 14381 Cross Hatch Knob Set - PASSAGE
- 14382 Cross Hatch Knob Set - PRIVACY
- 14383 Cross Hatch Knob Set - SECTIONAL PRIVACY
- 14384 Cross Hatch Knob Set - FULL DUMMY
- 14385 Cross Hatch Knob Set - HALF DUMMY

- 14388 Cross Hatch Knob Mortise Set - PASSAGE
- 14389 Cross Hatch Knob Mortise Set - PRIVACY

2-9/16" Rose Sets

- 14391 Cross Hatch Knob Set - PASSAGE
- 14392 Cross Hatch Knob Set - PRIVACY
- 14393 Cross Hatch Knob Set - SECTIONAL PRIVACY
- 14394 Cross Hatch Knob Set - FULL DUMMY
- 14395 Cross Hatch Knob Set - HALF DUMMY

- 14380 Cross Hatch Knob Only 2-3/8"
- 14084 Cross Hatch Rose Only 2"
- 14094 Cross Hatch Rose Only 2-9/16"

standard finishes

AB|ABB|BB|BZ|KN|PA|PB|PBNL|TN|WB|WZ
ABN|AN|AP|BN|MB|NC|PC|PN|SN|WA|WC|WN|WP

premium finishes

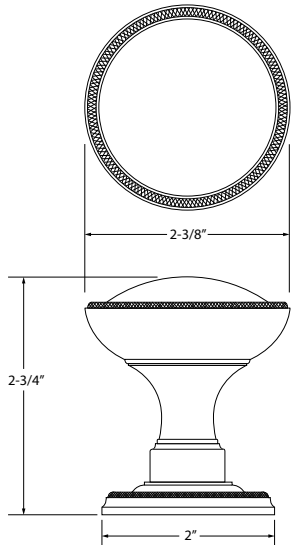
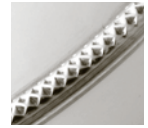
APS|APN|PB-PVD|PS|SS|SCR|PCR|SC
gold plating available upon request

price list

page 13

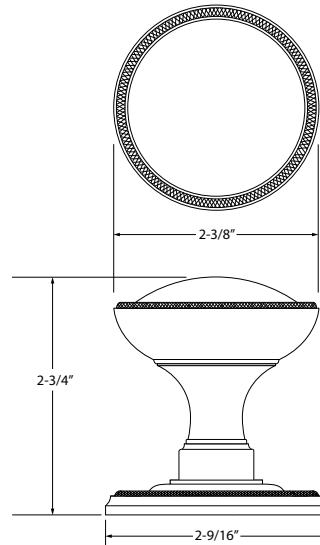
material

solid brass



HOW TO ORDER

- 1 Specify application.
- 2 Specify finish. If split finish required, please indicate exterior/interior.
- 3 Specify door thickness. Standard thickness is 1-3/8".
- 4 Specify backset required. Standard backset is 2-3/8" for tubular. Standard backset is 2-1/2" for mortise.
- 5 Specify if pre-drilled adapters are required. (part #9749)
- 6 Specify hand and swing for mortise.



REMEMBER...

- 1 FULL LIP strikes are standard. Specify SUB 'T' strike, if required.
- 2 Consider utilizing an interior mortise lock for quality installations.
- 3 All knobs and roses are interchangeable.
- 4 Standard backset is 2-3/8" for tubular. If required specify 2-3/4". 2-1/2" for mortise. If required specify 2-3/4".

KNOB SETS

INTERIOR

Interior Knob Sets

2" Rose Sets

- 14401 Rope Knob Set - PASSAGE
- 14402 Rope Knob Set - PRIVACY
- 14403 Rope Knob Set - SECTIONAL PRIVACY
- 14404 Rope Knob Set - FULL DUMMY
- 14405 Rope Knob Set - HALF DUMMY

- 14408 Rope Knob Mortise Set - PASSAGE
- 14409 Rope Knob Mortise Set - PRIVACY

2-9/16" Rose Sets

- 14411 Rope Knob Set - PASSAGE
- 14412 Rope Knob Set - PRIVACY
- 14413 Rope Knob Set - SECTIONAL PRIVACY
- 14414 Rope Knob Set - FULL DUMMY
- 14415 Rope Knob Set - HALF DUMMY

- 14400 Rope Knob Only 2-3/8"
- 14081 Rope Rose 2"
- 14091 Rope Rose 2-9/16"

standard finishes

AB | ABB | BB | BZ | KN | PA | PB | PBNL | TN | WB | WZ
 ABN | AN | AP | BN | MB | NC | PC | PN | SN | WA | WC | WN | WP

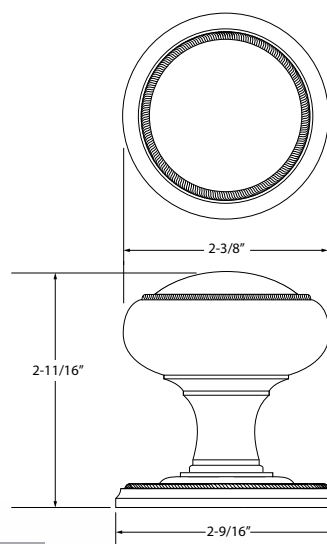
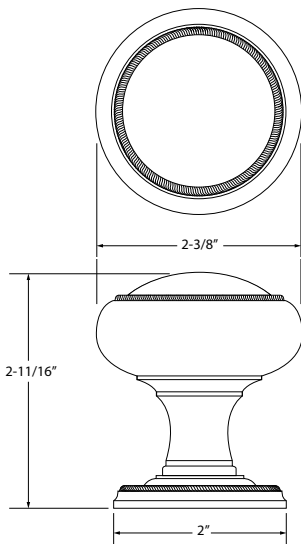
premium finishes

APS | APN | PB-PVD | PS | SS | SCR | PCR | SC
 gold plating available upon request

price list

page 14

material



SET COMPONENTS

Knob and Rosette – Passage Set includes two rosettes (passage), two knobs, passage latch (2-3/8" backset), full lip strike, latch faceplate, 4" straight spindle (8mm), two rosette mount plates, two rosette mount plate hubs, dust box and mounting hardware.

NOTE: if required, order pre-drilled adapter (part # 9749) separately.

Knob and Rosette – Privacy Set includes two rosettes (privacy), two knobs, privacy latch (2-3/8" backset), full lip strike, latch faceplate, 4" swivel spindle (8mm), two rosette mount plates, two rosette mount plate hubs, privacy pin, dust box and mounting hardware.

NOTE: if required, order pre-drilled adapter (part # 9749) separately.

Knob and Rosette – Full Dummy includes two rosettes, two knobs, 4" straight spindle (8mm), two dummy rosette mount plates, two rosette mount plate hubs and mounting hardware.

Knob and Rosette – Half Dummy includes rosette, knob, dummy mount spindle, rosette mount plate hub and mounting hardware.

INTERIOR KNOB SETS



Interior Knob Sets

2" Rose Sets

- 14421 Coin Knob Set - PASSAGE
- 14422 Coin Knob Set - PRIVACY
- 14423 Coin Knob Set - SECTIONAL PRIVACY
- 14424 Coin Knob Set - FULL DUMMY
- 14425 Coin Knob Set - HALF DUMMY

- 14428 Coin Knob Mortise Set - PASSAGE
- 14429 Coin Knob Mortise Set - PRIVACY

2-9/16" Rose Sets

- 14431 Coin Knob Set - PASSAGE
- 14432 Coin Knob Set - PRIVACY
- 14433 Coin Knob Set - SECTIONAL PRIVACY
- 14434 Coin Knob Set - FULL DUMMY
- 14435 Coin Knob Set - HALF DUMMY

- 14420 Coin Knob Only 2-3/8"
- 14082 Coin Rose Only 2"
- 14092 Coin Rose Only 2-9/16"

standard finishes

AB|ABB|BB|BZ|KN|PA|PB|PBNL|TN|WB|WZ
ABN|AN|AP|BN|MB|NC|PC|PN|SN|WA|WC|WN|WP

premium finishes

APS|APN|PB-PVD|PS|SS|SCR|PCR|SC
gold plating available upon request

price list

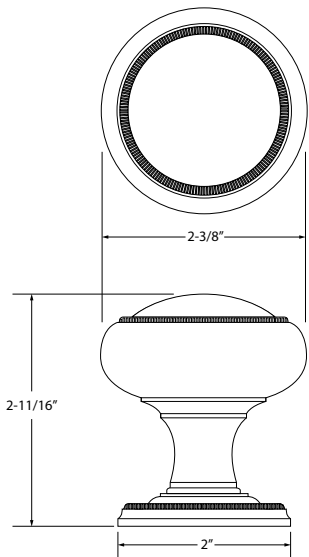
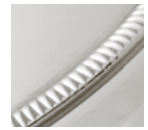
page 14

material

solid brass

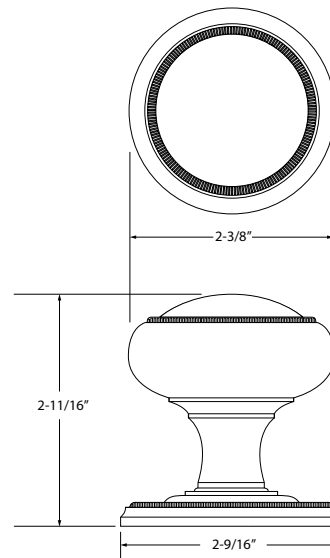
KNOB SETS

INTERIOR



HOW TO ORDER

- 1 Specify application.
- 2 Specify finish. If split finish required, please indicate exterior/interior.
- 3 Specify door thickness. Standard thickness is 1-3/8".
- 4 Specify backset required. Standard backset is 2-3/8" for tubular. Standard backset is 2-1/2" for mortise.
- 5 Specify if pre-drilled adapters are required. (part #9749)
- 6 Specify hand and swing for mortise.



REMEMBER...

- 1 FULL LIP strikes are standard. Specify SUB 'T' strike, if required.
- 2 Consider utilizing an interior mortise lock for quality installations.
- 3 All knobs and roses are interchangeable.
- 4 Standard backset is 2-3/8" for tubular. If required specify 2-3/4". 2-1/2" for mortise. If required specify 2-3/4".

Interior Knob Sets

2" Rose Sets

- 14441 Bead Knob Set - PASSAGE
- 14442 Bead Knob Set - PRIVACY
- 14443 Bead Knob Set - SECTIONAL PRIVACY
- 14445 Bead Knob Set - FULL DUMMY
- 14446 Bead Knob Set - HALF DUMMY

- 14448 Bead Knob Mortise Set - PASSAGE
- 14449 Bead Knob Mortise Set - PRIVACY

2-9/16" Rose Sets

- 14451 Bead Knob Set - PASSAGE
- 14452 Bead Knob Set - PRIVACY
- 14453 Bead Knob Set - SECTIONAL PRIVACY
- 14454 Bead Knob Set - FULL DUMMY
- 14455 Bead Knob Set - HALF DUMMY

- 14440 Bead Knob Only 2-3/8"
- 14083 Bead Rose Only 2"
- 14093 Bead Rose Only 2-9/16"

standard finishes

AB | ABB | BB | BZ | KN | PA | PB | PBNL | TN | WB | WZ
 ABN | AN | AP | BN | MB | NC | PC | PN | SN | WA | WC | WN | WP

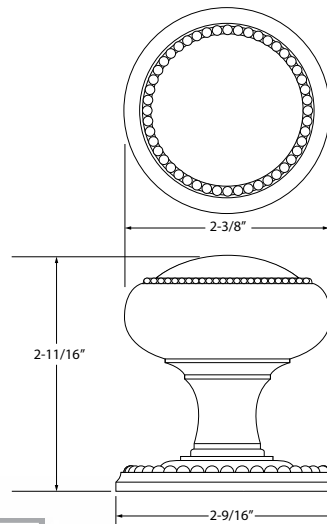
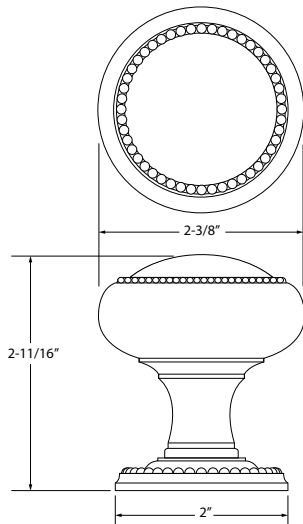
premium finishes

APS | APN | PB-PVD | PS | SS | SCR | PCR | SC
 gold plating available upon request

price list

page 15

material



SET COMPONENTS

Knob and Rosette – Passage Set includes two rosettes (passage), two knobs, passage latch (2-3/8" backset), full lip strike, latch faceplate, 4" straight spindle (8mm), two rosette mount plates, two rosette mount plate hubs, dust box and mounting hardware.

NOTE: if required, order pre-drilled adapter (part # 9749) separately.

Knob and Rosette – Privacy Set includes two rosettes (privacy), two knobs, privacy latch (2-3/8" backset), full lip strike, latch faceplate, 4" swivel spindle (8mm), two rosette mount plates, two rosette mount plate hubs, privacy pin, dust box and mounting hardware.

NOTE: if required, order pre-drilled adapter (part # 9749) separately.

Knob and Rosette – Full Dummy includes two rosettes, two knobs, 4" straight spindle (8mm), two dummy rosette mount plates, two rosette mount plate hubs and mounting hardware.

Knob and Rosette – Half Dummy includes rosette, knob, dummy mount spindle, rosette mount plate hub and mounting hardware.

INTERIOR

KNOB SETS



Interior Knob Sets

2" Rose Sets

- 14461 Knob Set - PASSAGE
- 14462 Knob Set - PRIVACY
- 14463 Knob Set - SECTIONAL PRIVACY
- 14464 Knob Set - FULL DUMMY
- 14465 Knob Set - HALF DUMMY

- 14468 Knob Mortise Set - PASSAGE
- 14469 Knob Mortise Set - PRIVACY

2-9/16" Rose Sets

- 14471 Knob Set - PASSAGE
- 14472 Knob Set - PRIVACY
- 14473 Knob Set - SECTIONAL PRIVACY
- 14474 Knob Set - FULL DUMMY
- 14475 Knob Set - HALF DUMMY

- 14460 Knob Only 2-3/8"
- 14080 Rose Only 2"
- 14090 Rose Only 2-9/16"

standard finishes

AB|ABB|BB|BZ|KN|PA|PB|PBNL|TN|WB|WZ
ABN|AN|AP|BN|MB|NC|PC|PN|SN|WA|WC|WN|WP

premium finishes

APS|APN|PB-PVD|PS|SS|SCR|PCR|SC
gold plating available upon request

price list

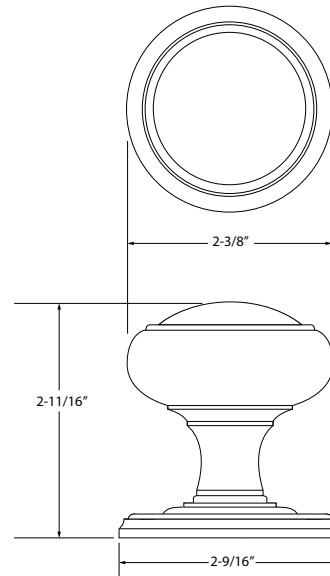
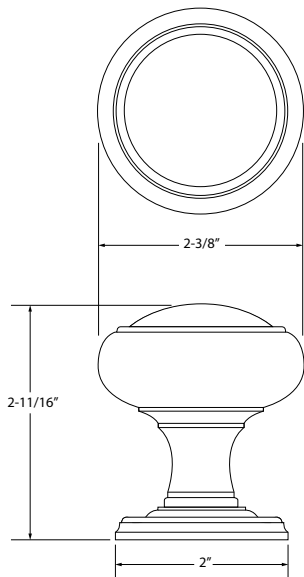
page 15

material

solid brass

KNOB SETS

INTERIOR



HOW TO ORDER

- 1 Specify application.
- 2 Specify finish. If split finish required, please indicate exterior/interior.
- 3 Specify door thickness. Standard thickness is 1-3/8".
- 4 Specify backset required. Standard backset is 2-3/8" for tubular.
Standard backset is 2-1/2" for mortise.
- 5 Specify if pre-drilled adapters are required. (part #9749)
- 6 Specify hand and swing for mortise.

REMEMBER...

- 1 FULL LIP strikes are standard. Specify SUB 'T' strike, if required.
- 2 Consider utilizing an interior mortise lock for quality installations.
- 3 All knobs and roses are interchangeable.
- 4 Standard backset is 2-3/8" for tubular. If required specify 2-3/4".
2-1/2" for mortise. If required specify 2-3/4".

Interior Knob Sets

2" Rose Sets

- 14481 Cross Hatch Knob Set - PASSAGE
- 14482 Cross Hatch Knob Set - PRIVACY
- 14483 Cross Hatch Knob Set - SECTIONAL PRIVACY
- 14484 Cross Hatch Knob Set - FULL DUMMY
- 14485 Cross Hatch Knob Set - HALF DUMMY

- 14488 Cross Hatch Knob Mortise Set - PASSAGE
- 14489 Cross Hatch Knob Mortise Set - PRIVACY

2-9/16" Rose Sets

- 14491 Cross Hatch Knob Set - PASSAGE
- 14492 Cross Hatch Knob Set - PRIVACY
- 14493 Cross Hatch Knob Set - SECTIONAL PRIVACY
- 14494 Cross Hatch Knob Set - FULL DUMMY
- 14495 Cross Hatch Knob Set - HALF DUMMY

- 14480 Cross Hatch Knob Only 2-3/8"
- 14084 Cross Hatch Rose Only 2"
- 14094 Cross Hatch Rose Only 2-9/16"

standard finishes

AB | ABB | BB | BZ | KN | PA | PB | PBNL | TN | WB | WZ
 ABN | AN | AP | BN | MB | NC | PC | PN | SN | WA | WC | WN | WP

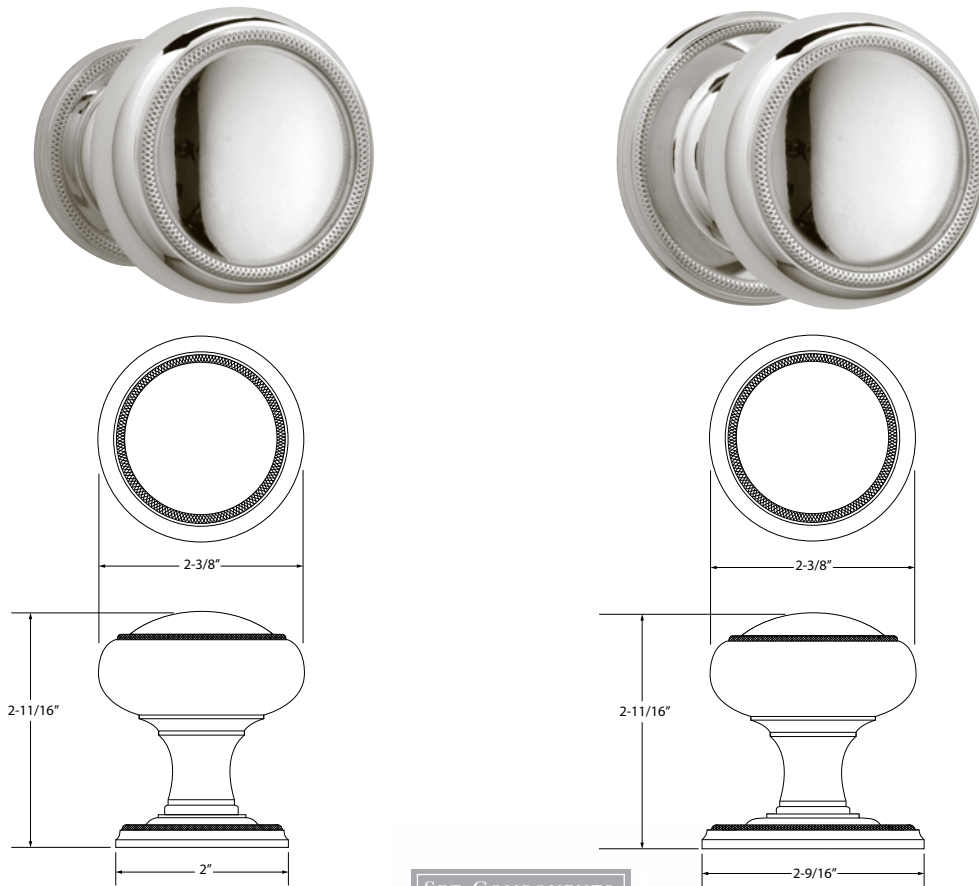
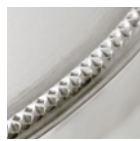
premium finishes

APS | APN | PB-PVD | PS | SS | SCR | PCR | SC
 gold plating available upon request

price list

page 15

material



INTERIOR

KNOB SETS

Knob and Rosette – Passage Set includes two rosettes (passage), two knobs, passage latch (2-3/8" backset), full lip strike, latch faceplate, 4" straight spindle (8mm), two rosette mount plates, two rosette mount plate hubs, dust box and mounting hardware.

NOTE: if required, order pre-drilled adapter (part # 9749) separately.

Knob and Rosette – Privacy Set includes two rosettes (privacy), two knobs, privacy latch (2-3/8" backset), full lip strike, latch faceplate, 4" swivel spindle (8mm), two rosette mount plates, two rosette mount plate hubs, privacy pin, dust box and mounting hardware.

NOTE: if required, order pre-drilled adapter (part # 9749) separately.

Knob and Rosette – Full Dummy includes two rosettes, two knobs, 4" straight spindle (8mm), two dummy rosette mount plates, two rosette mount plate hubs and mounting hardware.

Knob and Rosette – Half Dummy includes rosette, knob, dummy mount spindle, rosette mount plate hub and mounting hardware.

Interior Knob Sets

2" Rose Sets

- 14501 Knob Set - PASSAGE
- 14502 Knob Set - PRIVACY
- 14503 Knob Set - SECTIONAL PRIVACY
- 14504 Knob Set - FULL DUMMY
- 14505 Knob Set - HALF DUMMY

- 14508 Knob Mortise Set - PASSAGE
- 14509 Knob Mortise Set - PRIVACY

2-9/16" Rose Sets

- 14511 Knob Set - PASSAGE
- 14512 Knob Set - PRIVACY
- 14513 Knob Set - SECTIONAL PRIVACY
- 14514 Knob Set - FULL DUMMY
- 14515 Knob Set - HALF DUMMY

- 14500 Knob Only 2-3/8"
- 14087 Rose Only 2"
- 14096 Rose Only 2-9/16"

standard finishes

AB|ABB|BB|BZ|KN|PA|PB|PBNL|TN|WB|WZ
ABN|AN|AP|BN|MB|NC|PC|PN|SN|WA|WC|WN|WP

premium finishes

APS|APN|PB-PVD|PS|SS|SCR|PCR|SC
gold plating available upon request

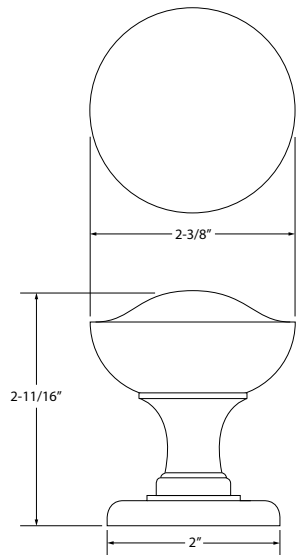
price list

page 16

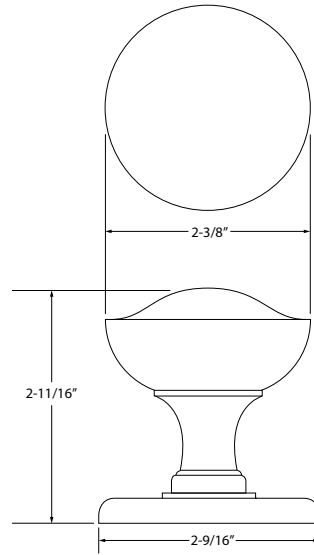
material

solid brass

KNOB SETS



HOW TO ORDER



REMEMBER...

- 1 Specify application.
- 2 Specify finish. If split finish required, please indicate exterior/interior.
- 3 Specify door thickness. Standard thickness is 1-3/8".
- 4 Specify backset required. Standard backset is 2-3/8" for tubular.
Standard backset is 2-1/2" for mortise.
- 5 Specify if pre-drilled adapters are required. (part #9749)
- 6 Specify hand and swing for mortise.

- 1 FULL LIP strikes are standard. Specify SUB 'T' strike, if required.
- 2 Consider utilizing an interior mortise lock for quality installations.
- 3 All knobs and roses are interchangeable.
- 4 Standard backset is 2-3/8" for tubular. If required specify 2-3/4".
2-1/2" for mortise. If required specify 2-3/4".

Interior Lever Sets

2" Rose Sets

- 16001 Rope Lever Set - PASSAGE
- 16002 Rope Lever Set - PRIVACY
- 16003 Rope Lever Set - SECTIONAL PRIVACY
- 16004 Rope Lever Set - FULL DUMMY
- 16005 Rope Lever Set - HALF DUMMY

- 16008 Rope Lever Mortise Set - PASSAGE
- 16009 Rope Lever Mortise Set - PRIVACY

2-9/16" Rose Sets

- 16011 Rope Lever Set - PASSAGE
- 16012 Rope Lever Set - PRIVACY
- 16013 Rope Lever Set - SECTIONAL PRIVACY
- 16014 Rope Lever Set - FULL DUMMY
- 16015 Rope Lever Set - HALF DUMMY

- 16000 Rope Lever Only 4-1/4"
- 14081 Rope Rose Only 2"
- 14091 Rope Rose Only 2-9/16"

standard finishes

AB|ABB|BB|BZ|KN|PA|PB|PBNL|TN|WB|WZ
ABN|AN|AP|BN|MB|NC|PC|PN|SN|WA|WC|WN|WP

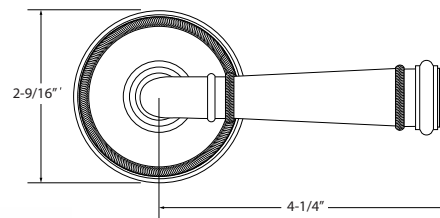
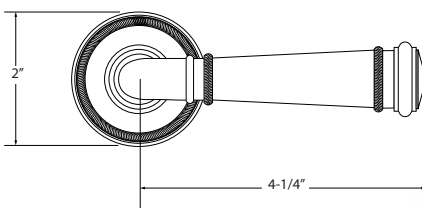
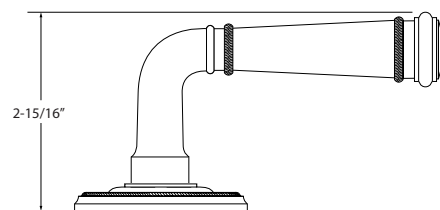
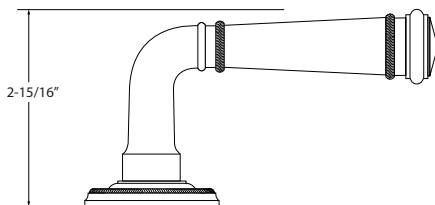
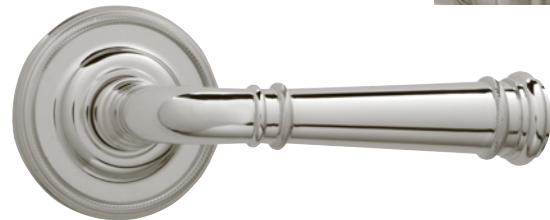
premium finishes

APS|APN|PB-PVD|PS|SS|SCR|PCR|SC
gold plating available upon request

price list

page 17

material



SET COMPONENTS

Lever and Rosette – Passage Set includes two rosettes (passage), two levers, passage latch (2-3/8" backset), full lip strike, latch faceplate, 4" straight spindle (8mm), two rosette mount plates, two rosette mount plate hubs, dust box and mounting hardware.

NOTE: if required, order pre-drilled adapter (part # 9749) separately.

Lever and Rosette – Privacy Set includes two rosettes (privacy), two levers, privacy latch (2-3/8" backset), full lip strike, latch faceplate, 4" swivel spindle (8mm), two rosette mount plates, two rosette mount plate hubs, privacy pin, dust box and mounting hardware. **NOTE:** if required, order pre-drilled adapter (part # 9749) separately.

Lever and Rosette – Full Dummy includes two rosettes, two levers, 4" straight spindle (8mm), two dummy rosette mount plates, two rosette mount plate hubs and mounting hardware.

Lever and Rosette – Half Dummy includes rosette, lever, dummy mount spindle, rosette mount plate hub and mounting hardware.

INTERIOR

LEVER SETS

Interior Lever Sets

2" Rose Sets

- 16021 Inset Cross Hatch Lever Set - PASSAGE
- 16022 Inset Cross Hatch Lever Set - PRIVACY
- 16023 Inset Cross Hatch Lever Set - SECT. PRIVACY
- 16024 Inset Cross Hatch Lever Set - FULL DUMMY
- 16025 Inset Cross Hatch Lever Set - HALF DUMMY

2-9/16" Rose Sets

- 16031 Inset Cross Hatch Lever Set - PASSAGE
- 16032 Inset Cross Hatch Lever Set - PRIVACY
- 16033 Inset Cross Hatch Lever Set - SECT. PRIVACY
- 16034 Inset Cross Hatch Lever Set - FULL DUMMY
- 16035 Inset Cross Hatch Lever Set - HALF DUMMY

- 16028 Inset Cross Hatch Lever Mortise Set - PASSAGE
- 16029 Inset Cross Hatch Lever Mortise Set - PRIVACY

- 16020 Inset Cross Hatch Lever Only 4-1/4"
- 14084 Cross Hatch Rose Only 2"
- 14094 Cross Hatch Rose Only 2-9/16"

standard finishes

AB | ABB | BB | BZ | KN | PA | PB | PBNL | TN | WB | WZ
 ABN | AN | AP | BN | MB | NC | PC | PN | SN | WA | WC | WN | WP

premium finishes

APS | APN | PB-PVD | PS | SS | SCR | PCR | SC
 gold plating available upon request

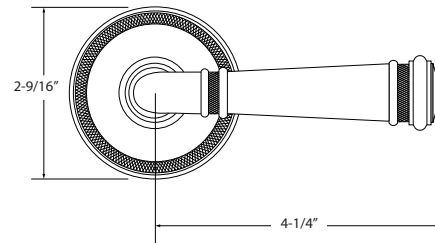
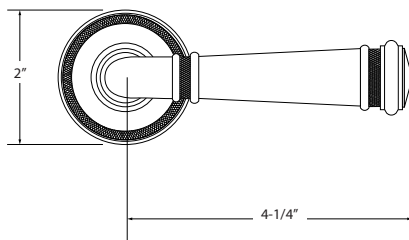
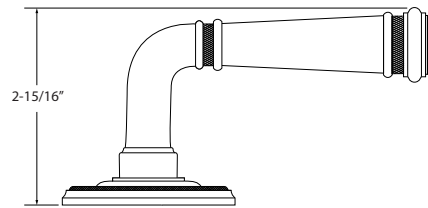
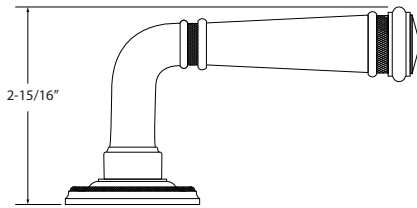
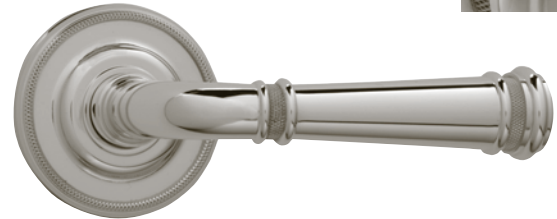
price list

page 17

material

solid brass

LEVER SETS



HOW TO ORDER

- 1 Specify application.
- 2 Specify finish. If split finish required, please indicate exterior/interior.
- 3 Specify door thickness. Standard thickness is 1-3/8".
- 4 Specify backset. Standard backset is 2-3/8".
- 5 Specify hand of door – RH/LH – for half dummy lever.
- 6 Specify if pre-drilled adapters are required. (part #9749)
- 7 Specify hand and swing for mortise.

REMEMBER...

- 1 FULL LIP strikes are standard. Specify SUB 'T' strike, if required.
- 2 Consider utilizing an interior mortise lock for quality installations.
- 3 All levers and roses are interchangeable.
- 4 Standard backset is 2-3/8" for tubular. If required specify 2-3/4".
2-1/2" for mortise. If required specify 2-3/4".

Interior Lever Sets

2" Rose Sets

- 16041 Coin Lever Set - PASSAGE
- 16042 Coin Lever Set - PRIVACY
- 16043 Coin Lever Set - SECTIONAL PRIVACY
- 16044 Coin Lever Set - FULL DUMMY
- 16045 Coin Lever Set - HALF DUMMY

- 16048 Coin Lever Mortise Set - PASSAGE
- 16049 Coin Lever Mortise Set - PRIVACY

2-9/16" Rose Sets

- 16051 Coin Lever Set - PASSAGE
- 16052 Coin Lever Set - PRIVACY
- 16053 Coin Lever Set - SECTIONAL PRIVACY
- 16054 Coin Lever Set - FULL DUMMY
- 16055 Coin Lever Set - HALF DUMMY

- 16040 Coin Lever Only 4-1/4"
- 14082 Coin Rose Only 2"
- 14092 Coin Rose Only 2-9/16"

standard finishes

AB | ABB | BB | BZ | KN | PA | PB | PBNL | TN | WB | WZ
 ABN | AN | AP | BN | MB | NC | PC | PN | SN | WA | WC | WN | WP

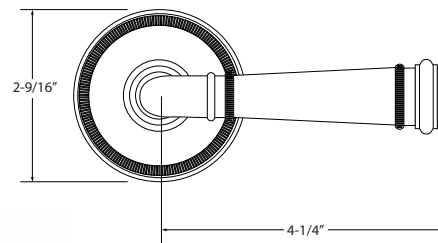
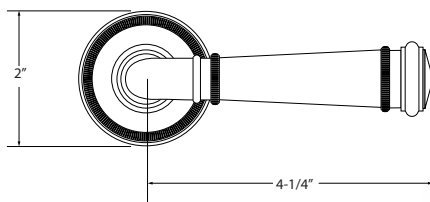
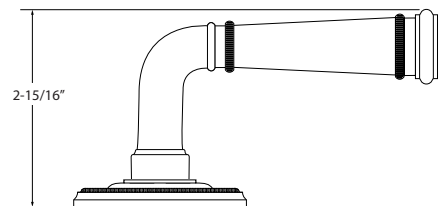
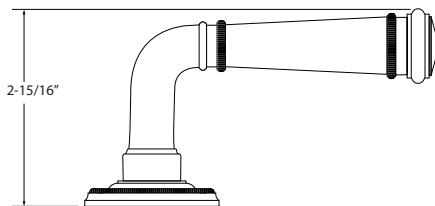
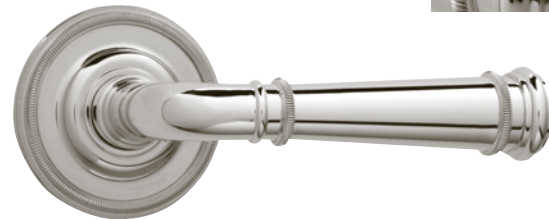
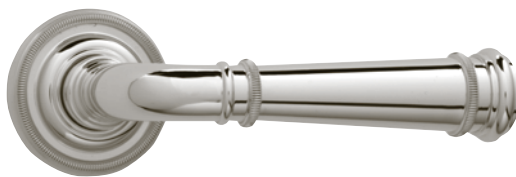
premium finishes

APS | APN | PB-PVD | PS | SS | SCR | PCR | SC
 gold plating available upon request

price list

page 17

material



SET COMPONENTS

Lever and Rosette – Passage Set includes two rosettes (passage), two levers, passage latch (2-3/8" backset), full lip strike, latch faceplate, 4" straight spindle (8mm), two rosette mount plates, two rosette mount plate hubs, dust box and mounting hardware.

NOTE: if required, order pre-drilled adapter (part # 9749) separately.

Lever and Rosette – Privacy Set includes two rosettes (privacy), two levers, privacy latch (2-3/8" backset), full lip strike, latch faceplate, 4" swivel spindle (8mm), two rosette mount plates, two rosette mount plate hubs, privacy pin, dust box and mounting hardware. **NOTE:** if required, order pre-drilled adapter (part # 9749) separately.

Lever and Rosette – Full Dummy includes two rosettes, two levers, 4" straight spindle (8mm), two dummy rosette mount plates, two rosette mount plate hubs and mounting hardware.

Lever and Rosette – Half Dummy includes rosette, lever, dummy mount spindle, rosette mount plate hub and mounting hardware.

Interior Lever Sets

2" Rose Sets

- 16061 Inset Coin Lever Set - PASSAGE
- 16062 Inset Coin Lever Set - PRIVACY
- 16063 Inset Coin Lever Set - SECTIONAL PRIVACY
- 16064 Inset Coin Lever Set - FULL DUMMY
- 16065 Inset Coin Lever Set - HALF DUMMY

- 16068 Inset Coin Lever Mortise Set - PASSAGE
- 16069 Inset Coin Lever Mortise Set - PRIVACY

2-9/16" Rose Sets

- 16071 Inset Coin Lever Set - PASSAGE
- 16072 Inset Coin Lever Set - PRIVACY
- 16073 Inset Coin Lever Set - SECTIONAL PRIVACY
- 16074 Inset Coin Lever Set - FULL DUMMY
- 16075 Inset Coin Lever Set - HALF DUMMY

- 16060 Inset Coin Lever Only 4-1/4"
- 14082 Coin Rose Only 2"
- 14092 Coin Rose Only 2-9/16"

standard finishes

AB | ABB | BB | BZ | KN | PA | PB | PBNL | TN | WB | WZ
 ABN | AN | AP | BN | MB | NC | PC | PN | SN | WA | WC | WN | WP

premium finishes

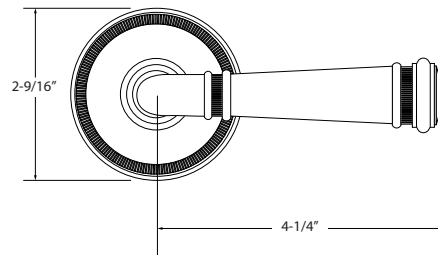
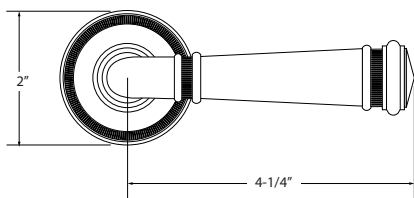
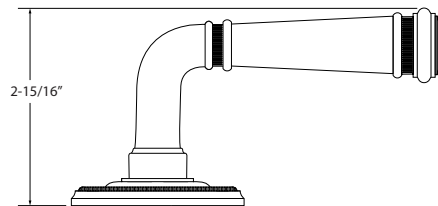
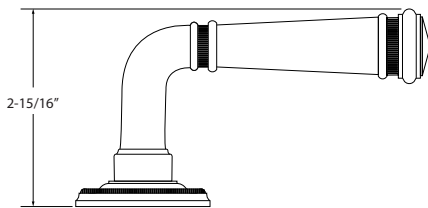
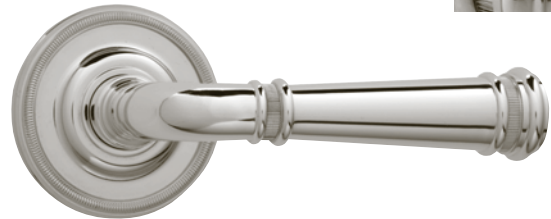
APS | APN | PB-PVD | PS | SS | SCR | PCR | SC
 gold plating available upon request

price list

page 18

material

solid brass



HOW TO ORDER

- 1 Specify application.
- 2 Specify finish. If split finish required, please indicate exterior/interior.
- 3 Specify door thickness. Standard thickness is 1-3/8".
- 4 Specify backset. Standard backset is 2-3/8".
- 5 Specify hand of door – RH/LH – for half dummy lever.
- 6 Specify if pre-drilled adapters are required. (part #9749)
- 7 Specify hand and swing for mortise.

REMEMBER...

- 1 FULL LIP strikes are standard. Specify SUB 'T' strike, if required.
- 2 Consider utilizing an interior mortise lock for quality installations.
- 3 All levers and roses are interchangeable.
- 4 Standard backset is 2-3/8" for tubular. If required specify 2-3/4".
2-1/2" for mortise. If required specify 2-3/4".

LEVER SETS

INTERIOR

Interior Lever Sets

2" Rose Sets

- 16081 Lever Set - PASSAGE
- 16082 Lever Set - PRIVACY
- 16083 Lever Set - SECTIONAL PRIVACY
- 16084 Lever Set - FULL DUMMY
- 16085 Lever Set - HALF DUMMY

- 16088 Lever Mortise Set - PASSAGE
- 16089 Lever Mortise Set - PRIVACY

2-9/16" Rose Sets

- 16091 Lever Set - PASSAGE
- 16092 Lever Set - PRIVACY
- 16093 Lever Set - SECTIONAL PRIVACY
- 16094 Lever Set - FULL DUMMY
- 16095 Lever Set - HALF DUMMY

- 16080 Lever Only 4-1/4"
- 14080 Rose Only 2"
- 14090 Rose Only 2-9/16"

standard finishes

AB | ABB | BB | BZ | KN | PA | PB | PBNL | TN | WB | WZ
 ABN | AN | AP | BN | MB | NC | PC | PN | SN | WA | WC | WN | WP

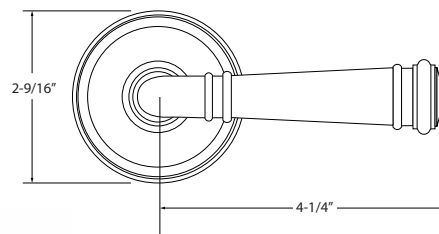
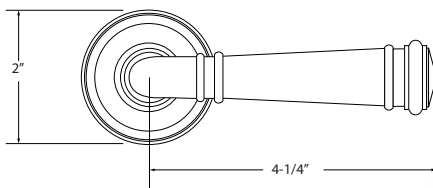
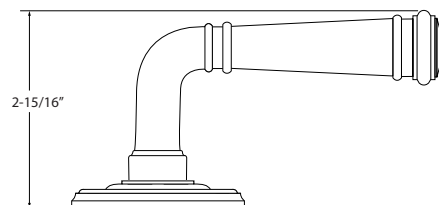
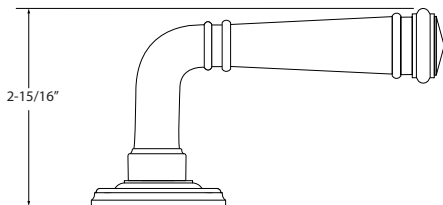
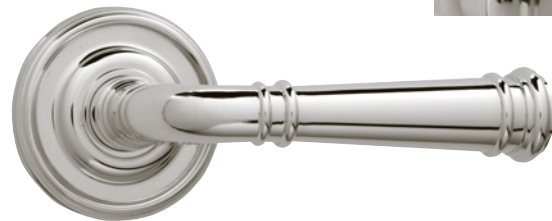
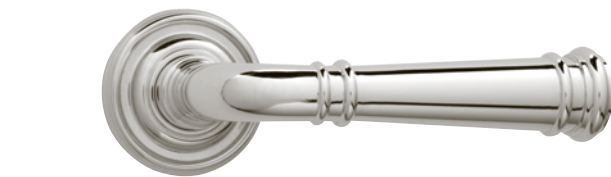
premium finishes

APS | APN | PB-PVD | PS | SS | SCR | PCR | SC
 gold plating available upon request

price list

page 18

material



SET COMPONENTS

Lever and Rosette – Passage Set includes two rosettes (passage), two levers, passage latch (2-3/8" backset), full lip strike, latch faceplate, 4" straight spindle (8mm), two rosette mount plates, two rosette mount plate hubs, dust box and mounting hardware.

NOTE: if required, order pre-drilled adapter (part # 9749) separately.

Lever and Rosette – Privacy Set includes two rosettes (privacy), two levers, privacy latch (2-3/8" backset), full lip strike, latch faceplate, 4" swivel spindle (8mm), two rosette mount plates, two rosette mount plate hubs, privacy pin, dust box and mounting hardware. **NOTE:** if required, order pre-drilled adapter (part # 9749) separately.

Lever and Rosette – Full Dummy includes two rosettes, two levers, 4" straight spindle (8mm), two dummy rosette mount plates, two rosette mount plate hubs and mounting hardware.

Lever and Rosette – Half Dummy includes rosette, lever, dummy mount spindle, rosette mount plate hub and mounting hardware.

INTERIOR

LEVER SETS

Interior Lever Sets

2" Rose Sets

- 16101 Rope Lever Set - PASSAGE
- 16102 Rope Lever Set - PRIVACY
- 16103 Rope Lever Set - SECTIONAL PRIVACY
- 16104 Rope Lever Set - FULL DUMMY
- 16105 Rope Lever Set - HALF DUMMY

- 16108 Rope Lever Mortise Set - PASSAGE
- 16109 Rope Lever Mortise Set - PRIVACY

2-9/16" Rose Sets

- 16111 Rope Lever Set - PASSAGE
- 16112 Rope Lever Set - PRIVACY
- 16113 Rope Lever Set - SECTIONAL PRIVACY
- 16114 Rope Lever Set - FULL DUMMY
- 16115 Rope Lever Set - HALF DUMMY

- 16100 Rope Lever Only 4-5/8"
- 14081 Rope Rose Only 2"
- 14091 Rope Rose Only 2-9/16"

standard finishes

AB | ABB | BB | BZ | KN | PA | PB | PBNL | TN | WB | WZ
 ABN | AN | AP | BN | MB | NC | PC | PN | SN | WA | WC | WN | WP

premium finishes

APS | APN | PB-PVD | PS | SS | SCR | PCR | SC
 gold plating available upon request

price list

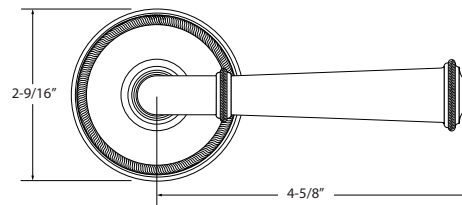
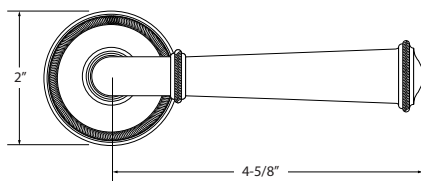
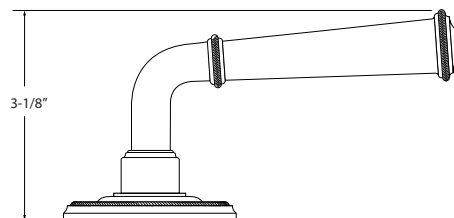
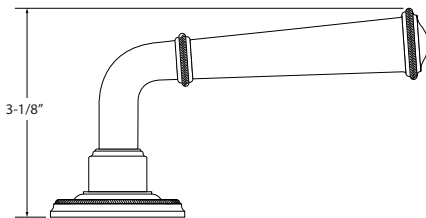
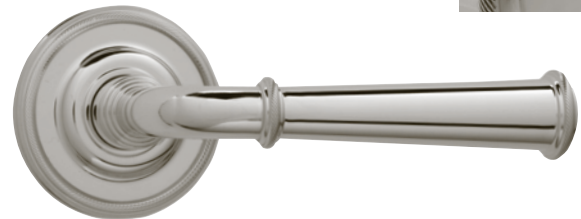
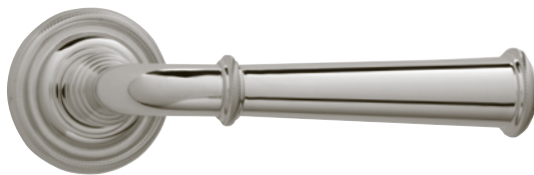
page 19

material

solid brass

LEVER SETS

INTERIOR



HOW TO ORDER

- 1 Specify application.
- 2 Specify finish. If split finish required, please indicate exterior/interior.
- 3 Specify door thickness. Standard thickness is 1-3/8".
- 4 Specify backset. Standard backset is 2-3/8".
- 5 Specify hand of door – RH/LH – for half dummy lever.
- 6 Specify if pre-drilled adapters are required. (part #9749)
- 7 Specify hand and swing for mortise.

REMEMBER...

- 1 FULL LIP strikes are standard. Specify SUB 'T' strike, if required.
- 2 Consider utilizing an interior mortise lock for quality installations.
- 3 All levers and roses are interchangeable.
- 4 Standard backset is 2-3/8" for tubular. If required specify 2-3/4".
2-1/2" for mortise. If required specify 2-3/4".

Interior Lever Sets

2" Rose Sets

- 16121 Cross Hatch Lever Set - PASSAGE
- 16122 Cross Hatch Lever Set - PRIVACY
- 16123 Cross Hatch Lever Set - SECTIONAL PRIVACY
- 16124 Cross Hatch Lever Set - FULL DUMMY
- 16125 Cross Hatch Lever Set - HALF DUMMY

- 16128 Cross Hatch Lever Mortise Set - PASSAGE
- 16129 Cross Hatch Lever Mortise Set - PRIVACY

2-9/16" Rose Sets

- 16131 Cross Hatch Lever Set - PASSAGE
- 16132 Cross Hatch Lever Set - PRIVACY
- 16133 Cross Hatch Lever Set - SECTIONAL PRIVACY
- 16134 Cross Hatch Lever Set - FULL DUMMY
- 16135 Cross Hatch Lever Set - HALF DUMMY

- 16120 Cross Hatch Lever Only 4-5/8"
- 14084 Cross Hatch Rose Only 2"
- 14094 Cross Hatch Rose Only 2-9/16"

standard finishes

AB | ABB | BB | BZ | KN | PA | PB | PBNL | TN | WB | WZ
 ABN | AN | AP | BN | MB | NC | PC | PN | SN | WA | WC | WN | WP

premium finishes

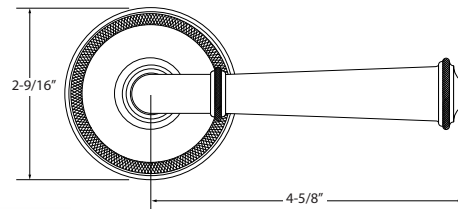
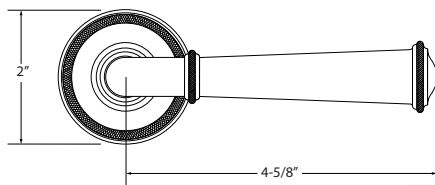
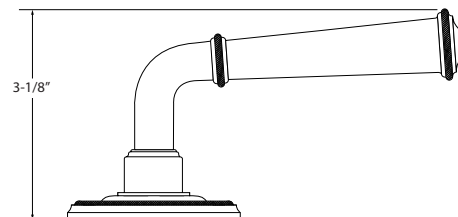
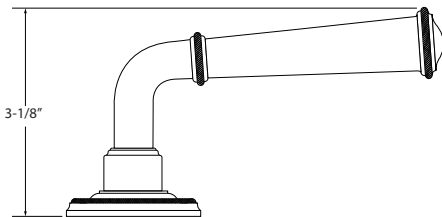
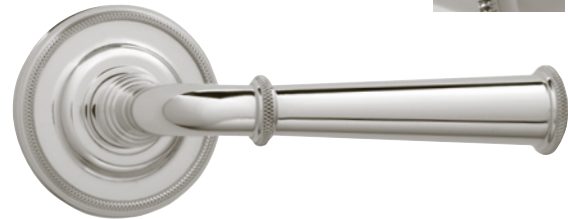
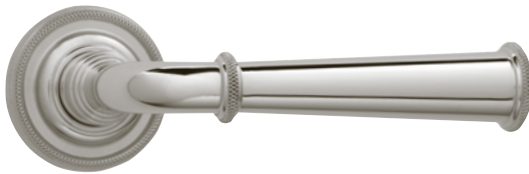
APS | APN | PB-PVD | PS | SS | SCR | PCR | SC
 gold plating available upon request

price list

page 19

material

solid brass



SET COMPONENTS

Lever and Rosette – Passage Set includes two rosettes (passage), two levers, passage latch (2-3/8" backset), full lip strike, latch faceplate, 4" straight spindle (8mm), two rosette mount plates, two rosette mount plate hubs, dust box and mounting hardware.

NOTE: if required, order pre-drilled adapter (part # 9749) separately.

Lever and Rosette – Privacy Set includes two rosettes (privacy), two levers, privacy latch (2-3/8" backset), full lip strike, latch faceplate, 4" swivel spindle (8mm), two rosette mount plates, two rosette mount plate hubs, privacy pin, dust box and mounting hardware. **NOTE:** if required, order pre-drilled adapter (part # 9749) separately.

Lever and Rosette – Full Dummy includes two rosettes, two levers, 4" straight spindle (8mm), two dummy rosette mount plates, two rosette mount plate hubs and mounting hardware.

Lever and Rosette – Half Dummy includes rosette, lever, dummy mount spindle, rosette mount plate hub and mounting hardware.

INTERIOR LEVER SETS



Interior Lever Sets

2" Rose Sets

- 16141 Coin Lever Set - PASSAGE
- 16142 Coin Lever Set - PRIVACY
- 16143 Coin Lever Set - SECTIONAL PRIVACY
- 16144 Coin Lever Set - FULL DUMMY
- 16145 Coin Lever Set - HALF DUMMY

- 16148 Coin Lever Mortise Set - PASSAGE
- 16149 Coin Lever Mortise Set - PRIVACY

2-9/16" Rose Sets

- 16151 Coin Lever Set - PASSAGE
- 16152 Coin Lever Set - PRIVACY
- 16153 Coin Lever Set - SECTIONAL PRIVACY
- 16154 Coin Lever Set - FULL DUMMY
- 16155 Coin Lever Set - HALF DUMMY

- 16140 Coin Lever Only 4-5/8"
- 14082 Coin Rose Only 2"
- 14092 Coin Rose Only 2-9/16"

standard finishes

AB | ABB | BB | BZ | KN | PA | PB | PBNL | TN | WB | WZ
 ABN | AN | AP | BN | MB | NC | PC | PN | SN | WA | WC | WN | WP

premium finishes

APS | APN | PB-PVD | PS | SS | SCR | PCR | SC
 gold plating available upon request

price list

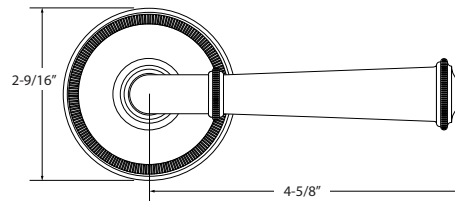
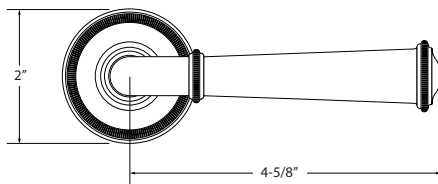
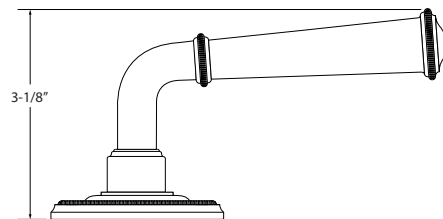
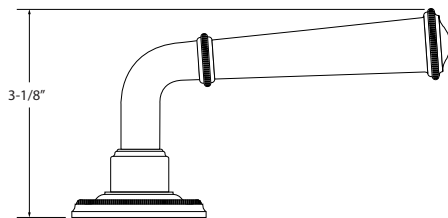
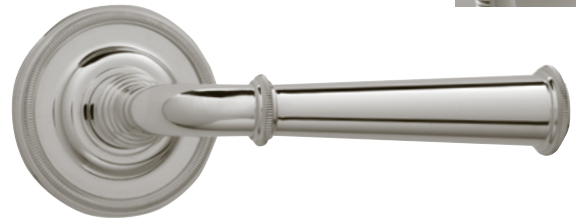
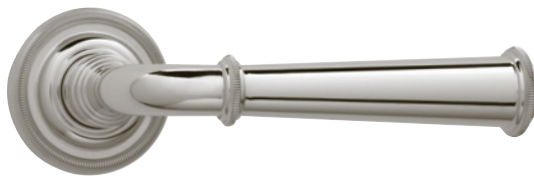
page 19

material

solid brass

LEVER SETS

INTERIOR



HOW TO ORDER

- 1 Specify application.
- 2 Specify finish. If split finish required, please indicate exterior/interior.
- 3 Specify door thickness. Standard thickness is 1-3/8".
- 4 Specify backset. Standard backset is 2-3/8".
- 5 Specify hand of door – RH/LH – for half dummy lever.
- 6 Specify if pre-drilled adapters are required. (part #9749)
- 7 Specify hand and swing for mortise.

REMEMBER...

- 1 FULL LIP strikes are standard. Specify SUB 'T' strike, if required.
- 2 Consider utilizing an interior mortise lock for quality installations.
- 3 All levers and roses are interchangeable.
- 4 Standard backset is 2-3/8" for tubular. If required specify 2-3/4".
2-1/2" for mortise. If required specify 2-3/4".

Interior Lever Sets

2" Rose Sets

- 16161 Bead Lever Set - PASSAGE
- 16162 Bead Lever Set - PRIVACY
- 16163 Bead Lever Set - SECTIONAL PRIVACY
- 16164 Bead Lever Set - FULL DUMMY
- 16165 Bead Lever Set - HALF DUMMY

- 16168 Bead Lever Mortise Set - PASSAGE
- 16169 Bead Lever Mortise Set - PRIVACY

2-9/16" Rose Sets

- 16171 Bead Lever Set - PASSAGE
- 16172 Bead Lever Set - PRIVACY
- 16173 Bead Lever Set - SECTIONAL PRIVACY
- 16174 Bead Lever Set - FULL DUMMY
- 16175 Bead Lever Set - HALF DUMMY

- 16160 Bead Lever Only 4-5/8"
- 14083 Bead Rose Only 2"
- 14093 Bead Rose Only 2-9/16"

standard finishes

AB | ABB | BB | BZ | KN | PA | PB | PBNL | TN | WB | WZ
 ABN | AN | AP | BN | MB | NC | PC | PN | SN | WA | WC | WN | WP

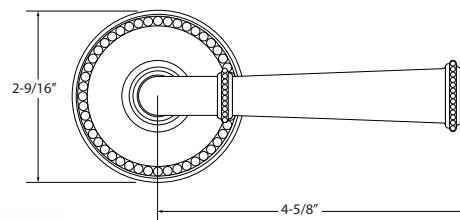
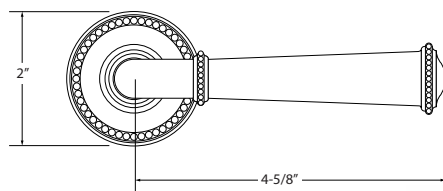
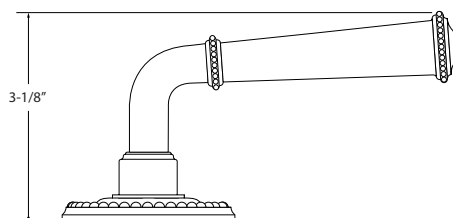
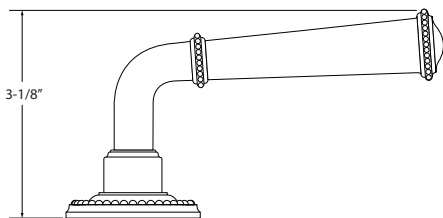
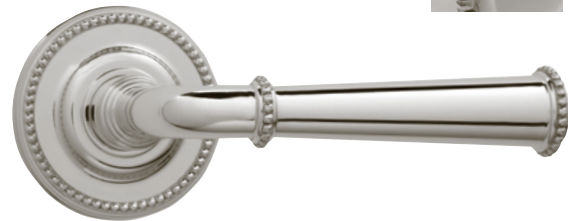
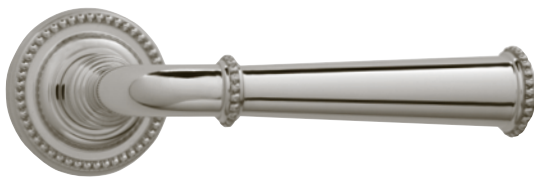
premium finishes

APS | APN | PB-PVD | PS | SS | SCR | PCR | SC
 gold plating available upon request

price list

page 20

material



SET COMPONENTS

Lever and Rosette – Passage Set includes two rosettes (passage), two levers, passage latch (2-3/8" backset), full lip strike, latch faceplate, 4" straight spindle (8mm), two rosette mount plates, two rosette mount plate hubs, dust box and mounting hardware.

NOTE: if required, order pre-drilled adapter (part # 9749) separately.

Lever and Rosette – Privacy Set includes two rosettes (privacy), two levers, privacy latch (2-3/8" backset), full lip strike, latch faceplate, 4" swivel spindle (8mm), two rosette mount plates, two rosette mount plate hubs, privacy pin, dust box and mounting hardware. **NOTE:** if required, order pre-drilled adapter (part # 9749) separately.

Lever and Rosette – Full Dummy includes two rosettes, two levers, 4" straight spindle (8mm), two dummy rosette mount plates, two rosette mount plate hubs and mounting hardware.

Lever and Rosette – Half Dummy includes rosette, lever, dummy mount spindle, rosette mount plate hub and mounting hardware.

INTERIOR LEVER SETS

Interior Lever Sets

2" Rose Sets

- 16181 Lever Set - PASSAGE
- 16182 Lever Set - PRIVACY
- 16183 Lever Set - SECTIONAL PRIVACY
- 16184 Lever Set - FULL DUMMY
- 16185 Lever Set - HALF DUMMY

- 16188 Lever Mortise Set - PASSAGE
- 16189 Lever Mortise Set - PRIVACY

2-9/16" Rose Sets

- 16191 Lever Set - PASSAGE
- 16192 Lever Set - PRIVACY
- 16193 Lever Set - SECTIONAL PRIVACY
- 16194 Lever Set - FULL DUMMY
- 16195 Lever Set - HALF DUMMY

- 16180 Lever Only 4-5/8"
- 14080 Rose Only 2"
- 14090 Rose Only 2-9/16"

standard finishes

AB | ABB | BB | BZ | KN | PA | PB | PBNL | TN | WB | WZ
 ABN | AN | AP | BN | MB | NC | PC | PN | SN | WA | WC | WN | WP

premium finishes

APS | APN | PB-PVD | PS | SS | SCR | PCR | SC
 gold plating available upon request

price list

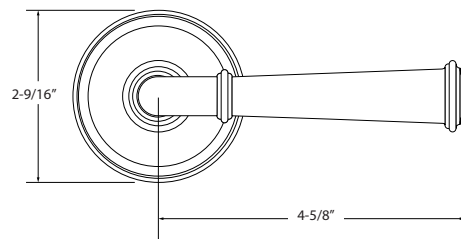
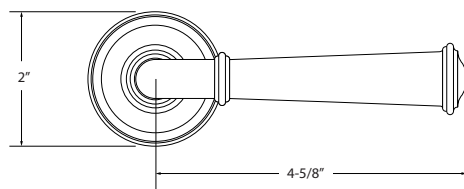
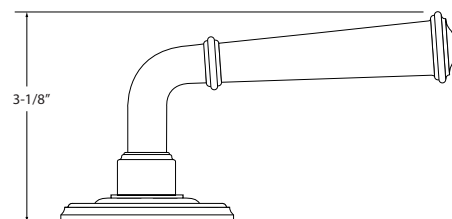
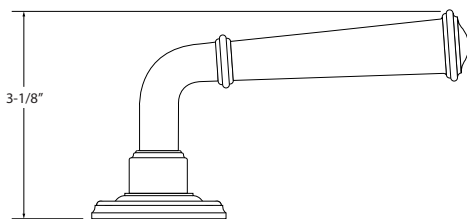
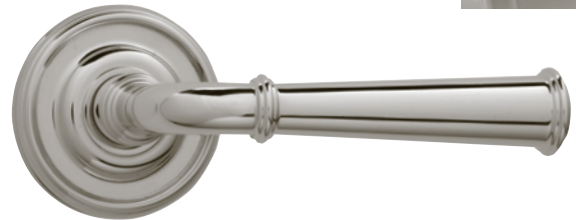
page 20

material

solid brass

LEVER SETS

INTERIOR



HOW TO ORDER

- 1 Specify application.
- 2 Specify finish. If split finish required, please indicate exterior/interior.
- 3 Specify door thickness. Standard thickness is 1-3/8".
- 4 Specify backset. Standard backset is 2-3/8".
- 5 Specify hand of door – RH/LH – for half dummy lever.
- 6 Specify if pre-drilled adapters are required. (part #9749)
- 7 Specify hand and swing for mortise.

REMEMBER...

- 1 FULL LIP strikes are standard. Specify SUB 'T' strike, if required.
- 2 Consider utilizing an interior mortise lock for quality installations.
- 3 All levers and roses are interchangeable.
- 4 Standard backset is 2-3/8" for tubular. If required specify 2-3/4".
2-1/2" for mortise. If required specify 2-3/4".

Interior Lever Sets

2" Rose Sets

- 16201 Lever Set - PASSAGE
- 16202 Lever Set - PRIVACY
- 16203 Lever Set - SECTIONAL PRIVACY
- 16204 Lever Set - FULL DUMMY
- 16205 Lever Set - HALF DUMMY

- 16208 Lever Mortise Set - PASSAGE
- 16209 Lever Mortise Set - PRIVACY

2-9/16" Rose Sets

- 16211 Lever Set - PASSAGE
- 16212 Lever Set - PRIVACY
- 16213 Lever Set - SECTIONAL PRIVACY
- 16214 Lever Set - FULL DUMMY
- 16215 Lever Set - HALF DUMMY

- 16200 Lever Only 4-1/2"
- 14085 Rose Only 2"
- 14095 Rose Only 2-9/16"

standard finishes

AB | ABB | BB | BZ | KN | PA | PB | PBNL | TN | WB | WZ
 ABN | AN | AP | BN | MB | NC | PC | PN | SN | WA | WC | WN | WP

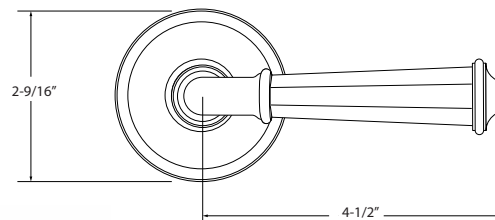
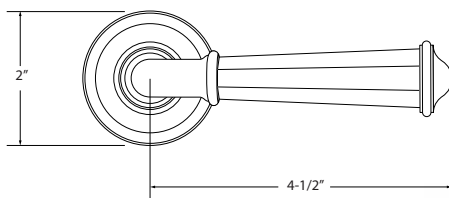
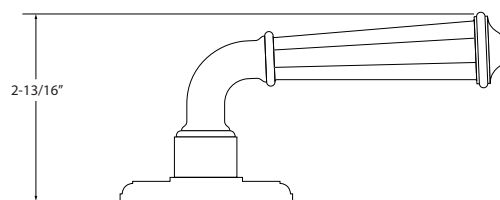
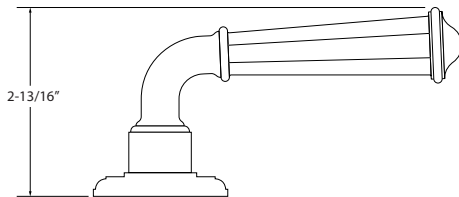
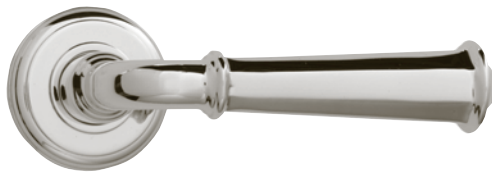
premium finishes

APS | APN | PB-PVD | PS | SS | SCR | PCR | SC
 gold plating available upon request

price list

page 21

material



SET COMPONENTS

Lever and Rosette – Passage Set includes two rosettes (passage), two levers, passage latch (2-3/8" backset), full lip strike, latch faceplate, 4" straight spindle (8mm), two rosette mount plates, two rosette mount plate hubs, dust box and mounting hardware.

NOTE: if required, order pre-drilled adapter (part # 9749) separately.

Lever and Rosette – Privacy Set includes two rosettes (privacy), two levers, privacy latch (2-3/8" backset), full lip strike, latch faceplate, 4" swivel spindle (8mm), two rosette mount plates, two rosette mount plate hubs, privacy pin, dust box and mounting hardware. **NOTE:** if required, order pre-drilled adapter (part # 9749) separately.

Lever and Rosette – Full Dummy includes two rosettes, two levers, 4" straight spindle (8mm), two dummy rosette mount plates, two rosette mount plate hubs and mounting hardware.

Lever and Rosette – Half Dummy includes rosette, lever, dummy mount spindle, rosette mount plate hub and mounting hardware.

Interior Lever Sets

2" Rose Sets

- 16221 Lever Set - PASSAGE
- 16222 Lever Set - PRIVACY
- 16223 Lever Set - SECTIONAL PRIVACY
- 16224 Lever Set - FULL DUMMY
- 16225 Lever Set - HALF DUMMY

- 16228 Lever Mortise Set - PASSAGE
- 16229 Lever Mortise Set - PRIVACY

2-9/16" Rose Sets

- 16231 Lever Set - PASSAGE
- 16232 Lever Set - PRIVACY
- 16233 Lever Set - SECTIONAL PRIVACY
- 16234 Lever Set - FULL DUMMY
- 16235 Lever Set - HALF DUMMY

- 16220 Lever Only 4-5/16"
- 14080 Rose Only 2"
- 14090 Rose Only 2-9/16"

standard finishes

AB | ABB | BB | BZ | KN | PA | PB | PBNL | TN | WB | WZ
 ABN | AN | AP | BN | MB | NC | PC | PN | SN | WA | WC | WN | WP

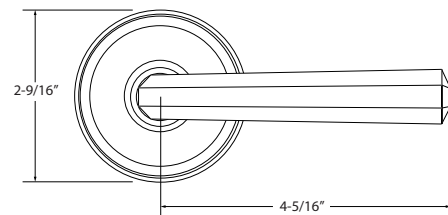
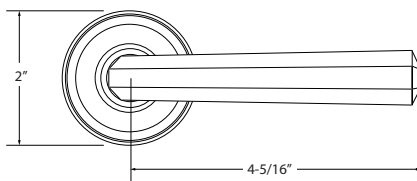
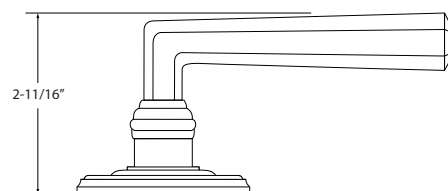
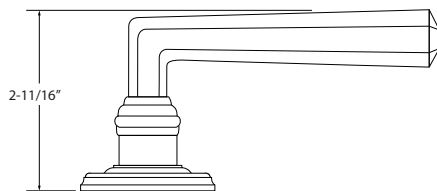
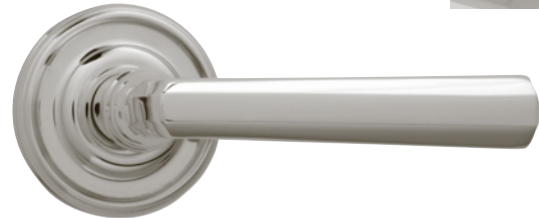
premium finishes

APS | APN | PB-PVD | PS | SS | SCR | PCR | SC
 gold plating available upon request

price list

page 21

material



HOW TO ORDER

- 1 Specify application.
- 2 Specify finish. If split finish required, please indicate exterior/interior.
- 3 Specify door thickness. Standard thickness is 1-3/8".
- 4 Specify backset. Standard backset is 2-3/8".
- 5 Specify hand of door – RH/LH – for half dummy lever.
- 6 Specify if pre-drilled adapters are required. (part #9749)
- 7 Specify hand and swing for mortise.

REMEMBER...

- 1 FULL LIP strikes are standard. Specify SUB 'T' strike, if required.
- 2 Consider utilizing an interior mortise lock for quality installations.
- 3 All levers and roses are interchangeable.
- 4 Standard backset is 2-3/8" for tubular. If required specify 2-3/4".
2-1/2" for mortise. If required specify 2-3/4".

Interior Lever Sets

2" Rose Sets

- 16301 Lever Set - PASSAGE
- 16302 Lever Set - PRIVACY
- 16303 Lever Set - SECTIONAL PRIVACY
- 16304 Lever Set - FULL DUMMY
- 16305 Lever Set - HALF DUMMY

- 16308 Lever Mortise Set - PASSAGE
- 16309 Lever Mortise Set - PRIVACY

2-9/16" Rose Sets

- 16311 Lever Set - PASSAGE
- 16312 Lever Set - PRIVACY
- 16313 Lever Set - SECTIONAL PRIVACY
- 16314 Lever Set - FULL DUMMY
- 16315 Lever Set - HALF DUMMY

- 16300 Lever Only 4-5/8"
- 14086 Rose Only 2"
- 14097 Rose Only 2-9/16"

standard finishes

AB | ABB | BB | BZ | KN | PA | PB | PBNL | TN | WB | WZ
 ABN | AN | AP | BN | MB | NC | PC | PN | SN | WA | WC | WN | WP

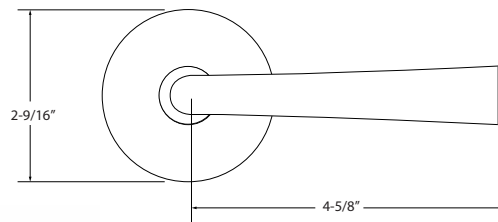
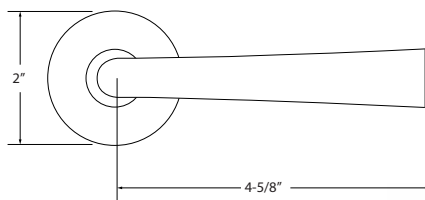
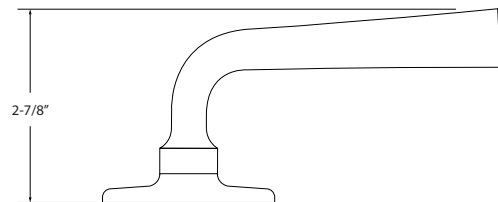
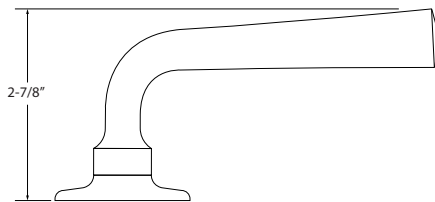
premium finishes

APS | APN | PB-PVD | PS | SS | SCR | PCR | SC
 gold plating available upon request

price list

page 21

material



SET COMPONENTS

Lever and Rosette – Passage Set includes two rosettes (passage), two levers, passage latch (2-3/8" backset), full lip strike, latch faceplate, 4" straight spindle (8mm), two rosette mount plates, two rosette mount plate hubs, dust box and mounting hardware.

NOTE: if required, order pre-drilled adapter (part # 9749) separately.

Lever and Rosette – Privacy Set includes two rosettes (privacy), two levers, privacy latch (2-3/8" backset), full lip strike, latch faceplate, 4" swivel spindle (8mm), two rosette mount plates, two rosette mount plate hubs, privacy pin, dust box and mounting hardware. **NOTE:** if required, order pre-drilled adapter (part # 9749) separately.

Lever and Rosette – Full Dummy includes two rosettes, two levers, 4" straight spindle (8mm), two dummy rosette mount plates, two rosette mount plate hubs and mounting hardware.

Lever and Rosette – Half Dummy includes rosette, lever, dummy mount spindle, rosette mount plate hub and mounting hardware.

INTERIOR LEVER SETS



Interior Lever Sets

2" Rose Sets

- 16321 Coin Lever Set - PASSAGE
- 16322 Coin Lever Set - PRIVACY
- 16323 Coin Lever Set - SECTIONAL PRIVACY
- 16324 Coin Lever Set - FULL DUMMY
- 16325 Coin Lever Set - HALF DUMMY

- 16328 Coin Lever Mortise Set - PASSAGE
- 16329 Coin Lever Mortise Set - PRIVACY

2-9/16" Rose Sets

- 16331 Coin Lever Set - PASSAGE
- 16332 Coin Lever Set - PRIVACY
- 16333 Coin Lever Set - SECTIONAL PRIVACY
- 16334 Coin Lever Set - FULL DUMMY
- 16335 Coin Lever Set - HALF DUMMY

- 16320 Coin Lever Only 4-5/8"
- 14082 Coin Rose Only 2"
- 14092 Coin Rose Only 2-9/16"

standard finishes

AB | ABB | BB | BZ | KN | PA | PB | PBNL | TN | WB | WZ
 ABN | AN | AP | BN | MB | NC | PC | PN | SN | WA | WC | WN | WP

premium finishes

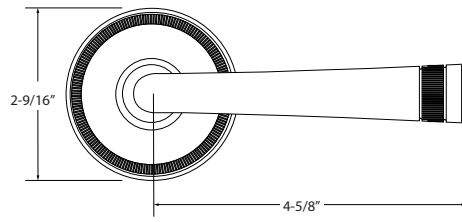
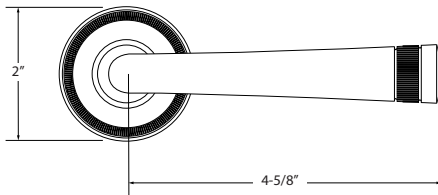
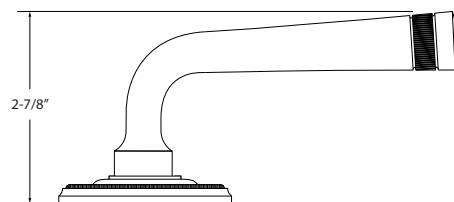
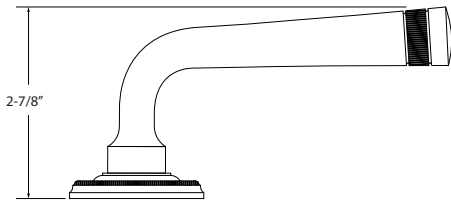
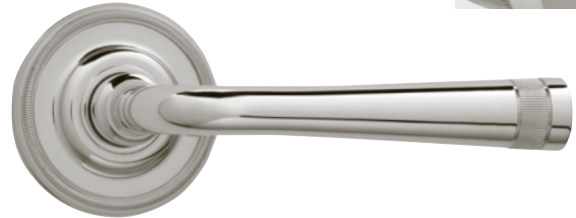
APS | APN | PB-PVD | PS | SS | SCR | PCR | SC
 gold plating available upon request

price list

page 22

material

solid brass



HOW TO ORDER

- 1 Specify application.
- 2 Specify finish. If split finish required, please indicate exterior/interior.
- 3 Specify door thickness. Standard thickness is 1-3/8".
- 4 Specify backset. Standard backset is 2-3/8".
- 5 Specify hand of door – RH/LH – for half dummy lever.
- 6 Specify if pre-drilled adapters are required. (part #9749)
- 7 Specify hand and swing for mortise.

REMEMBER...

- 1 FULL LIP strikes are standard. Specify SUB 'T' strike, if required.
- 2 Consider utilizing an interior mortise lock for quality installations.
- 3 All levers and roses are interchangeable.
- 4 Standard backset is 2-3/8" for tubular. If required specify 2-3/4".
 2-1/2" for mortise. If required specify 2-3/4".

LEVER SETS

INTERIOR

Interior Lever Sets

2" Rose Sets

- 16401 Lever Set - PASSAGE
- 16402 Lever Set - PRIVACY
- 16403 Lever Set - SECTIONAL PRIVACY
- 16404 Lever Set - FULL DUMMY
- 16405 Lever Set - HALF DUMMY

- 16408 Lever Mortise Set - PASSAGE
- 16409 Lever Mortise Set - PRIVACY

2-9/16" Rose Sets

- 16411 Lever Set - PASSAGE
- 16412 Lever Set - PRIVACY
- 16413 Lever Set - SECTIONAL PRIVACY
- 16414 Lever Set - FULL DUMMY
- 16415 Lever Set - HALF DUMMY

- 16400 Lever Only 4-1/2"
- 14088 Rose Only 2"
- 14098 Rose Only 2-9/16"

standard finishes

AB | ABB | BB | BZ | KN | PA | PB | PBNL | TN | WB | WZ
 ABN | AN | AP | BN | MB | NC | PC | PN | SN | WA | WC | WN | WP

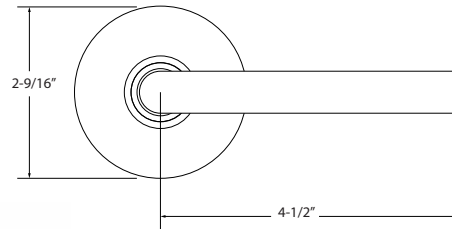
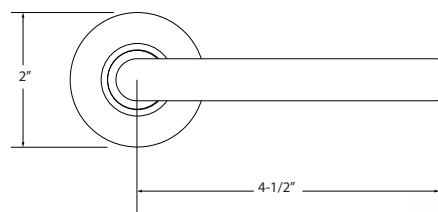
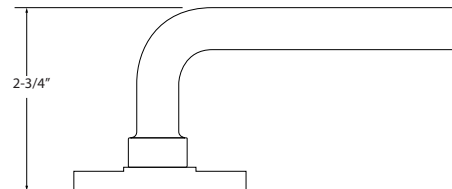
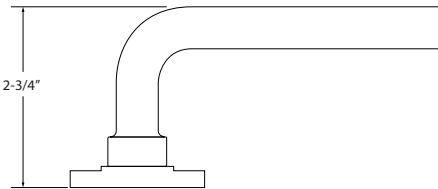
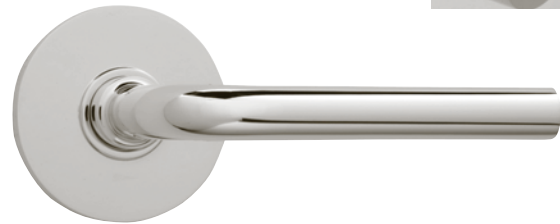
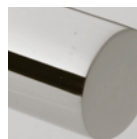
premium finishes

APS | APN | PB-PVD | PS | SS | SCR | PCR | SC
 gold plating available upon request

price list

page 22

material



SET COMPONENTS

Lever and Rosette – Passage Set includes two rosettes (passage), two levers, passage latch (2-3/8" backset), full lip strike, latch faceplate, 4" straight spindle (8mm), two rosette mount plates, two rosette mount plate hubs, dust box and mounting hardware.

NOTE: if required, order pre-drilled adapter (part # 9749) separately.

Lever and Rosette – Privacy Set includes two rosettes (privacy), two levers, privacy latch (2-3/8" backset), full lip strike, latch faceplate, 4" swivel spindle (8mm), two rosette mount plates, two rosette mount plate hubs, privacy pin, dust box and mounting hardware. **NOTE:** if required, order pre-drilled adapter (part # 9749) separately.

Lever and Rosette – Full Dummy includes two rosettes, two levers, 4" straight spindle (8mm), two dummy rosette mount plates, two rosette mount plate hubs and mounting hardware.

Lever and Rosette – Half Dummy includes rosette, lever, dummy mount spindle, rosette mount plate hub and mounting hardware.

INTERIOR

LEVER SETS

Interior Lever Sets

2" Rose Sets

- 16461 Lever Set - PASSAGE
- 16462 Lever Set - PRIVACY
- 16463 Lever Set - SECTIONAL PRIVACY
- 16464 Lever Set - FULL DUMMY
- 16465 Lever Set - HALF DUMMY

- 16468 Lever Mortise Set - PASSAGE
- 16469 Lever Mortise Set - PRIVACY

2-9/16" Rose Sets

- 16471 Lever Set - PASSAGE
- 16472 Lever Set - PRIVACY
- 16473 Lever Set - SECTIONAL PRIVACY
- 16474 Lever Set - FULL DUMMY
- 16475 Lever Set - HALF DUMMY

- 16460 Lever Only 4-1/2"
- 14089 Rose Only 2"
- 14099 Rose Only 2-9/16"

standard finishes

AB|ABB|BB|BZ|KN|PA|PB|PBNL|TN|WB|WZ
ABN|AN|AP|BN|MB|NC|PC|PN|SN|WA|WC|WN|WP

premium finishes

APS|APN|PB-PVD|PS|SS|SCR|PCR|SC
gold plating available upon request

price list

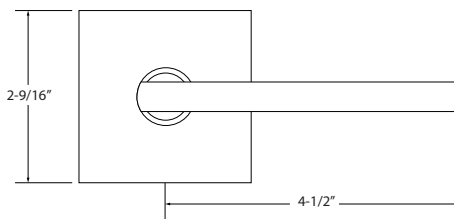
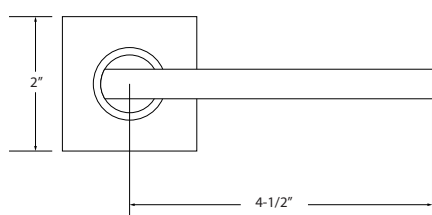
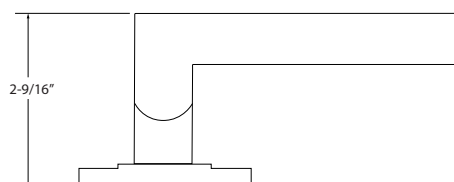
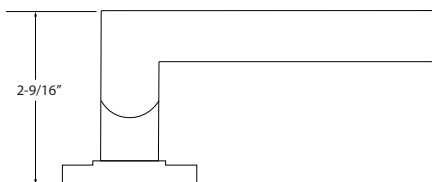
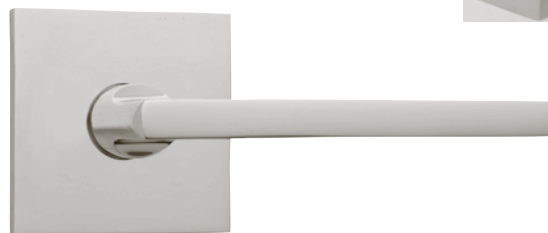
page 23

material

solid brass

LEVER SETS

INTERIOR



HOW TO ORDER

- 1 Specify application.
- 2 Specify finish. If split finish required, please indicate exterior/interior.
- 3 Specify door thickness. Standard thickness is 1-3/8".
- 4 Specify backset. Standard backset is 2-3/8".
- 5 Specify hand of door – RH/LH – for half dummy lever.
- 6 Specify if pre-drilled adapters are required. (part #9749)
- 7 Specify hand and swing for mortise.

REMEMBER...

- 1 FULL LIP strikes are standard. Specify SUB 'T' strike, if required.
- 2 Consider utilizing an interior mortise lock for quality installations.
- 3 All levers and roses are interchangeable.
- 4 Standard backset is 2-3/8" for tubular. If required specify 2-3/4".
2-1/2" for mortise. If required specify 2-3/4".

Pulls, Push Plates, and Pull Plates

14821 Pull 9" c-c

14813 Pull Plate 2-1/2" x 12"

14814 Pull Plate 2-1/2" x 20"

14806 Push Plate 1-1/2" x 10"

14807 Push Plate 2" x 11"

14808 Push Plate 2-1/2" x 12"

14809 Push Plate 2-1/2" x 20"

standard finishes

AB|ABB|BB|BZ|KN|PA|PB|PBNL|TN|WB|WZ
ABN|AN|AP|BN|MB|NC|PC|PN|SN|WA|WC|WN|WP

premium finishes

APS|APN|PB-PVD|PS|SS|SCR|PCR|SC
gold plating available upon request

price list

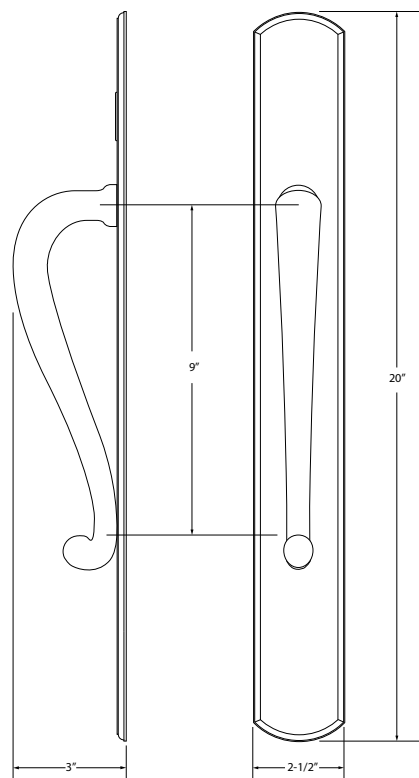
page 24

material

solid brass

PULL PLATES

PULLS, PUSH PLATES



HOW TO ORDER

- 1 Specify application.
- 2 Specify finish.
- 3 Specify door thickness. Standard thickness is 1-3/4".

REMEMBER...

- 1 Back-to-back applications for pulls and pull plates.
Specify part #9958 for upcharge.
- 2 Custom drilling available.
- 3 See page C-0 for edge and profile options.

Pulls, Push Plates, and Pull Plates

14821 Pull 9" c-c

14811 Pull Plate 2-1/2" x 12"

14812 Pull Plate 2-1/2" x 20"

14801 Push Plate 1-1/2" x 10"

14802 Push Plate 2" x 11"

14803 Push Plate 2-1/2" x 12"

14804 Push Plate 2-1/2" x 20"

standard finishes

AB | ABB | BB | BZ | KN | PA | PB | PBNL | TN | WB | WZ
 ABN | AN | AP | BN | MB | NC | PC | PN | SN | WA | WC | WN | WP

premium finishes

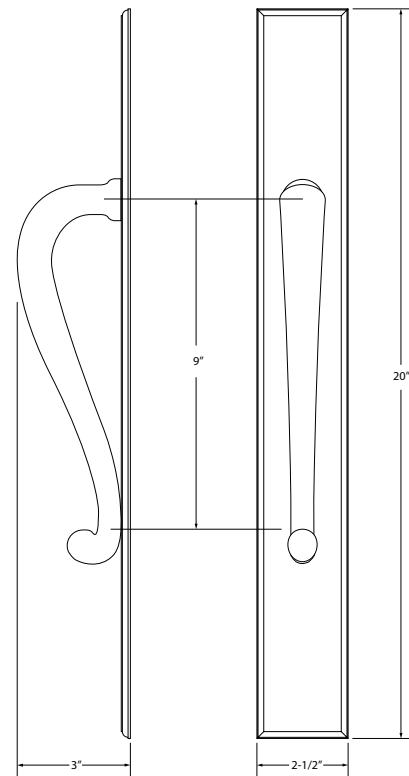
APS | APN | PB-PVD | PS | SS | SCR | PCR | SC
 gold plating available upon request

price list

page 24

material

solid brass



PULLS, PUSH PLATES
 PULL PLATES



HOW TO ORDER

- 1 Specify application.
- 2 Specify finish.
- 3 Specify door thickness. Standard thickness is 1-3/4".

REMEMBER...

- 1 Back-to-back applications for pulls and pull plates.
Specify part #9958 for upcharge.
- 2 Custom drilling available.
- 3 See page C-0 for edge and profile options.

Flush Pulls

- 14835 Flush Pull Only
- 14836 Flush Pull Set - PASSAGE w/9730 Edge Pull
- 14837 Flush Pull Set - PASSAGE w/Accurate 2000
- 14838 Flush Pull Set - PRIVACY w/Accurate 2002
- 14839 Flush Pull Set - ENTRANCE w/Accurate 2002

standard finishes

AB | ABB | BB | BZ | KN | PA | PB | PBNL | TN | WB | WZ
 ABN | AN | AP | BN | MB | NC | PC | PN | SN | WA | WC | WN | WP

premium finishes

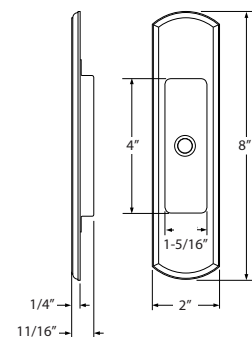
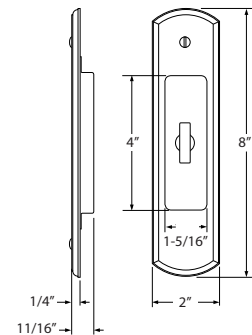
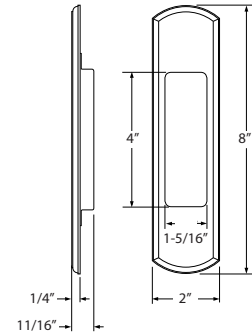
APS | APN | PB-PVD | PS | SS | SCR | PCR | SC
 gold plating available upon request

price list

page 24

material

solid brass



PULLS

FLUSH

HOW TO ORDER

- 1 Specify application.
- 2 Specify finish.
- 3 Specify door thickness. Standard thickness is 1-3/4".

REMEMBER...

- 1 Verify jamb clearance for escutcheon projection.
- 2 Edge Pulls available – Standard or Mortise.
- 3 Flush Pull locks, Edge Pulls and Cylinders must be ordered separately.
- 4 See page C-0 for edge and profile options.

Flush Pulls

- 14830** Flush Pull Only
- 14831** Flush Pull Set - PASSAGE w/9730 Edge Pull
- 14832** Flush Pull Set - PASSAGE w/Accurate 2000
- 14833** Flush Pull Set - PRIVACY w/Accurate 2002
- 14834** Flush Pull Set - ENTRANCE w/Accurate 2002

standard finishes

premium finishes

price list

material

AB | ABB | BB | BZ | KN | PA | PB | PBNL | TN | WB | WZ

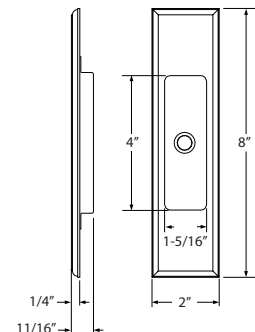
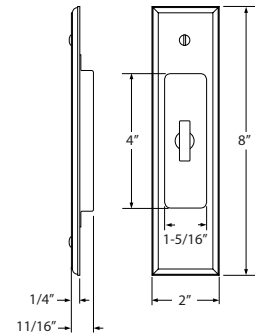
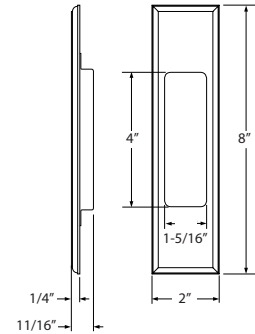
APS | APN | PB-PVD | PS | SS | SCR | PCR | SC

page 24

solid brass

ABN | AN | AP | BN | MB | NC | PC | PN | SN | WA | WC | WN | WP

gold plating available upon request



SET COMPONENTS

Flush Pull Only includes one flush pull ONLY and mounting hardware.

Flush Pull Set – Passage w/9730 includes two flush pulls, one edge pull and mounting hardware.

Flush Pull Set – Passage w/Accurate 2000 includes two flush pulls, Accurate 2000 edge pull and mounting hardware.

Flush Pull Set – Privacy w/Accurate 2002 includes exterior flush pulls w/EE trim, interior flush pull w/turnpiece, Accurate 2002 flush pull mortise lock, strike and mounting hardware.

Flush Pull Set – Entrance w/Accurate 2002 includes exterior flush pull machined for mortise cylinder, interior flush pull w/turnpiece attached, Accurate 2002 flush pull mortise lock, mortise cylinder, strike and mounting hardware.

FLUSH PULLS



Auxiliary Deadbolt Sets

- 14850 Auxiliary Deadbolt Set (KEY x TP) 2"
- 14851 Auxiliary Deadbolt Set (KEY x KEY) 2"
- 14852 Auxiliary Deadbolt Set (KEY x TP) 2-9/16"
- 14853 Auxiliary Deadbolt Set (KEY x KEY) 2-9/16"

- 14854 Bead Auxiliary Deadbolt Set (KEY x TP) 2"
- 14855 Bead Auxiliary Deadbolt Set (KEY x KEY) 2"
- 14856 Bead Auxiliary Deadbolt Set (KEY x TP) 2-9/16"
- 14857 Bead Auxiliary Deadbolt Set (KEY x KEY) 2-9/16"

standard finishes

AB|ABB|BB|BZ|KN|PA|PB|PBNL|TN|WB|WZ
 ABN|AN|AP|BN|MB|NC|PC|PN|SN|WA|WC|WN|WP

premium finishes

APS|APN|PB-PVD|PS|SS|SCR|PCR|SC
 gold plating available upon request

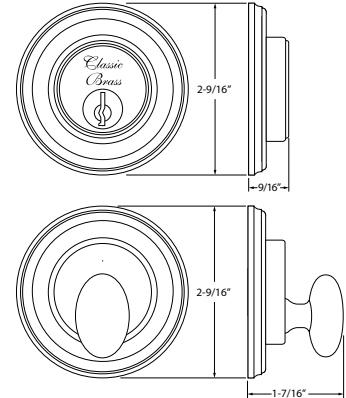
price list

page 24

material

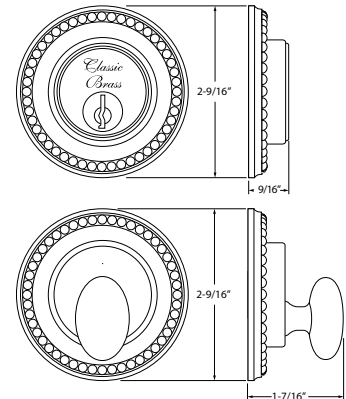
solid brass

DEADBOLT SETS



(Above set: 14852)

AUXILIARY



(Above set: 14856)

HOW TO ORDER

- 1 Specify application and collar size.
- 2 Specify finish. If split finish required, specify exterior/interior.
- 3 Specify door thickness. Standard thickness is 1-3/4".
- 4 Specify backset required. Standard is 2-3/8".

REMEMBER...

- 1 Available for thick doors.
- 2 Should you require key alike, please specify.
- 3 Standard backset 2-3/8". If required specify 2-3/4" backset.

Auxiliary Deadbolt Sets

14858 Coin Auxiliary Deadbolt Set (KEY x TP) 2"

14859 Coin Auxiliary Deadbolt Set (KEY x KEY) 2"

14860 Coin Auxiliary Deadbolt Set (KEY x TP) 2-9/16"

14861 Coin Auxiliary Deadbolt Set (KEY x KEY) 2-9/16"

14862 Cross Hatch Auxiliary Deadbolt Set (KEY x TP) 2"

14863 Cross Hatch Auxiliary Deadbolt Set (KEY x KEY) 2"

14864 Cross Hatch Auxiliary Deadbolt Set (KEY x TP) 2-9/16"

14865 Cross Hatch Auxiliary Deadbolt Set (KEY x KEY) 2-9/16"

standard finishes

AB | ABB | BB | BZ | KN | PA | PB | PBNL | TN | WB | WZ
ABN | AN | AP | BN | MB | NC | PC | PN | SN | WA | WC | WN | WP

premium finishes

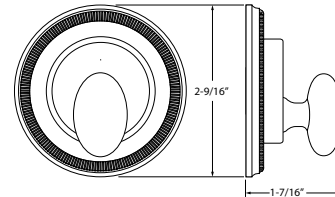
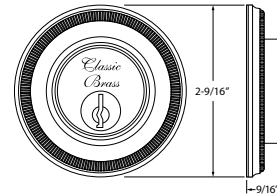
APS | APN | PB-PVD | PS | SS | SCR | PCR | SC
gold plating available upon request

price list

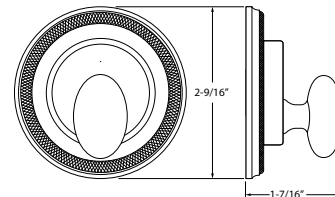
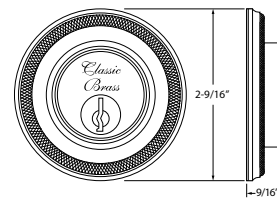
page 25

material

solid brass



(Above set: 14860)



(Above set: 14864)

SET COMPONENTS

Auxiliary Deadbolt Set (Key x TP) includes exterior cylinder collar, auxiliary deadbolt cylinder w/tailpiece, strike, faceplate, interior cylinder collar, interior turnpiece and plate and mounting hardware.

Auxiliary Deadbolt Set (Key x Key) includes exterior cylinder collar, two auxiliary deadbolt cylinders w/tailpiece, strike, faceplate, interior cylinder collar and mounting hardware.

AUXILIARY

DEADBOLT SETS



Auxiliary Deadbolt Sets

- 14866 Rope Auxiliary Deadbolt Set (KEY x TP) 2"
- 14867 Rope Auxiliary Deadbolt Set (KEY x KEY) 2"
- 14868 Rope Auxiliary Deadbolt Set (KEY x TP) 2-9/16"
- 14869 Rope Auxiliary Deadbolt Set (KEY x KEY) 2-9/16"

- 14870 Auxiliary Deadbolt Set (KEY x TP) 2"
- 14871 Auxiliary Deadbolt Set (KEY x KEY) 2"
- 14872 Auxiliary Deadbolt Set (KEY x TP) 2-9/16"
- 14873 Auxiliary Deadbolt Set (KEY x KEY) 2-9/16"

standard finishes

AB|ABB|BB|BZ|KN|PA|PB|PBNL|TN|WB|WZ
 ABN|AN|AP|BN|MB|NC|PC|PN|SN|WA|WC|WN|WP

premium finishes

APS|APN|PB-PVD|PS|SS|SCR|PCR|SC
 gold plating available upon request

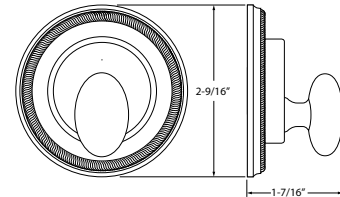
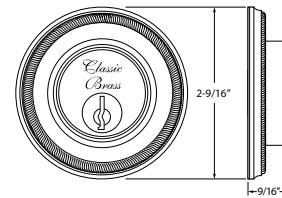
price list

page 25

material

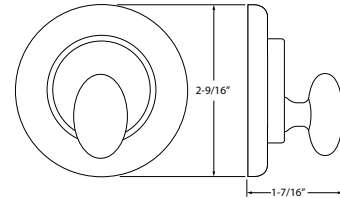
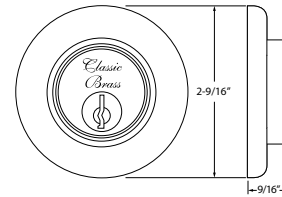
solid brass

DEADBOLT SETS



(Above set: 14868)

AUXILIARY



(Above set: 14872)

HOW TO ORDER

- 1 Specify application and collar size.
- 2 Specify finish. If split finish required, specify exterior/interior.
- 3 Specify door thickness. Standard thickness is 1-3/4".
- 4 Specify backset required. Standard is 2-3/8".

REMEMBER...

- 1 Available for thick doors.
- 2 Should you require key alike, please specify.
- 3 Standard backset 2-3/8". If required specify 2-3/4" backset.

Auxiliary Deadbolt Sets

- 14874 Auxiliary Deadbolt Set (KEY x TP) 2"
- 14875 Auxiliary Deadbolt Set (KEY x KEY) 2"
- 14876 Auxiliary Deadbolt Set (KEY x TP) 2-9/16"
- 14877 Auxiliary Deadbolt Set (KEY x KEY) 2-9/16"

- 14878 Auxiliary Deadbolt Set (KEY x TP) 2"
- 14879 Auxiliary Deadbolt Set (KEY x KEY) 2"
- 14880 Auxiliary Deadbolt Set (KEY x TP) 2-9/16"
- 14881 Auxiliary Deadbolt Set (KEY x KEY) 2-9/16"

standard finishes

AB | ABB | BB | BZ | KN | PA | PB | PBNL | TN | WB | WZ
 ABN | AN | AP | BN | MB | NC | PC | PN | SN | WA | WC | WN | WP

premium finishes

APS | APN | PB-PVD | PS | SS | SCR | PCR | SC
 gold plating available upon request

price list

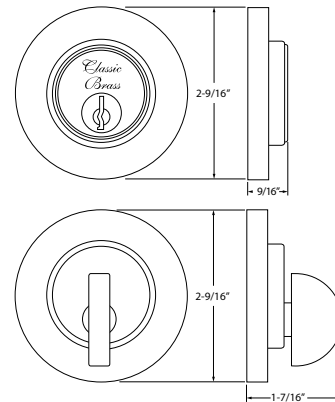
page 25

material

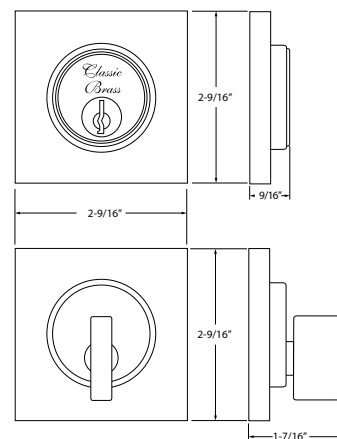
solid brass



(Above set: 14876)



(Above set: 14880)



AUXILIARY

DEADBOLT SETS

SET COMPONENTS

Auxiliary Deadbolt Set (Key x TP) includes exterior cylinder collar, auxiliary deadbolt cylinder w/tailpiece, strike, faceplate, interior cylinder collar, interior turnpiece and plate and mounting hardware.

Auxiliary Deadbolt Set (Key x Key) includes exterior cylinder collar, two auxiliary deadbolt cylinders w/tailpiece, strike, faceplate, interior cylinder collar and mounting hardware.

Auxiliary Deadbolt Sets

- 14882 Auxiliary Deadbolt Set (KEY x TP) 2"
- 14883 Auxiliary Deadbolt Set (KEY x KEY) 2"
- 14884 Auxiliary Deadbolt Set (KEY x TP) 2-9/16"
- 14885 Auxiliary Deadbolt Set (KEY x KEY) 2-9/16"

- 14890 Auxiliary Deadbolt Set (KEY x TP) 2"
- 14891 Auxiliary Deadbolt Set (KEY x KEY) 2"
- 14892 Auxiliary Deadbolt Set (KEY x TP) 2-9/16"
- 14893 Auxiliary Deadbolt Set (KEY x KEY) 2-9/16"

standard finishes

AB|ABB|BB|BZ|KN|PA|PB|PBNL|TN|WB|WZ
 ABN|AN|AP|BN|MB|NC|PC|PN|SN|WA|WC|WN|WP

premium finishes

APS|APN|PB-PVD|PS|SS|SCR|PCR|SC
 gold plating available upon request

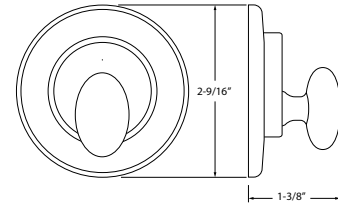
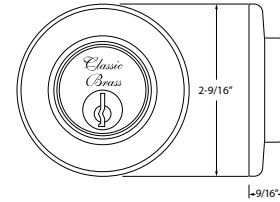
price list

page 25

material

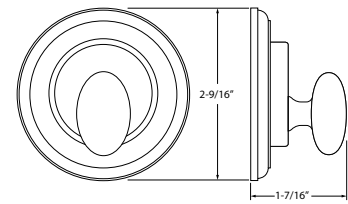
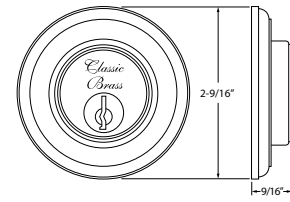
solid brass

DEADBOLT SETS



(Above set: 14884)

AUXILIARY



(Above set: 14892)

HOW TO ORDER

- 1 Specify application and collar size.
- 2 Specify finish. If split finish required, specify exterior/interior.
- 3 Specify door thickness. Standard thickness is 1-3/4".
- 4 Specify backset required. Standard is 2-3/8".

REMEMBER...

- 1 Available for thick doors.
- 2 Should you require key alike, please specify.
- 3 Standard backset 2-3/8". If required specify 2-3/4" backset.

Mortise Bolts

- 14900** Complete Mortise Bolt Set
- 14901** Turnpiece and Plate w/Mortise Bolt
- 14902** Turnpiece and Plate

- 14903** Complete Bead Mortise Bolt Set
- 14904** Bead Turnpiece and Plate w/Mortise Bolt
- 14905** Bead Turnpiece and Plate

standard finishes

AB | ABB | BB | BZ | KN | PA | PB | PBNL | TN | WB | WZ
 ABN | AN | AP | BN | MB | NC | PC | PN | SN | WA | WC | WN | WP

premium finishes

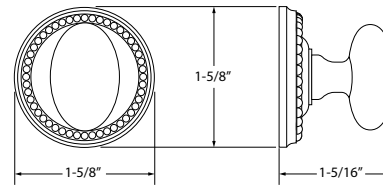
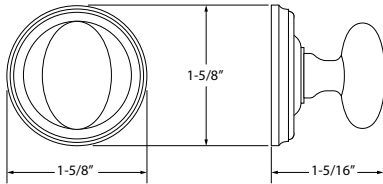
APS | APN | PB-PVD | PS | SS | SCR | PCR | SC
 gold plating available upon request

price list

page 26

material

solid brass



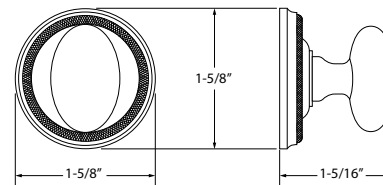
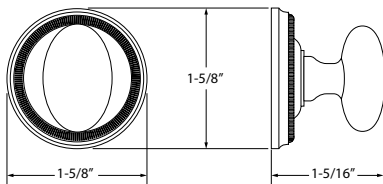
MORTISE



BOLTS

- 14906** Complete Coin Mortise Bolt Set
- 14907** Coin Turnpiece and Plate w/Mortise Bolt
- 14908** Coin Turnpiece and Plate

- 14909** Complete Cross Hatch Mortise Bolt Set
- 14910** Cross Hatch Turnpiece and Plate w/Mortise Bolt
- 14911** Cross Hatch Turnpiece and Plate



SET COMPONENTS

Complete Mortise Bolt Set includes turnpiece and plate, 2-3/8" b.s. mortise bolt, strike, faceplate, dust box, EE Trim and mounting hardware.

Turnpiece and Plate w/Mortise Bolt includes turnpiece and plate, 2-3/8" b.s. mortise bolt, strike, faceplate, dust box and mounting hardware.

Turnpiece and Plate includes turnpiece and plate ONLY and mounting hardware.

Mortise Bolts

- 14912 Complete Rope Mortise Bolt Set
- 14913 Rope Turnpiece and Plate w/Mortise Bolt
- 14914 Rope Turnpiece and Plate

- 14915 Complete Mortise Bolt Set
- 14916 Turnpiece and Plate w/Mortise Bolt
- 14917 Turnpiece and Plate

standard finishes

AB|ABB|BB|BZ|KN|PA|PB|PBNL|TN|WB|WZ
ABN|AN|AP|BN|MB|NC|PC|PN|SN|WA|WC|WN|WP

premium finishes

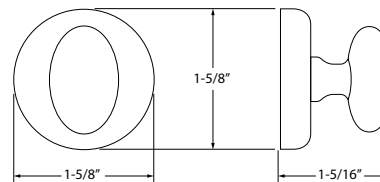
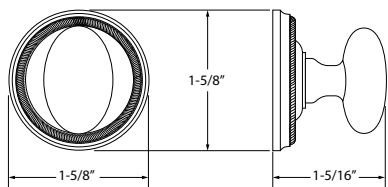
APS|APN|PB-PVD|PS|SS|SCR|PCR|SC
gold plating available upon request

price list

page 26

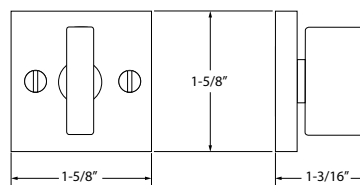
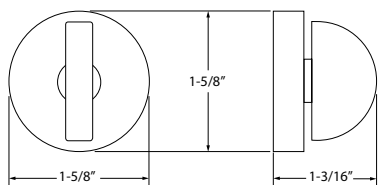
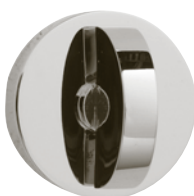
material

solid brass



- 14918 Complete Mortise Bolt Set
- 14919 Turnpiece and Plate w/Mortise Bolt
- 14920 Turnpiece and Plate

- 14921 Complete Mortise Bolt Set
- 14922 Turnpiece and Plate w/Mortise Bolt
- 14923 Turnpiece and Plate



HOW TO ORDER

- 1 Specify application.
- 2 Specify finish. If split finish required, specify exterior/interior.
- 3 Specify door thickness. Standard thickness is 1-3/4".
- 4 Specify backset required. Standard is 2-3/8".

REMEMBER...

- 1 Standard backset is 2-3/8". If required specify 2-3/4".
- 2 Available for thick doors.

Mortise Bolts

- 14924 Complete Mortise Bolt Set
- 14925 Turnpiece and Plate w/Mortise Bolt
- 14926 Turnpiece and Plate

- 14930 Complete Mortise Bolt Set
- 14931 Turnpiece and Plate w/Mortise Bolt
- 14932 Turnpiece and Plate

standard finishes

AB | ABB | BB | BZ | KN | PA | PB | PBNL | TN | WB | WZ
 ABN | AN | AP | BN | MB | NC | PC | PN | SN | WA | WC | WN | WP

premium finishes

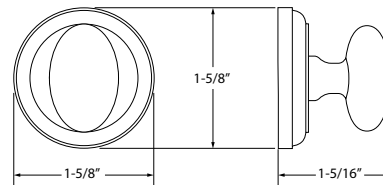
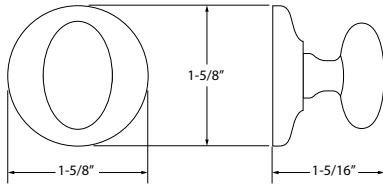
APS | APN | PB-PVD | PS | SS | SCR | PCR | SC
 gold plating available upon request

price list

page 27

material

solid brass



MORTISE

BOLTS



SET COMPONENTS

Complete Mortise Bolt Set includes turnpiece and plate, 2-3/8" b.s. mortise bolt, strike, faceplate, dust box, EE Trim and mounting hardware.

Turnpiece and Plate w/Mortise Bolt includes turnpiece and plate, 2-3/8" b.s. mortise bolt, strike, faceplate, dust box and mounting hardware.

Turnpiece and Plate includes turnpiece and plate ONLY and mounting hardware.

Cylinder Collars

- 14970 Rope Cylinder Collar
- 14971 Coin Cylinder Collar
- 14972 Bead Cylinder Collar

- 14973 Cross Hatch Cylinder Collar
- 14974 Cylinder Collar

standard finishes

AB | ABB | BB | BZ | KN | PA | PB | PBNL | TN | WB | WZ
 ABN | AN | AP | BN | MB | NC | PC | PN | SN | WA | WC | WN | WP

premium finishes

APS | APN | PB-PVD | PS | SS | SCR | PCR | SC
 gold plating available upon request

price list

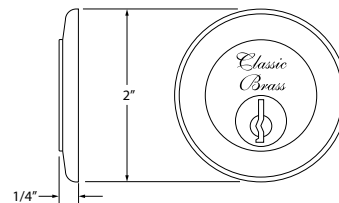
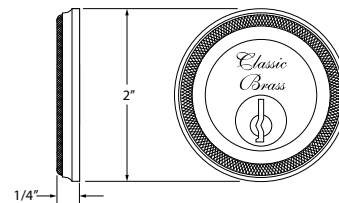
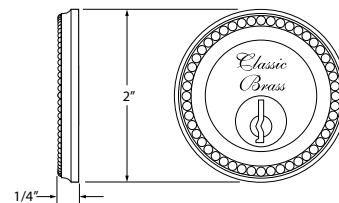
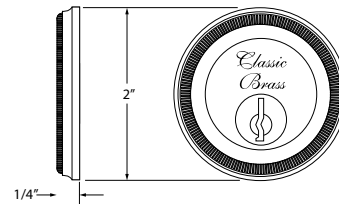
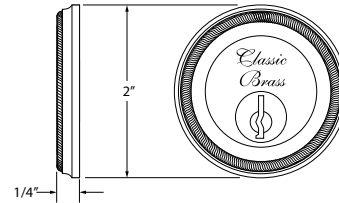
material

page 27

solid brass

COLLARS

CYLINDER



HOW TO ORDER

1 Specify finish.

REMEMBER...

1 Cylinders order separate.

Cylinder Collars

- 14975 Cylinder Collar
- 14976 Cylinder Collar
- 14977 Cylinder Collar

- 14979 Cylinder Collar
- 14980 Cylinder Collar

standard finishes

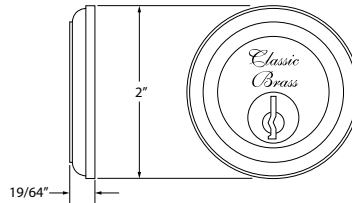
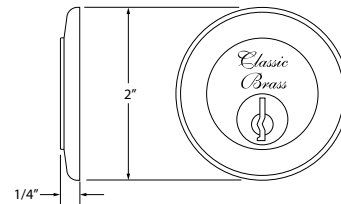
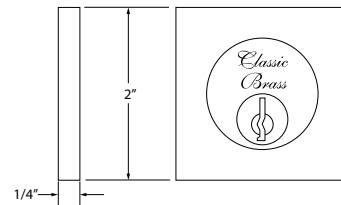
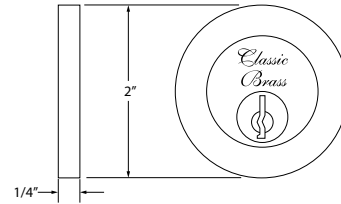
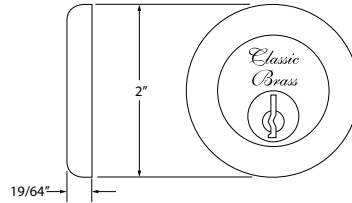
AB | ABB | BB | BZ | KN | PA | PB | PBNL | TN | WB | WZ
 ABN | AN | AP | BN | MB | NC | PC | PN | SN | WA | WC | WN | WP

premium finishes

APS | APN | PB-PVD | PS | SS | SCR | PCR | SC
 gold plating available upon request

price list material

page 27 solid brass



CYLINDER

COLLARS



HOW TO ORDER

1 Specify finish.

REMEMBER...

1 Cylinders order separate.

Doorbell Escutcheon

- 17040 Doorbell Escutcheon
- 17041 Rope Doorbell Escutcheon
- 17042 Coin Doorbell Escutcheon

- 17043 Bead Doorbell Escutcheon
- 17044 Cross Hatch Doorbell Escutcheon

standard finishes

AB | ABB | BB | BZ | KN | PA | PB | PBNL | TN | WB | WZ
 ABN | AN | AP | BN | MB | NC | PC | PN | SN | WA | WC | WN | WP

premium finishes

APS | APN | PB-PVD | PS | SS | SCR | PCR | SC
 gold plating available upon request

price list

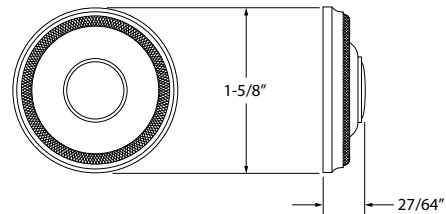
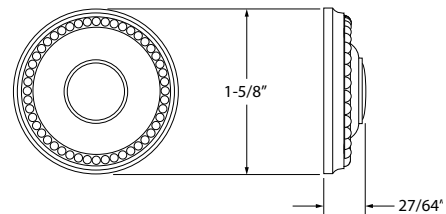
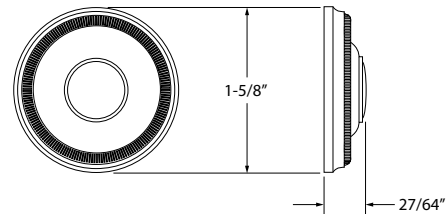
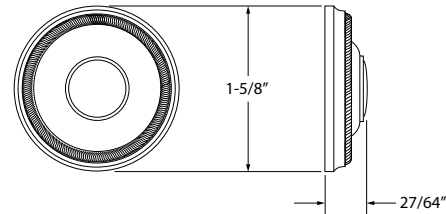
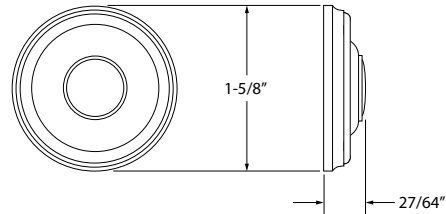
page 27

material

solid brass

ESCUTCHEONS

DOORBELL



HOW TO ORDER

- 1 Specify application.
- 2 Specify finish.

REMEMBER...

- 1 Doorbell button NOT included.

Doorbell Escutcheon

17045 Doorbell Escutcheon
 17046 Doorbell Escutcheon
 17047 Doorbell Escutcheon

17048 Doorbell Escutcheon
 17050 Doorbell Escutcheon

standard finishes

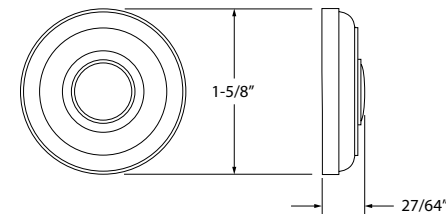
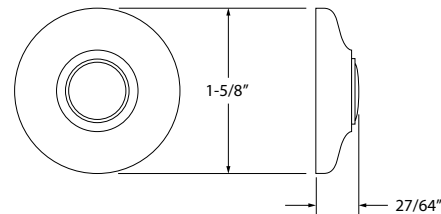
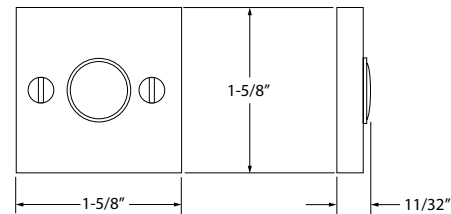
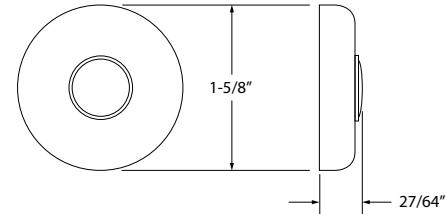
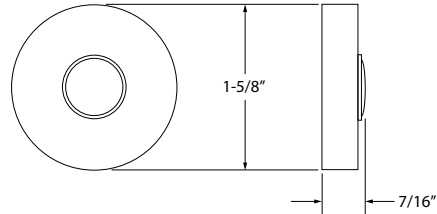
AB | ABB | BB | BZ | KN | PA | PB | PBNL | TN | WB | WZ
 ABN | AN | AP | BN | MB | NC | PC | PN | SN | WA | WC | WN | WP

premium finishes

APS | APN | PB-PVD | PS | SS | SCR | PCR | SC
 gold plating available upon request

price list material

page 27 solid brass



DOORBELL

ESCUTCHEONS



HOW TO ORDER

- 1 Specify application.
- 2 Specify finish.

REMEMBER...

- 1 Doorbell button NOT included.

fifth avenue

COLLECTION

Entrance Handle Sets	page FA-1
Entrance Knob Sets	page FA-2
Entrance Lever Sets	page FA-3
Multi Point Sets	pages FA-4/6
Multi Point Window	page 7
Interior Escutcheon Sets ...	pages FA-8/9
Knob Sets	pages FA-10/11
Lever Sets	pages FA-12/13
Push Plates/Pulls	page FA-14
Flush Pulls	page FA-15
Auxiliary Deadbolts	pages FA-16/17
Cylinder Collars	page FA-18
Mortise Bolts	page FA-19
Door Stop/Door Bell	page FA-20



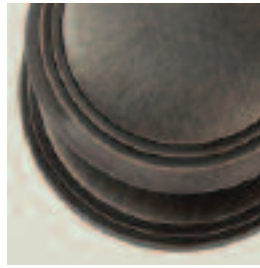
Classic Brass



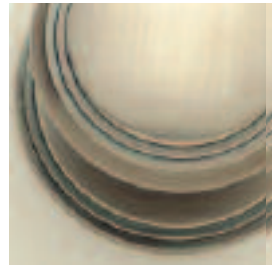
antique brass (AB)



antique burnished brass (ABB)



antique burnished nickel (ABN)



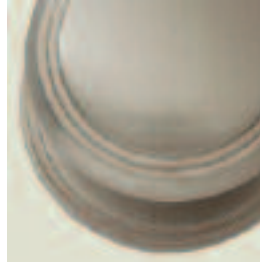
antique nickel (AN)



antique pewter (AP)



burnished brass (BB)



burnished nickel (BN)



oil rubbed bronze (BZ)



kensington (KN)



matte black (MB)



nickel copper (NC)



polished antique (PA)



polished brass (PB)



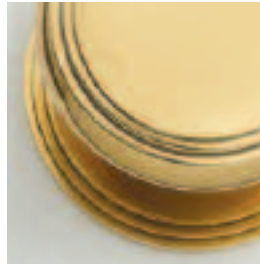
polished chrome (PC)



polished nickel (PN)



satin nickel (SN)



tarnished (TN)



weathered antq. nickel (WA)



weathered brass (WB)



weathered copper (WC)



weathered nickel (WN)



weathered pewter (WP)



weathered bronze (WZ)

PB-PVD and custom finishes available.

Entrance Handle Sets

- 7600** Complete Entrance Handle Set
- 7602** Complete Entrance Handle Set – Thumbpiece x Thumbpiece
- 7604** Complete Entrance Handle Set (less lock)
- 7606** Complete Entrance Handle Set – Full Dummy
- 7607** Complete Entrance Handle Set – Thumbpiece x Thumbpiece – Full Dummy

Above sets include 7773 Lever

standard finishes

AB	ABB	BB	BZ	KN	PA	PB	PBNL	TN	WB	WZ		
ABN	AN	AP	BN	MB	NC	PC	PN	SN	WA	WC	WN	WP

premium finishes

APS	APN	PB-PVD	PS	SS	SCR	PCR	SC
-----	-----	--------	----	----	-----	-----	----

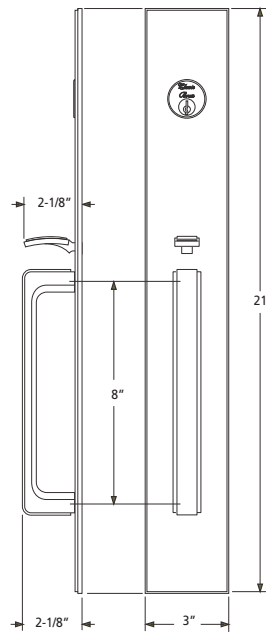
gold plating available upon request

price list

page 1

material

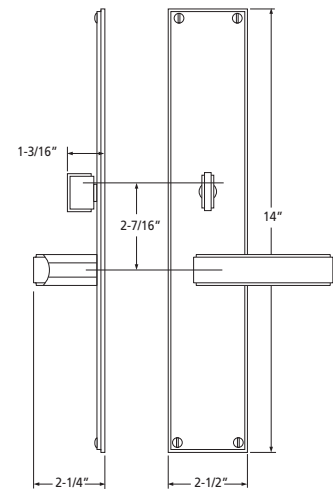
solid brass



EDGE OPTION
TWO STEP EDGE AVAILABLE



EDGE OPTION
BEVEL EDGE AVAILABLE



ENTRANCE

HANDLE SETS

HOW TO ORDER

- 1 Specify application.
- 2 Specify finish. If split finish required, please indicate exterior/interior.
- 3 Specify door thickness. Standard thickness is 1-3/4".
- 4 Specify hand of door – RH/LH.
- 5 Specify backset required. Standard is 2-1/2"

REMEMBER...

- 1 Standard mortise lock is 2-1/2" EE. Specify 2-3/4" if required.
- 2 Levers are standard. If knobs are required, specify part number.
- 3 All knobs and levers are interchangeable.
- 4 A door thickness greater than 1-3/4" will require a thick door kit.
- 5 Entrance handlesets are mortise lock ONLY.
- 6 Custom drilling is available.
- 7 Custom sizes and two step or bevel edge options available.

Entrance Knob Sets

7610 Complete Knob Mortise Entrance Set

7611 Complete Knob Mortise Entrance Set - Full Dummy

7612 Complete Knob Latch x Auxiliary Deadbolt Set (5-1/2" c-c)

7613 Complete Knob Latch x Auxiliary Deadbolt Set - Full Dummy

Above sets include 7765 Knob

standard finishes

AB	ABB	BB	BZ	KN	PA	PB	PBNL	TN	WB	WZ		
ABN	AN	AP	BN	MB	NC	PC	PN	SN	WA	WC	WN	WP

premium finishes

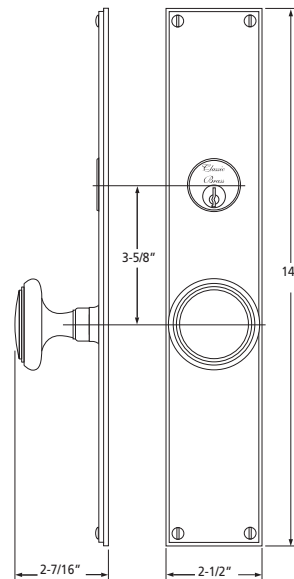
APS|APN|PB-PVD|PS|SS|SCR|PCR|SC
gold plating available upon request

price list

page 1

material

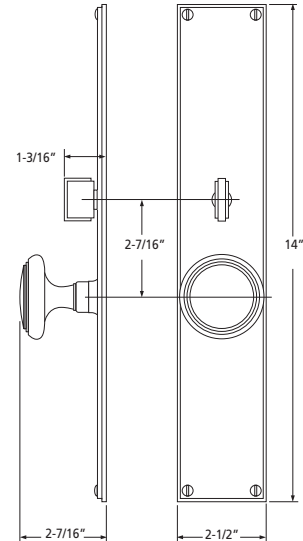
solid brass



EDGE OPTION
TWO STEP EDGE AVAILABLE



EDGE OPTION
BEVEL EDGE AVAILABLE



KNOB SETS

ENTRANCE

HOW TO ORDER

- 1 Specify application – mortise, latch x auxiliary deadbolt or full dummy.
- 2 Specify finish. If split finish required, please indicate exterior/interior.
- 3 Specify door thickness. Standard thickness is 1-3/4".
- 4 Specify hand of door – RH/LH.
- 5 Specify backset – standard for mortise lock is 2-1/2".
– standard for auxiliary deadbolt is 2-3/8".

REMEMBER...

- 1 Standard mortise lock is 2-1/2" EE. Specify 2-3/4" if required.
- 2 Standard latch x auxiliary deadbolt – 5-1/2" c-c spacing and 2-3/8" backset. If required, specify 2-3/4" backset.
- 3 All knobs and levers are interchangeable.
- 4 A door thickness greater than 1-3/4" will require a thick door kit.
- 5 Custom drilling available.
- 6 Custom sizes and two step or bevel edge options available.

Entrance Lever Sets

- 7616** Complete Lever Mortise Entrance Set
 - 7617** Complete Lever Mortise Entrance Set - Full Dummy
 - 7618** Complete Lever Latch x Auxiliary Deadbolt Set (5-1/2" c-c)
 - 7619** Complete Lever Latch x Auxiliary Deadbolt Set - Full Dummy
- Above sets include 7773 Lever

standard finishes

AB	ABB	BB	BZ	KN	PA	PB	PBNL	TN	WB	WZ		
ABN	AN	AP	BN	MB	NC	PC	PN	SN	WA	WC	WN	WP

premium finishes

APS	APN	PB-PVD	PS	SS	SCR	PCR	SC
-----	-----	--------	----	----	-----	-----	----

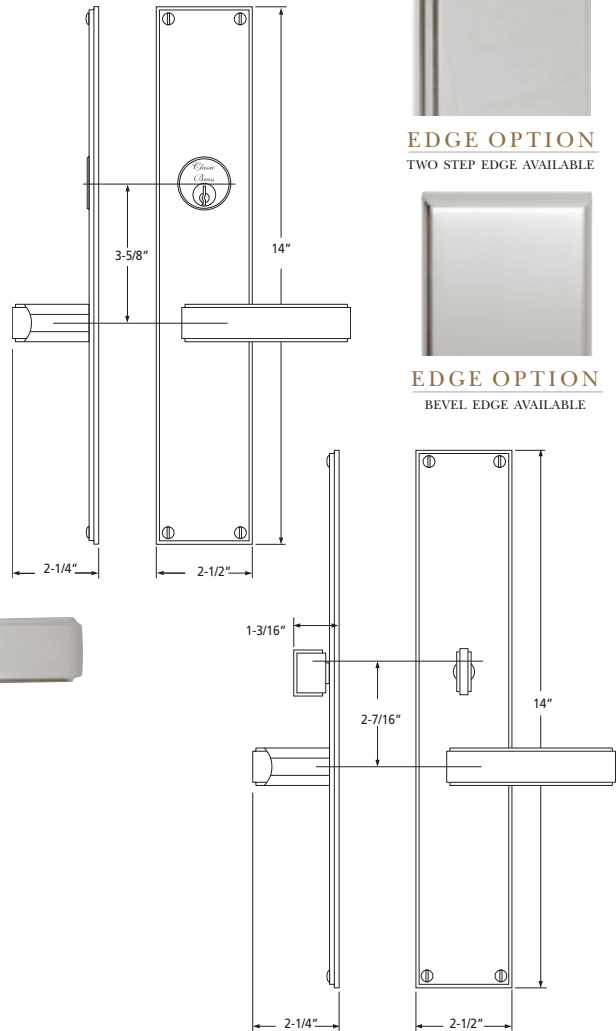
gold plating available upon request

price list

page 1

material

solid brass



ENTRANCE LEVER SETS

SET COMPONENTS

- Complete Entrance Knob (Lever) Set – Mortise Lock** includes exterior plate, interior plate with turnpiece, two knobs (levers), 4" swivel spindle (8mm), single cylinder mortise lock (2-1/2" backset) w/EE function, faceplate, strike, dust box, mortise cylinder and mounting hardware.
- Complete Entrance Knob (Lever) Set – Latch x Auxiliary Deadbolt** includes exterior plate, interior plate, two knobs (levers), passage latch (2-3/8"), 4" straight spindle (8mm), auxiliary deadbolt (2-3/8"), rim cylinder, turnpiece, latch faceplate, deadbolt faceplate, full lip strike, deadbolt strike, dust boxes and mounting hardware. NOTE: our standard spacing between knob (lever) hub and auxiliary deadbolt is 5-1/2" c-c
- Complete Entrance Knob (Lever) Set – Full Dummy** includes exterior plate, interior plate, two knobs (levers), 4" straight spindle (8mm) and mounting hardware.

Multi Point Sets – American Profile

2" x 12" Multi Point Sets

- 7664** Multi Point Complete Set
- 7665** Multi Point Full Dummy Set
- 7666** Multi Point Active Dummy Set
- 7667** Multi Point Patio Set

Above sets include 7773 Lever

2-1/2" x 14" Multi Point Sets

- 7670** Multi Point Complete Set
- 7671** Multi Point Full Dummy Set
- 7672** Multi Point Active Dummy Set
- 7673** Multi Point Patio Set

Above sets include 7773 Lever

standard finishes

AB	ABB	BB	BZ	KN	PA	PB	PBNL	TN	WB	WZ		
ABN	AN	AP	BN	MB	NC	PC	PN	SN	WA	WC	WN	WP

premium finishes

APS	APN	PB-PVD	PS	SS	SCR	PCR	SC
-----	-----	--------	----	----	-----	-----	----

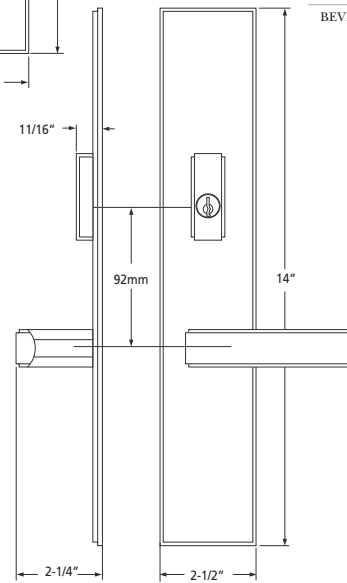
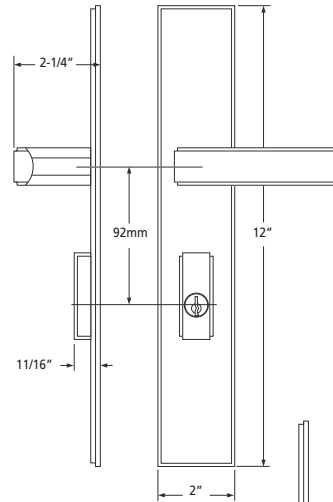
gold plating available upon request

price list

page 1

material

solid brass



EDGE OPTION
TWO STEP EDGE AVAILABLE



EDGE OPTION
BEVEL EDGE AVAILABLE

AMERICAN

MULTIPOINT

HOW TO ORDER

- 1 Specify application.
- 2 Specify finish. If split finish required, please indicate exterior/interior.
- 3 Specify door thickness. Standard thickness is 1-3/4".
- 4 Specify hand of door – RH/LH.
- 5 See Multipoint Check Sheet (form 500) for additional information.
- 6 Specify fixed or active exterior lever when ordering active dummy set.

REMEMBER...

- 1 Standard euro profile applications: lever high – 92mm spacing.
- 2 Standard american cylinder applications: lever high – 92mm spacing.
- 3 Specify lever low or custom c-c spacing required.
- 4 All levers are interchangeable.
- 5 Door thickness greater than 1-3/4" will require longer euro cylinders.
- 6 Cylinders INCLUDED w/all applications (collection turnpiece attached).
- 7 Strike not included.
- 8 Custom sizes and two step or bevel edge options available.
- 9 Euro offset cylinders available upon request - contact us.

Multi Point Sets – Euro Profile

2" x 12" Multi Point Sets

- 7650 Multi Point Complete Set
- 7651 Multi Point Full Dummy Set
- 7652 Multi Point Active Dummy Set
- 7653 Multi Point Patio Set

Above sets include 7773 Lever

2-1/2" x 14" Multi Point Sets

- 7656 Multi Point Complete Set
- 7657 Multi Point Full Dummy Set
- 7658 Multi Point Active Dummy Set
- 7659 Multi Point Patio Set

Above sets include 7773 Lever

standard finishes

AB	ABB	BB	BZ	KN	PA	PB	PBNL	TN	WB	WZ		
ABN	AN	AP	BN	MB	NC	PC	PN	SN	WA	WC	WN	WP

premium finishes

APS	APN	PB-PVD	PS	SS	SCR	PCR	SC
-----	-----	--------	----	----	-----	-----	----

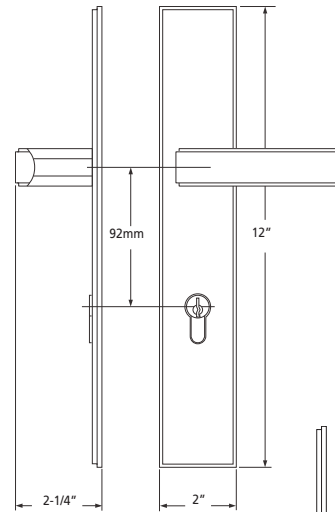
gold plating available upon request

price list

page 2

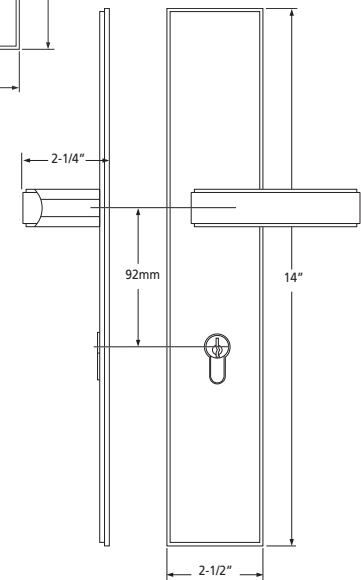
material

solid brass



EDGE OPTION
TWO STEP EDGE AVAILABLE

EDGE OPTION
BEVEL EDGE AVAILABLE



MULTIPOINT

EUROPEAN

SET COMPONENTS

Multi Point Complete Set – Euro (American) Profile includes two escutcheons, one pair of levers, 4" straight spindle, europrofile cylinder - 62mm - kxtp (american profile cylinder) and mounting hardware. NOTE: standard spacing between lever hub and the profile cylinder is 92mm.

Multi Point Full Dummy Set – Euro (American) Profile includes two escutcheons, one pair of levers, 4" straight spindle (8mm), two dummy mount plates and mounting hardware.

Multi Point Active Dummy Set – Euro (American) Profile includes two escutcheons, one pair of levers, 4" straight spindle (8mm) and mounting hardware.

Multi Point Patio Set – Euro (American) Profile includes exterior escutcheon, interior escutcheon (for American profile application turnpiece with tailpiece attached to escutcheon), one pair of levers, 4" straight spindle (8mm), Europrofile half cylinder - 31mm and mounting hardware. NOTE: standard spacing between lever hub and the profile cylinder is 92 mm.

Multi Point Sectional Sets – Euro Sectional

7450 Complete Euro M/P Sectional Set – Entrance
7451 Complete Euro M/P Sectional Set – Full Dummy
7452 Complete Euro M/P Sectional Set – Active Dummy
7453 Complete Euro M/P Sectional Set – Patio

Above sets include 7773 Lever

7460 Complete Euro M/P Sectional Set – Entrance
7461 Complete Euro M/P Sectional Set – Full Dummy
7462 Complete Euro M/P Sectional Set – Active Dummy
7463 Complete Euro M/P Sectional Set – Patio

Above sets include 7573 Lever

standard finishes

AB | ABB | BB | BZ | KN | PA | PB | PBNL | TN | WB | WZ |
 ABN | AN | AP | BN | MB | NC | PC | PN | SN | WA | WC | WN | WP

premium finishes

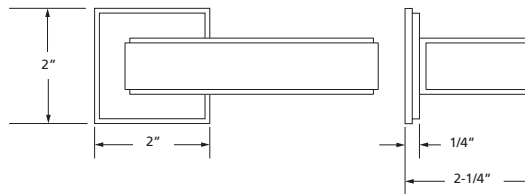
APS | APN | PB-PVD | PS | SS | SCR | PCR | SC
 gold plating available upon request

price list

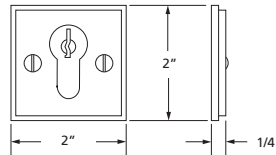
page 2

material

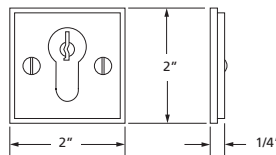
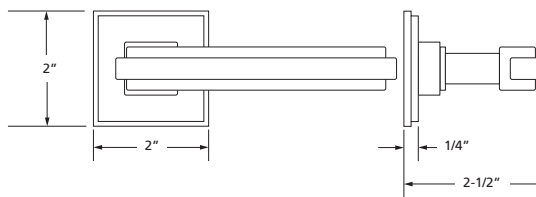
solid brass



EDGE OPTION
TWO STEP EDGE AVAILABLE



EDGE OPTION
BEVEL EDGE AVAILABLE



HOW TO ORDER

- 1 Specify application.
- 2 Specify finish. If split finish required, please indicate exterior/interior.
- 3 Specify door thickness. Standard thickness is 1-3/4".
- 4 Specify hand of door – RH/LH.
- 5 See Multipoint Check Sheet (form 500) for additional information.
- 6 Specify fixed or active exterior lever when ordering active dummy set.

REMEMBER...

- 1 Standard Euro profile applications: lever high – 92mm spacing
- 2 All levers are interchangeable.
- 3 Door thickness greater than 1-3/4" will require longer euro cylinders.
- 4 Cylinders INCLUDED w/ all applications (collection turnpiece attached).
- 5 Strike not included.
- 6 Custom sizes and two step or bevel edge options available.
- 7 Euro offset cylinders available upon request - contact us.

SECTIONAL

MULTIPOINT

Multi Point Window Operator

7455 Multi Point Window Trim

Above sets include 4582 Lever

NEW ITEMS

13

standard finishes

AB | ABB | BB | BZ | KN | PA | PB | PBNL | TN | WB | WZ |
 ABN | AN | AP | BN | MB | NC | PC | PN | SN | WA | WC | WN | WP

premium finishes

APS | APN | PB-PVD | PS | SS | SCR | PCR | SC
 gold plating available upon request

price list

page 2

material

solid brass



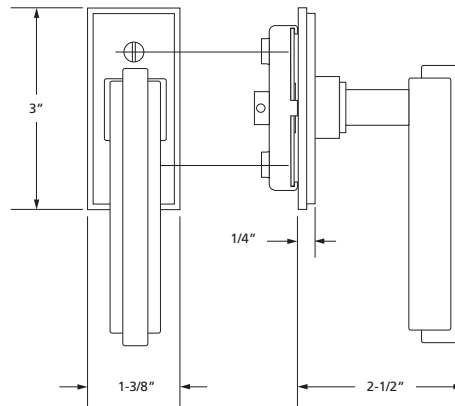
EDGE OPTION
TWO STEP EDGE AVAILABLE



EDGE OPTION
BEVEL EDGE AVAILABLE

MULTIPOINT

WINDOW



HOW TO ORDER

- 1 Specify finish.
- 2 Specify length of 7mm spindle from edge of sash.

REMEMBER...

- 1 7mm square spindle is standard.
- 2 43mm screw center to center – M5 oval slot head screws are standard.
- 3 Escutcheon width is a critical dimension, please verify.
- 4 Includes detent mechanism.

Interior Escutcheon Sets – Knob

2" x 12" Escutcheon Sets

- 7620** Interior Knob Set – Passage
- 7622** Interior Knob Set – Latch x Mortise Bolt
- 7623** Interior Knob Set – Full Dummy
- 7624** Interior Knob Set – Half Dummy

Above sets include 7765 Knob

2-1/2" x 14" Escutcheon Sets

- 7634** Interior Knob Set – Passage
- 7635** Interior Knob Set – Privacy
- 7636** Interior Knob Set – Latch x Mortise Bolt
- 7637** Interior Knob Set – Full Dummy
- 7638** Interior Knob Set – Half Dummy

Above sets include 7765 Knob

standard finishes

AB|ABB|BB|BZ|KN|PA|PB|PBNL|TN|WB|WZ|
ABN|AN|AP|BN|MB|NC|PC|PN|SN|WA|WC|WN|WP

premium finishes

APS|APN|PB-PVD|PS|SS|SCR|PCR|SC
gold plating available upon request

price list

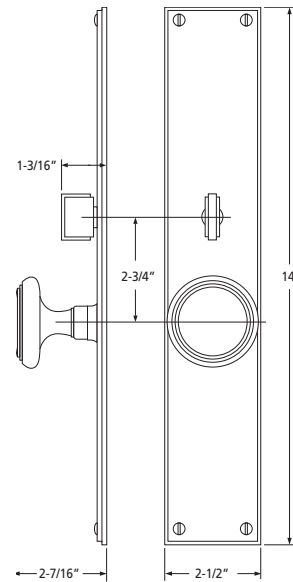
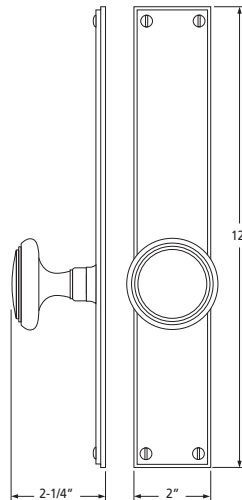
page 2

material

solid brass

ESCUTCHEONS

INTERIOR



EDGE OPTION
TWO STEP EDGE AVAILABLE



EDGE OPTION
BEVEL EDGE AVAILABLE

HOW TO ORDER

- 1 Specify application.
- 2 Specify finish. If split finish required, please indicate exterior/interior.
- 3 Specify door thickness. Standard thickness is 1-3/4".
- 4 Specify hand of door – RH/LH.
- 5 Specify backset required. Standard is 2-3/8".

REMEMBER...

- 1 Consider utilizing an interior mortise lock for quality installations.
- 2 All knobs & levers are interchangeable.
- 3 FULL LIP strikes are standard. Specify SUB 'T' strike, if required.
- 4 Standard backset is 2-3/8". If required specify 2-3/4".
- 5 Custom drilling available.
- 6 Combination strike and faceplate available for latch x mortise bolt function.
- 7 Custom sizes and two step or bevel edge options available.

Interior Escutcheon Sets – Lever

2" x 12" Escutcheon Sets

- 7627 Interior Lever Set – Passage
- 7629 Interior Lever Set – Latch x Mortise Bolt
- 7630 Interior Lever Set – Full Dummy
- 7631 Interior Lever Set – Half Dummy

Above sets include 7773 Lever

2-1/2" x 14" Escutcheon Sets

- 7642 Interior Lever Set – Passage
- 7643 Interior Lever Set – Privacy
- 7644 Interior Lever Set – Latch x Mortise Bolt
- 7645 Interior Lever Set – Full Dummy
- 7646 Interior Lever Set – Half Dummy

Above sets include 7773 Lever

standard finishes

AB | ABB | BB | BZ | KN | PA | PB | PBNL | TN | WB | WZ |
 ABN | AN | AP | BN | MB | NC | PC | PN | SN | WA | WC | WN | WP

premium finishes

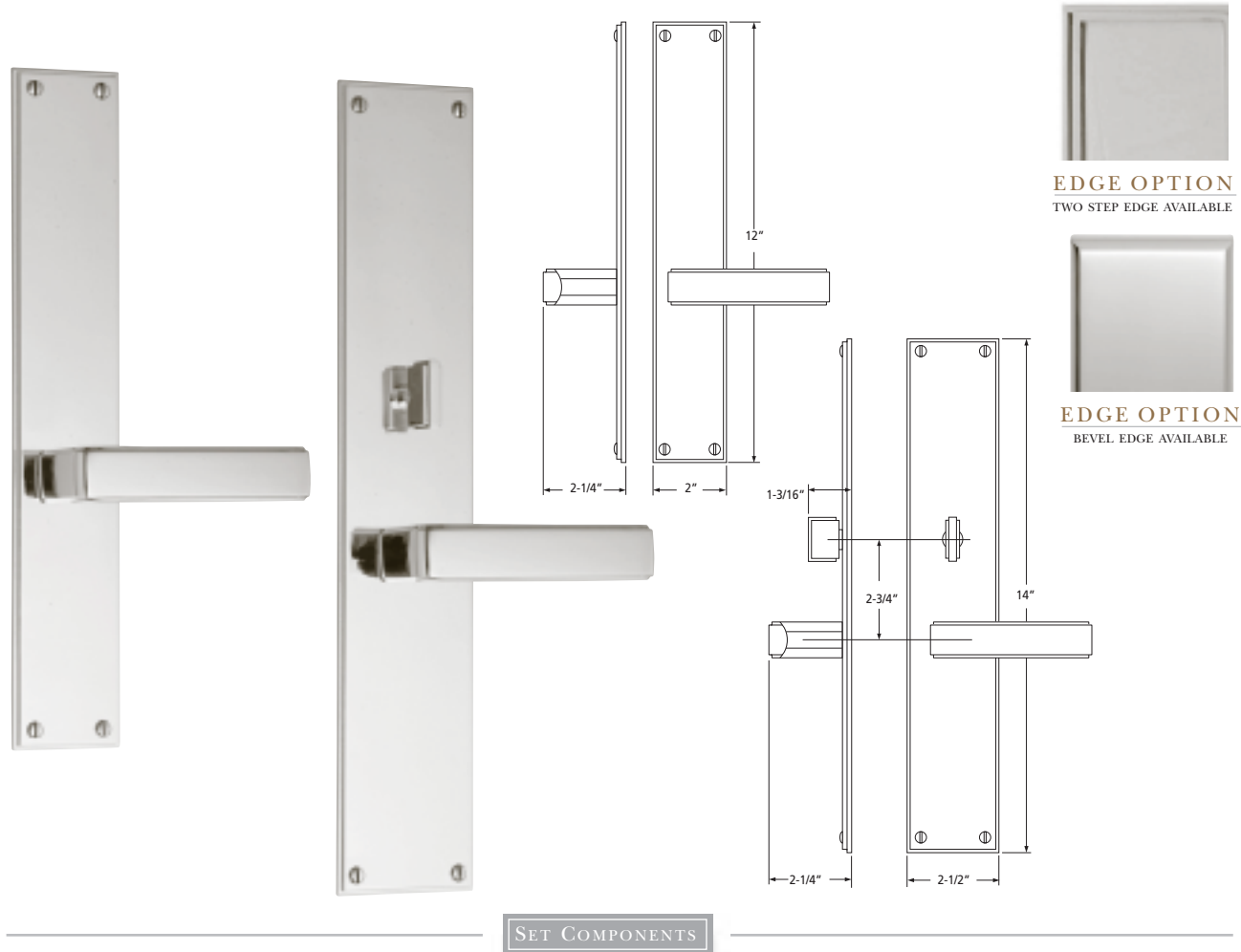
APS | APN | PB-PVD | PS | SS | SCR | PCR | SC
 gold plating available upon request

price list

page 2

material

solid brass



SET COMPONENTS

Interior Escutcheon Knob (Lever) Set – Passage includes two escutcheons, two knobs (levers), 4" straight spindle (8mm), passage latch (2-3/8" backset), faceplate, full lip strike, dust box and mounting hardware.

Interior Escutcheon Knob (Lever) Set – Privacy includes two escutcheons with privacy pin hole, two knobs (levers), one 4" swivel spindle (8mm), privacy latch (2-3/8" backset), privacy pin, faceplate, full lip strike, dust box and mounting hardware.

Interior Escutcheon Knob (Lever) Set – Passage Latch x Mortise Bolt includes an exterior escutcheon with emergency egress hole, an interior escutcheon with turnpiece attached, two knobs (levers), 4" straight spindle (8mm), passage latch (2-3/8" backset), latch faceplate, full lip strike, mortise bolt (2-3/8" backset), mortise bolt faceplate, mortise bolt strike, dust box and mounting hardware. NOTE: standard spacing between knob (lever) hub and mortise bolt hub is 2-3/4" c-c.

Interior Escutcheon Knob (Lever) Set – Full Dummy includes two escutcheons, two knobs (levers), 4" straight spindle (8mm), two dummy mounting plates and mounting hardware.

Interior Escutcheon Knob (Lever) Set – Half Dummy includes an escutcheon, knob (lever), dummy mount spindle and mounting hardware.

Interior Knob Sets

standard finishes

AB | ABB | BB | BZ | KN | PA | PB | PBNL | TN | WB | WZ |
 ABN | AN | AP | BN | MB | NC | PC | PN | SN | WA | WC | WN | WP

premium finishes

APS | APN | PB-PVD | PS | SS | SCR | PCR | SC
 gold plating available upon request

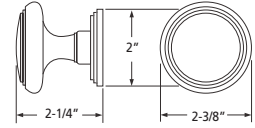
price list

page 3

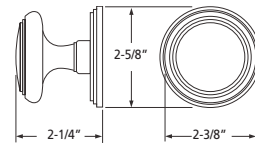
material

solid brass

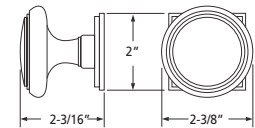
- 7700** Knob and Rosette (2" dia.) - Passage Set
7708 Knob and Rosette (2" dia.) - Privacy Set
7716 Knob and Rosette (2" dia.) - Full Dummy
7724 Knob and Rosette (2" dia.) - Half Dummy
Above sets include 7765 Knob



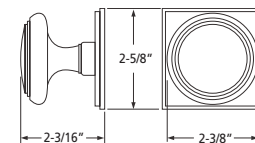
- 7701** Knob and Rosette (2-5/8" dia.) - Passage Set
7709 Knob and Rosette (2-5/8" dia.) - Privacy Set
7717 Knob and Rosette (2-5/8" dia.) - Full Dummy
7725 Knob and Rosette (2-5/8" dia.) - Half Dummy
Above sets include 7765 Knob



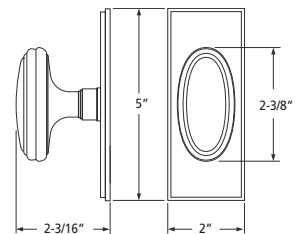
- 7702** Knob and Rosette (2" square) - Passage Set
7710 Knob and Rosette (2" square) - Privacy Set
7718 Knob and Rosette (2" square) - Full Dummy
7726 Knob and Rosette (2" square) - Half Dummy
Above sets include 7765 Knob



- 7703** Knob and Rosette (2-5/8" square) - Passage Set
7711 Knob and Rosette (2-5/8" square) - Privacy Set
7719 Knob and Rosette (2-5/8" square) - Full Dummy
7727 Knob and Rosette (2-5/8" square) - Half Dummy
Above sets include 7765 Knob



- 7705** Knob and Rosette (2" x 5") - Passage Set
7713 Knob and Rosette (2" x 5") - Privacy Set
7721 Knob and Rosette (2" x 5") - Full Dummy
7729 Knob and Rosette (2" x 5") - Half Dummy
Above sets include 7765 Knob



- 7707** Knob and Rosette (2" x 5") - Passage Set
7715 Knob and Rosette (2" x 5") - Privacy Set
7723 Knob and Rosette (2" x 5") - Full Dummy
7731 Knob and Rosette (2" x 5") - Half Dummy
Above sets include 7766 Oval Knob

- 7765** Knob Only
7766 Oval Knob Only

HOW TO ORDER

- 1 Specify application.
- 2 Specify finish. If split finish required, please indicate exterior/interior.
- 3 Specify door thickness. Standard thickness is 1-3/8".
- 4 Specify backset. Standard backset is 2-3/8".
- 5 Specify hand of door - RH/LH - if split finish required.
- 6 Specify if pre-drilled adapters are required. (part #9749)

REMEMBER...

- 1 FULL LIP strikes are standard. Specify SUB 'T' strike, if required.
- 2 Consider utilizing an interior mortise lock for quality installations.
- 3 All knobs, levers and roses are interchangeable.
- 4 Standard backset 2-3/8". If required specify 2-3/4" backset.
- 5 Custom sizes and two step or bevel options available.

Interior Knob Sets

standard finishes

AB | ABB | BB | BZ | KN | PA | PB | PBNL | TN | WB | WZ |
 ABN | AN | AP | BN | MB | NC | PC | PN | SN | WA | WC | WN | WP

premium finishes

APS | APN | PB-PVD | PS | SS | SCR | PCR | SC
 gold plating available upon request

price list

page 3

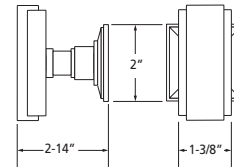
material

solid brass

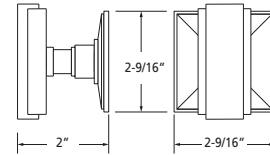
NEW ITEMS

13

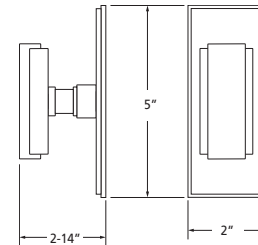
- 7500 Knob and Rosette – Passage Set
 - 7508 Knob and Rosette – Privacy Set
 - 7516 Knob and Rosette – Full Dummy
 - 7524 Knob and Rosette – Half Dummy
- Above Sets include the 7565 Knob



- 7501 Knob and Rosette – Passage Set
 - 7509 Knob and Rosette – Privacy Set
 - 7517 Knob and Rosette – Full Dummy
 - 7525 Knob and Rosette – Half Dummy
- Above Sets include the 7565 Knob



- 7502 Knob and Rosette (2" x 5") – Passage Set
 - 7510 Knob and Rosette (2" x 5") – Privacy Set
 - 7518 Knob and Rosette (2" x 5") – Full Dummy
 - 7526 Knob and Rosette (2" x 5") – Half Dummy
- Above Sets include the 7565 Knob



INTERIOR

KNOB SETS

SET COMPONENTS

Interior Escutcheon Knob (Lever) Set – Passage includes two escutcheons, two knobs (levers), 4" straight spindle (8mm), passage latch (2-3/8" backset), faceplate, full lip strike, dust box and mounting hardware.

Interior Escutcheon Knob (Lever) Set – Privacy includes two escutcheons with privacy pin hole, two knobs (levers), one 4" swivel spindle (8mm), privacy latch (2-3/8" backset), privacy pin, faceplate, full lip strike, dust box and mounting hardware.

Interior Escutcheon Knob (Lever) Set – Passage Latch x Mortise Bolt includes an exterior escutcheon with emergency egress hole, an interior escutcheon with turnpiece attached, two knobs (levers), 4" straight spindle (8mm), passage latch (2-3/8" backset), latch faceplate, full lip strike, mortise bolt (2-3/8" backset), mortise bolt faceplate, mortise bolt strike, dust box and mounting hardware. NOTE: standard spacing between knob (lever) hub and mortise bolt hub is 2-3/4" c-c.

Interior Escutcheon Knob (Lever) Set – Full Dummy includes two escutcheons, two knobs (levers), 4" straight spindle (8mm), two dummy mounting plates and mounting hardware.

Interior Escutcheon Knob (Lever) Set – Half Dummy includes an escutcheon, knob (lever), dummy mount spindle and mounting hardware.

Interior Lever Sets

standard finishes

AB | ABB | BB | BZ | KN | PA | PB | PBNL | TN | WB | WZ |
 ABN | AN | AP | BN | MB | NC | PC | PN | SN | WA | WC | WN | WP

premium finishes

APS | APN | PB-PVD | PS | SS | SCR | PCR | SC
 gold plating available upon request

price list

page 4

material

solid brass

- 7732** Lever and Rosette (2" dia.) - Passage Set
- 7740** Lever and Rosette (2" dia.) - Privacy Set
- 7748** Lever and Rosette (2" dia.) - Full Dummy
- 7756** Lever and Rosette (2" dia.) - Half Dummy

Above sets include 7773 Lever

- 7733** Lever and Rosette (2-5/8" dia.) - Passage Set
- 7741** Lever and Rosette (2-5/8" dia.) - Privacy Set
- 7749** Lever and Rosette (2-5/8" dia.) - Full Dummy
- 7757** Lever and Rosette (2-5/8" dia.) - Half Dummy

Above sets include 7773 Lever

- 7734** Lever and Rosette (2" square) - Passage Set
- 7742** Lever and Rosette (2" square) - Privacy Set
- 7750** Lever and Rosette (2" square) - Full Dummy
- 7758** Lever and Rosette (2" square) - Half Dummy

Above sets include 7773 Lever

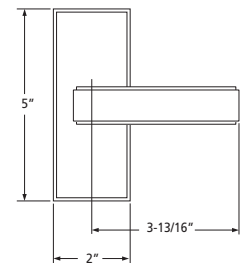
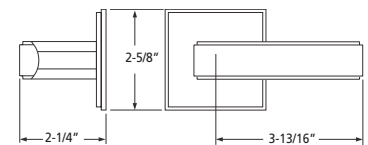
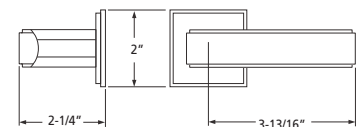
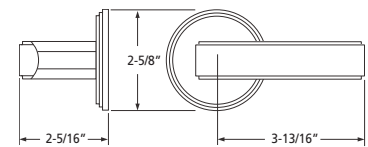
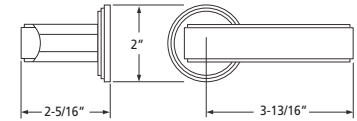
- 7735** Lever and Rosette (2-5/8" square) - Passage Set
- 7743** Lever and Rosette (2-5/8" square) - Privacy Set
- 7751** Lever and Rosette (2-5/8" square) - Full Dummy
- 7759** Lever and Rosette (2-5/8" square) - Half Dummy

Above sets include 7773 Lever

- 7737** Lever and Rosette (2" x 5") - Passage Set
- 7745** Lever and Rosette (2" x 5") - Privacy Set
- 7753** Lever and Rosette (2" x 5") - Full Dummy
- 7761** Lever and Rosette (2" x 5") - Half Dummy

Above sets include 7773 Lever

- 7773** Lever Only
- 7776** Rosette Only - Passage (2" dia.)
- 7777** Rosette Only - Passage (2-5/8" dia.)
- 7778** Rosette Only - Passage (2" square)
- 7779** Rosette Only - Passage (2-5/8" square)
- 7782** Rosette Only - Passage (2" x 5")



LEVER SETS

INTERIOR

HOW TO ORDER

- 1 Specify application.
- 2 Specify finish. If split finish required, please indicate exterior/interior.
- 3 Specify door thickness. Standard thickness is 1-3/8".
- 4 Specify backset. Standard backset is 2-3/8".
- 5 Specify hand of door - RH/LH - if split finish required.
- 6 Specify if pre-drilled adapters are required. (part #9749)

REMEMBER...

- 1 FULL LIP strikes are standard. Specify SUB 'T' strike, if required.
- 2 Consider utilizing an interior mortise lock for quality installations.
- 3 All knobs, levers and roses are interchangeable.
- 4 Standard backset 2-3/8". If required specify 2-3/4" backset.
- 5 Custom sizes and two step or bevel options available.

Interior Lever Sets

standard finishes

AB | ABB | BB | BZ | KN | PA | PB | PBNL | TN | WB | WZ |
 ABN | AN | AP | BN | MB | NC | PC | PN | SN | WA | WC | WN | WP

premium finishes

APS | APN | PB-PVD | PS | SS | SCR | PCR | SC
 gold plating available upon request

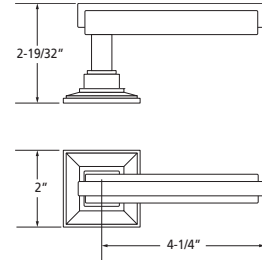
price list

page 4

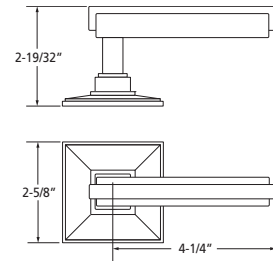
material

solid brass

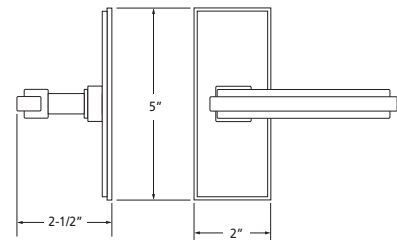
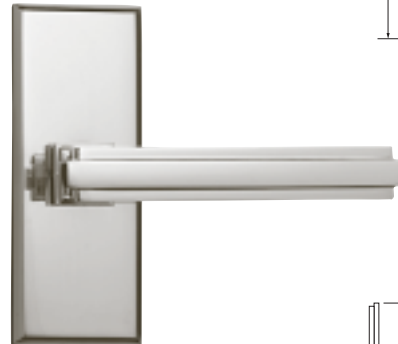
- 7533 Lever and Rosette – Passage Set
 - 7541 Lever and Rosette – Privacy Set
 - 7549 Lever and Rosette – Full Dummy
 - 7557 Lever and Rosette – Half Dummy
- Above Sets include the 7573 Lever



- 7534 Lever and Rosette – Passage Set
 - 7542 Lever and Rosette – Privacy Set
 - 7550 Lever and Rosette – Full Dummy
 - 7558 Lever and Rosette – Half Dummy
- Above Sets include the 7573 Lever



- 7535 Lever and Rosette (2" x 5") – Passage Set
 - 7543 Lever and Rosette (2" x 5") – Privacy Set
 - 7551 Lever and Rosette (2" x 5") – Full Dummy
 - 7559 Lever and Rosette (2" x 5") – Half Dummy
- Above Sets include the 7573 Lever



INTERIOR LEVER SETS

SET COMPONENTS

Knob (Lever) and Rosette – Passage Set includes two rosettes (passage), two knobs (levers), passage latch (2-3/8" backset), full lip strike, latch faceplate, 4" straight spindle (8mm), two rosette mount plates, two rosette mount plate hubs, dust box and mounting hardware.

NOTE: if required, order pre-drilled adapter (part # 9749) separately.

Knob (Lever) and Rosette – Privacy Set includes two rosettes (privacy), two knobs (levers), privacy latch (2-3/8" backset), full lip strike, latch faceplate, 4" swivel spindle (8mm), two rosette mount plates, two rosette mount plate hubs, privacy pin, dust box and mounting hardware.

NOTE: if required, order pre-drilled adapter (part # 9749) separately.

Knob (Lever) and Rosette – Full Dummy includes two rosettes, two knobs (levers), 4" straight spindle (8mm), two dummy rosette mount plates, two rosette mount plate hubs, and mounting hardware.

Knob (Lever) and Rosette – Half Dummy includes rosette, knob (lever), dummy mount spindle, rosette mount plate hub and mounting hardware.

Pulls, Push Plates & Pull Plates

7689 Pull (8" c-c)

7690 Pull (14" c-c)

7681 Push Plate (2" x 12")

7682 Push Plate (2-1/2" x 14")

7683 Push Plate (3" x 21")

7684 Pull w/Rose (8" c-c) *(includes 7778 Rose)*

7685 Pull Plate (2-1/2" x 14") *(includes 7689 Pull 8" c-c)*

7686 Pull Plate (3" x 21") *(includes 7689 Pull 8" c-c)*

7687 Pull Plate (3" x 21") *(includes 7690 Pull 14" c-c)*

standard finishes

AB | ABB | BB | BZ | KN | PA | PB | PBNL | TN | WB | WZ |
 ABN | AN | AP | BN | MB | NC | PC | PN | SN | WA | WC | WN | WP

premium finishes

APS | APN | PB-PVD | PS | SS | SCR | PCR | SC
 gold plating available upon request

price list

page 5

material

solid brass

PULL PLATES

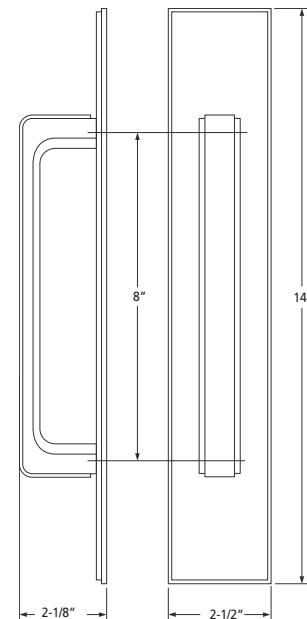
PULLS, PUSH PLATES



EDGE OPTION
TWO STEP EDGE AVAILABLE



EDGE OPTION
BEVEL EDGE AVAILABLE



HOW TO ORDER

- 1 Specify application.
- 2 Specify finish.
- 3 Specify door thickness. Standard thickness is 1-3/4".

REMEMBER...

- 1 Back-to-back applications available for pulls and pull plates. Specify part # 9958 for upcharge.
- 2 Custom drilling available.
- 3 Custom sizes and two step or bevel options available.

Flush Pulls

- 7692 Flush Pull Only (2-1/2" x 14")
- 7693 Flush Pull w/turnpiece (2-1/2" x 14")
- 7694 Flush Pull w/cylinder hole (2-1/2" x 14")

- 7591 Complete Flush Pull Set – Passage w/9730
- 7592 Complete Flush Pull Set – Passage w/Accurate 2000
- 7593 Complete Flush Pull Set – Privacy w/Accurate 2002

standard finishes

AB | ABB | BB | BZ | KN | PA | PB | PBNL | TN | WB | WZ |
 ABN | AN | AP | BN | MB | NC | PC | PN | SN | WA | WC | WN | WP

premium finishes

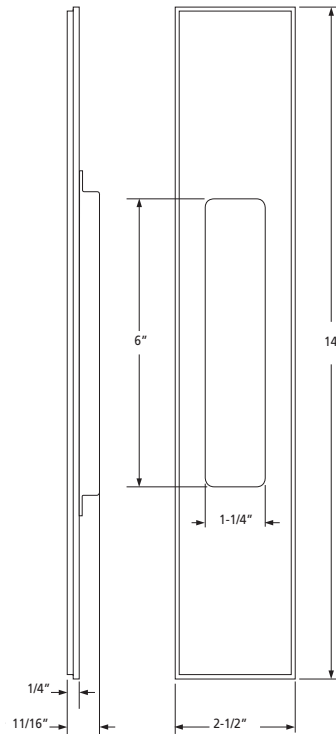
APS | APN | PB-PVD | PS | SS | SCR | PCR | SC
 gold plating available upon request

price list

page 5

material

solid brass



EDGE OPTION
TWO STEP EDGE AVAILABLE



EDGE OPTION
BEVEL EDGE AVAILABLE

F L U S H

P U L L S



HOW TO ORDER

- 1 Specify application.
- 2 Specify finish.
- 3 Specify door thickness. Standard thickness is 1-3/4".

REMEMBER...

1. Verify jamb clearance for escutcheon projection
2. Edge Pulls available – Standard or Mortise.
3. Flush Pull locks, Edge Pulls and Cylinders must be ordered separately
4. Custom sizes and two step or bevel edge options available.

Auxiliary Deadbolts

- 7783** Complete Auxiliary Deadbolt Set – square
(Key x Turnpiece 1-5/8")
- 7784** Complete Auxiliary Deadbolt Set – square
(Key x Turnpiece 1-5/8")
- 7786** Complete Auxiliary Deadbolt Set – square
(Key x Turnpiece 2-1/8")
- 7787** Complete Auxiliary Deadbolt Set – square
(Key x Turnpiece 2-1/8")

- 7788** Complete Auxiliary Deadbolt Set – round
(Key x Turnpiece 1-5/8")
- 7789** Complete Auxiliary Deadbolt Set – round
(Key x Turnpiece 1-5/8")
- 7791** Complete Auxiliary Deadbolt Set – round
(Key x Turnpiece 2-1/8")
- 7792** Complete Auxiliary Deadbolt Set – round
(Key x Turnpiece 2-1/8")

standard finishes

AB	ABB	BB	BZ	KN	PA	PB	PBNL	TN	WB	WZ		
ABN	AN	AP	BN	MB	NC	PC	PN	SN	WA	WC	WN	WP

premium finishes

APS	APN	PB-PVD	PS	SS	SCR	PCR	SC
-----	-----	--------	----	----	-----	-----	----

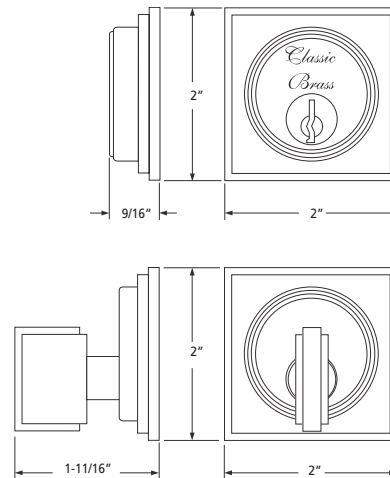
price list

page 6

material

solid brass

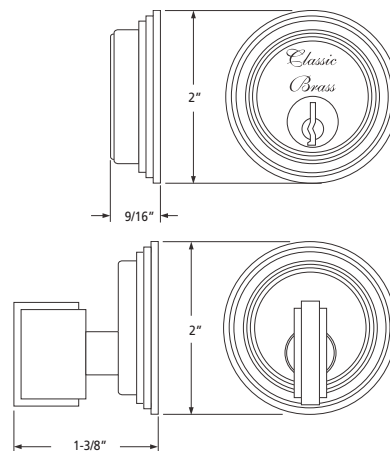
gold plating available upon request



EDGE OPTION
TWO STEP EDGE AVAILABLE



EDGE OPTION
BEVEL EDGE AVAILABLE



HOW TO ORDER

- 1 Specify application and collar size.
- 2 Specify finish. If split finish required, specify exterior/interior.
- 3 Specify door thickness. Standard thickness is 1-3/4".
- 4 Specify backset required. Standard is 2-3/8" (adjustable to 2-3/4")

REMEMBER...

- 1 Available for thick doors.
- 2 Should you require key alike, please specify.

DEADBOLTS

AUXILIARY

Auxiliary Deadbolts - Square

7583 Complete Auxiliary Deadbolt Set
(Key x Turnpiece 1-5/8")

7584 Complete Auxiliary Deadbolt Set
(Key x Turnpiece 1-5/8")

7586 Complete Auxiliary Deadbolt Set
(Key x Turnpiece 2-1/8")

7587 Complete Auxiliary Deadbolt Set
(Key x Turnpiece 2-1/8")

NEW ITEMS

13

standard finishes

AB | ABB | BB | BZ | KN | PA | PB | PBNL | TN | WB | WZ |
ABN | AN | AP | BN | MB | NC | PC | PN | SN | WA | WC | WN | WP

premium finishes

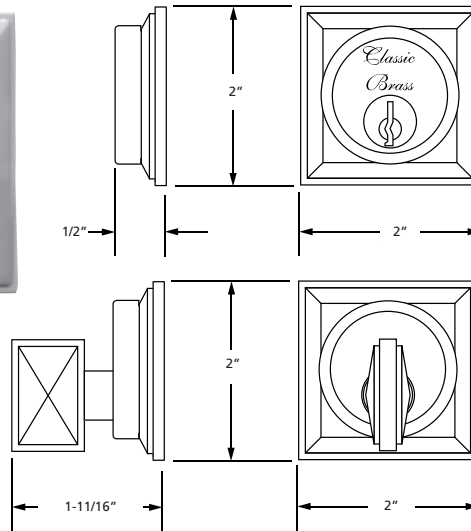
APS | APN | PB-PVD | PS | SS | SCR | PCR | SC
gold plating available upon request

price list

page 6

material

solid brass



EDGE OPTION
TWO STEP EDGE AVAILABLE

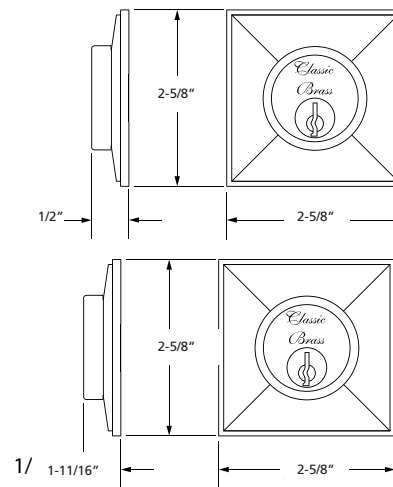


EDGE OPTION
BEVEL EDGE AVAILABLE

AUXILIARY



DEADBOLTS



HOW TO ORDER

- 1 Specify application.
- 2 Specify finish. If split finish required, specify exterior/interior.
- 3 Specify door thickness. Standard thickness is 1-3/4".
- 4 Specify backset required. Standard is 2-3/8".

REMEMBER...

- 1 Standard backset is 2-3/8". If required specify 2-3/4".
- 2 Available for thick doors.

Cylinder Collars

- 9932 Pyramid 2"
- 9933 Round 2"
- 9934 Square 2"

NEW ITEMS



standard finishes

AB | ABB | BB | BZ | KN | PA | PB | PBNL | TN | WB | WZ |
 ABN | AN | AP | BN | MB | NC | PC | PN | SN | WA | WC | WN | WP

premium finishes

APS | APN | PB-PVD | PS | SS | SCR | PCR | SC
 gold plating available upon request

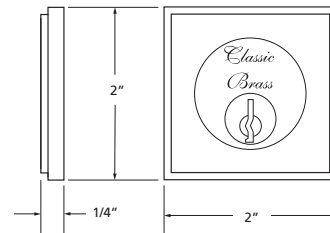
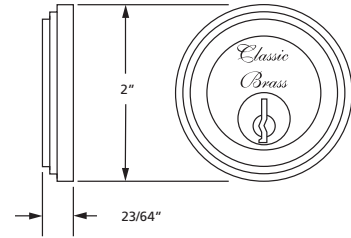
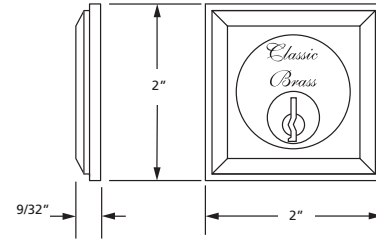
price list

material

solid brass

COLLARS

CYLINDER



HOW TO ORDER

- 1 Specify application and collar size.
- 2 Specify finish. If split finish required, specify exterior/interior.
- 3 Specify door thickness. Standard thickness is 1-3/4".
- 4 Specify backset required. Standard is 2-3/8" (adjustable to 2-3/4")

REMEMBER...

- 1 Available for thick doors.
- 2 Should you require key alike, please specify.

Mortise Bolts

- 7794 Complete Mortise Bolt Set (1-3/4" sq.)
- 7795 Mortise Bolt and Turnpiece w/ Plate (1-3/4" sq.)
- 7796 Turnpiece and Plate (1-3/4" sq.)

- 7597 Complete Mortise Bolt Set (1-5/8" dia.)
- 7598 Mortise Bolt and Turnpiece w/Plate (1-5/8" dia.)
- 7599 Turnpiece and Plate (1-5/8" dia.)

- 7594 Complete Mortise Bolt Set (1-5/8" sq.)
- 7595 Mortise Bolt and Turnpiece w/Plate (1-5/8" sq.)
- 7596 Turnpiece and Plate (1-5/8" sq.)

NEW ITEMS

13

standard finishes

AB | ABB | BB | BZ | KN | PA | PB | PBNL | TN | WB | WZ |
 ABN | AN | AP | BN | MB | NC | PC | PN | SN | WA | WC | WN | WP

premium finishes

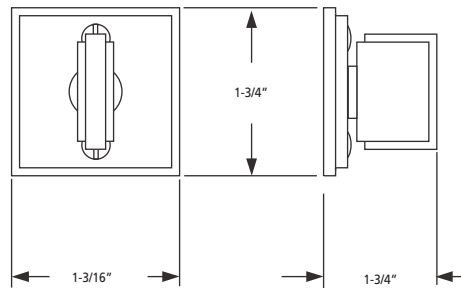
APS | APN | PB-PVD | PS | SS | SCR | PCR | SC
 gold plating available upon request

price list

page 6

material

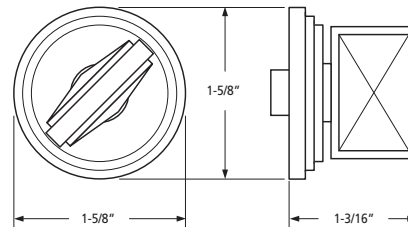
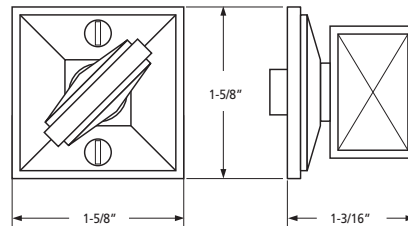
solid brass



EDGE OPTION
TWO STEP EDGE AVAILABLE



EDGE OPTION
BEVEL EDGE AVAILABLE



MORTISE

BOLTS

HOW TO ORDER

- 1 Specify application.
- 2 Specify finish.
- 3 Specify door thickness. Standard thickness is 1-3/4".
- 4 Specify backset required. Standard is 2-3/8".

REMEMBER...

- 1 Standard backset is 2-3/8". If required specify 2-3/4".
- 2 Available for thick doors.

Door Stop

9743 Door Stop

NEW ITEMS



standard finishes

AB | ABB | BB | BZ | KN | PA | PB | PBNL | TN | WB | WZ |
 ABN | AN | AP | BN | MB | NC | PC | PN | SN | WA | WC | WN | WP

premium finishes

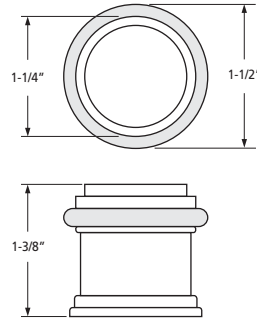
APS | APN | PB-PVD | PS | SS | SCR | PCR | SC
 gold plating available upon request

price list

page 36

material

solid brass



DOOR BELL

Door Bell

7799 Door Bell Escutcheon

standard finishes

AB | ABB | BB | BZ | KN | PA | PB | PBNL | TN | WB | WZ |
 ABN | AN | AP | BN | MB | NC | PC | PN | SN | WA | WC | WN | WP

premium finishes

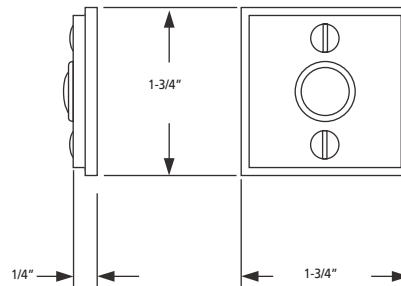
APS | APN | PB-PVD | PS | SS | SCR | PCR | SC
 gold plating available upon request

price list

page 6

material

solid brass



EDGE OPTION
TWO STEP EDGE AVAILABLE



EDGE OPTION
BEVEL EDGE AVAILABLE

DOOR STOP

HOW TO ORDER

- 1 Specify application.
- 2 Specify finish.

REMEMBER...

- 1 Available for thick doors.
- 2 Doorbell button NOT included.
- 3 Should you require a modified height on the door stop, contact us.

hutter

C O L L E C T I O N

Entrance Handle Setspage H-1
Entrance Knob Setspage H-2
Entrance Lever Setspage H-3
Multi Point Setspages H-4/6
Multi Point Windowpage H-7
Interior Escutcheon Setspages H-8/9
Knob Setspages H-10/13
Lever Setspages H-14/15
Push Plates/Pullspage H-16
Flush Pullspage H-17
Auxiliary Deadboltspage H-18
Screen Door Setspage H-19
Mortise Bolts/
Emergency Egresspages H-20/22
Cylinder Collar/Door Stoppage 23
Door Bell/Door Knockerpage 24



HUTTER COLLECTION

Classic Brass

HUTTER finishes



antique brass (AB)



antique burnished brass (ABB)



antique burnished nickel (ABN)



antique nickel (AN)



antique pewter (AP)



burnished brass (BB)



burnished nickel (BN)



oil rubbed bronze (BZ)



kensington (KN)



matte black (MB)



nickel copper (NC)



polished antique (PA)



polished brass (PB)



polished chrome (PC)



polished nickel (PN)



satin nickel (SN)



tarnished (TN)



weathered antq. nickel (WA)



weathered brass (WB)



weathered copper (WC)



weathered nickel (WN)



weathered pewter (WP)



weathered bronze (WZ)

PB-PVD and custom finishes available.

Entrance Handle Sets

- 7800** Complete Entrance Handle Set
- 7802** Complete Entrance Handle Set – Thumbpiece x Thumbpiece
- 7804** Complete Entrance Handle Set (less lock)
- 7806** Complete Entrance Handle Set – Full Dummy
- 7807** Complete Entrance Handle Set – Thumbpiece x Thumbpiece – Full Dummy

Above sets include 7973 Lever

standard finishes

AB	ABB	BB	BZ	KN	PA	PB	PBNL	TN	WB	WZ		
ABN	AN	AP	BN	MB	NC	PC	PN	SN	WA	WC	WN	WP

premium finishes

APS	APN	PB-PVD	PS	SS	SCR	PCR	SC
-----	-----	--------	----	----	-----	-----	----

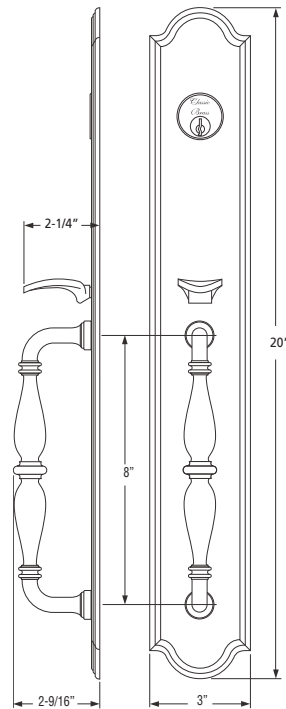
gold plating available upon request

price list

page 7

material

solid brass



PROFILE OPTION
SQUARE CORNER AVAILABLE



EDGE OPTION
HUTTER OFFSET ARCH

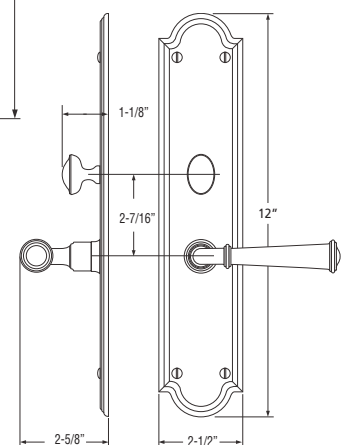


EDGE OPTION
HUTTER OFFSET SQUARE



ENTRANCE

HANDLE SETS



HOW TO ORDER

- 1 Specify application.
- 2 Specify finish. If split finish required, please indicate exterior/interior.
- 3 Specify door thickness. Standard thickness is 1-3/4".
- 4 Specify hand of door – RH/LH.
- 5 Specify backset required. Standard is 2-1/2"

REMEMBER...

- 1 Standard mortise lock is 2-1/2" EE. Specify 2-3/4" if required.
- 2 Levers are standard. If knobs are required, specify part number.
- 3 All knobs and levers are interchangeable.
- 4 A door thickness greater than 1-3/4" will require a thick door kit.
- 5 Entrance handlesets are mortise lock ONLY.
- 6 Custom drilling is available.
- 7 Custom sizes, square corner and offset edge options available.

Entrance Knob Sets

7810 Complete Knob Mortise Entrance Set

7811 Complete Knob Mortise Entrance Set - Full Dummy

7812 Complete Knob Latch x Auxiliary Deadbolt Set (5-1/2" c-c)

7813 Complete Knob Latch x Auxiliary Deadbolt Set - Full Dummy

Above sets include 7965 Knob

standard finishes

AB | ABB | BB | BZ | KN | PA | PB | PBNL | TN | WB | WZ |
 ABN | AN | AP | BN | MB | NC | PC | PN | SN | WA | WC | WN | WP

premium finishes

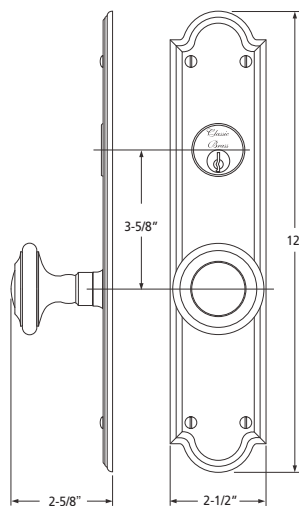
APS | APN | PB-PVD | PS | SS | SCR | PCR | SC
 gold plating available upon request

price list

page 7

material

solid brass



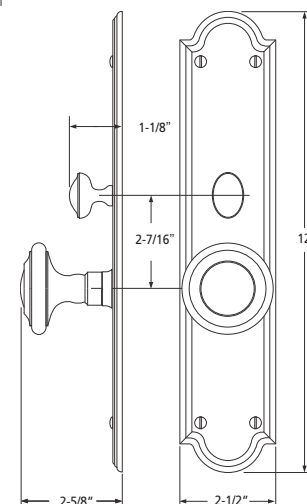
PROFILE OPTION
 SQUARE CORNER AVAILABLE



EDGE OPTION
 HUTTER OFFSET ARCH



EDGE OPTION
 HUTTER OFFSET SQUARE



KNOB SETS

ENTRANCE

HOW TO ORDER

- 1 Specify application – mortise, latch x auxiliary deadbolt or full dummy.
- 2 Specify finish. If split finish required, please indicate exterior/interior.
- 3 Specify door thickness. Standard thickness is 1-3/4".
- 4 Specify hand of door – RH/LH.
- 5 Specify backset – standard for mortise lock is 2-1/2" – standard for auxiliary deadbolt is 2-3/8"

REMEMBER...

- 1 Standard mortise lock is 2-1/2" EE. Specify 2-3/4" if required.
- 2 Standard latch x auxiliary deadbolt – 5-1/2" c-c spacing and 2-3/8" backset. If required, specify 2-3/4" backset.
- 3 All knobs and levers are interchangeable.
- 4 A door thickness greater than 1-3/4" will require a thick door kit.
- 5 Custom drilling available.
- 6 Custom sizes, square corner and offset edge option available.

Entrance Lever Sets

- 7816 Complete Lever Mortise Entrance Set
 - 7817 Complete Lever Mortise Entrance Set - Full Dummy
 - 7818 Complete Lever Latch x Auxiliary Deadbolt Set (5-1/2" c-c)
 - 7819 Complete Lever Latch x Auxiliary Deadbolt Set - Full Dummy
- Above sets include 7973 Lever

standard finishes

AB	ABB	BB	BZ	KN	PA	PB	PBNL	TN	WB	WZ		
ABN	AN	AP	BN	MB	NC	PC	PN	SN	WA	WC	WN	WP

premium finishes

APS	APN	PB-PVD	PS	SS	SCR	PCR	SC
-----	-----	--------	----	----	-----	-----	----

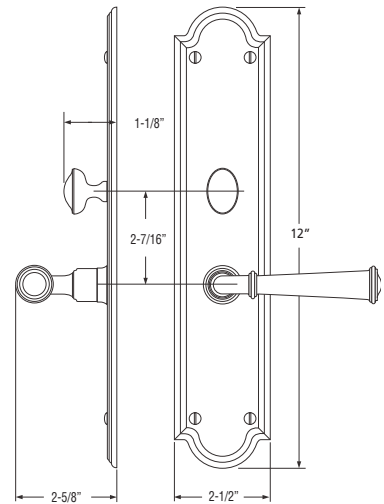
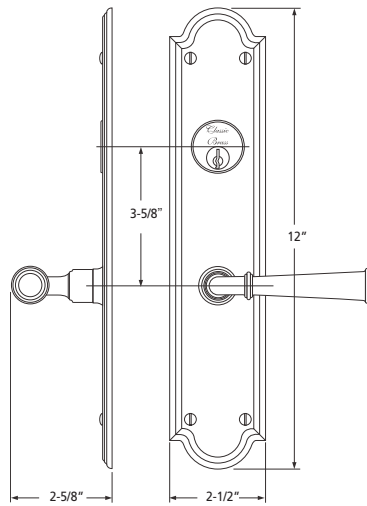
gold plating available upon request

price list

page 7

material

solid brass



PROFILE OPTION
SQUARE CORNER AVAILABLE



EDGE OPTION
HUTTER OFFSET ARCH



EDGE OPTION
HUTTER OFFSET SQUARE



ENTRANCE

LEVER SETS

SET COMPONENTS

Complete Entrance Knob (Lever) Set – Mortise Lock includes exterior plate, interior plate with turnpiece, two knobs (levers), 4" swivel spindle (8mm), single cylinder mortise lock (2-1/2" backset) w/EE function, faceplate, strike, dust box, mortise cylinder and mounting hardware.

Complete Entrance Knob (Lever) Set – Latch x Auxiliary Deadbolt includes exterior plate, interior plate, two knobs (levers), passage latch (2-3/8"), 4" straight spindle (8mm), auxiliary deadbolt (2-3/8"), rim cylinder, turnpiece, latch faceplate, deadbolt faceplate, full lip strike, deadbolt strike, dust boxes and mounting hardware. **NOTE:** our standard spacing between knob (lever) hub and auxiliary deadbolt is 5-1/2" c-c

Complete Entrance Knob (Lever) Set – Full Dummy includes exterior plate, interior plate, two knobs (levers), 4" straight spindle (8mm) and mounting hardware.

Multi Point Sets – American Profile

2" x 11" Multi Point Sets

- 7864** Multi Point Complete Set
- 7865** Multi Point Full Dummy Set
- 7866** Multi Point Active Dummy Set
- 7867** Multi Point Patio Set

Above sets include 7973 Lever

2-1/2" x 12" Multi Point Sets

- 7870** Multi Point Complete Set
- 7871** Multi Point Full Dummy Set
- 7872** Multi Point Active Dummy Set
- 7873** Multi Point Patio Set

Above sets include 7973 Lever

standard finishes

AB	ABB	BB	BZ	KN	PA	PB	PBNL	TN	WB	WZ										
ABN	AN	AP	BN	MB	NC	PC	PN	SN	WA	WC	WN	WP								

premium finishes

APS	APN	PB	PVD	PS	SS	SCR	PCR	SC												
-----	-----	----	-----	----	----	-----	-----	----	--	--	--	--	--	--	--	--	--	--	--	--

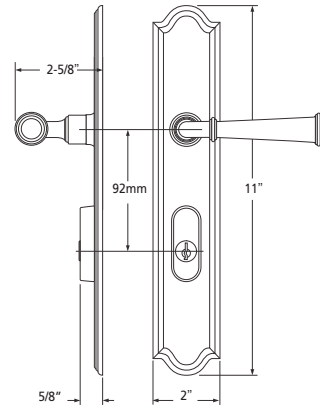
price list

page 7

material

solid brass

gold plating available upon request



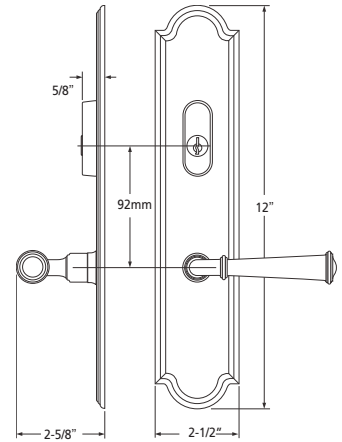
PROFILE OPTION
SQUARE CORNER AVAILABLE



EDGE OPTION
HUTTER OFFSET ARCH



EDGE OPTION
HUTTER OFFSET SQUARE



HOW TO ORDER

- 1 Specify application.
- 2 Specify finish. If split finish required, please indicate exterior/interior.
- 3 Specify door thickness. Standard thickness is 1-3/4".
- 4 Specify hand of door – RH/LH.
- 5 See Multipoint Check Sheet (form 500) for additional information.
- 6 Specify fixed or active exterior lever when ordering active dummy set.

REMEMBER...

- 1 Standard euro profile applications: lever high – 92mm spacing.
- 2 Standard american cylinder applications: lever high – 92mm spacing.
- 3 Specify lever low or custom c-c spacing required.
- 4 All levers are interchangeable.
- 5 Door thickness greater than 1-3/4" will require longer euro cylinders.
- 6 Cylinders INCLUDED w/all applications (collection turnpiece attached).
- 7 Strike not included.
- 8 Custom sizes, square corner and offset edge options available.
- 9 Euro offset cylinders available upon request - contact us.



AMERICAN

MULTIPOINT

Multi Point Sets – Euro Profile

2" x 11" Multi Point Sets

- 7850 Multi Point Complete Set
- 7851 Multi Point Full Dummy Set
- 7852 Multi Point Active Dummy Set
- 7853 Multi Point Patio Set

Above sets include 7973 Lever

2-1/2" x 12" Multi Point Sets

- 7856 Multi Point Complete Set
- 7857 Multi Point Full Dummy Set
- 7858 Multi Point Active Dummy Set
- 7859 Multi Point Patio Set

Above sets include 7973 Lever

standard finishes

AB	ABB	BB	BZ	KN	PA	PB	PBNL	TN	WB	WZ					
ABN	AN	AP	BN	MB	NC	PC	PN	SN	WA	WC	WN	WP			

premium finishes

APS	APN	PB-PVD	PS	SS	SCR	PCR	SC
-----	-----	--------	----	----	-----	-----	----

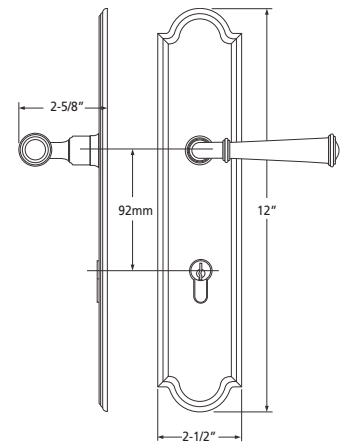
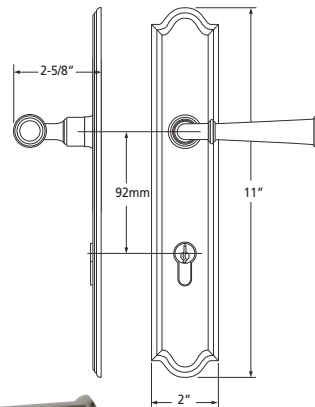
price list

page 8

material

solid brass

gold plating available upon request



PROFILE OPTION
SQUARE CORNER AVAILABLE



EDGE OPTION
HUTTER OFFSET ARCH



EDGE OPTION
HUTTER OFFSET SQUARE

MULTIPOINT



EUROPEAN

SET COMPONENTS

Multi Point Complete Set – Euro (American) Profile includes two escutcheons, one pair of levers, 4" straight spindle, europrofile cylinder - 62mm - kxtp (american profile cylinder) and mounting hardware. NOTE: standard spacing between lever hub and the profile cylinder is 92mm.

Multi Point Full Dummy Set – Euro (American) Profile includes two escutcheons, one pair of levers, 4" straight spindle (8mm), two dummy mount plates and mounting hardware.

Multi Point Active Dummy Set – Euro (American) Profile includes two escutcheons, one pair of levers, 4" straight spindle (8mm) and mounting hardware.

Multi Point Patio Set – Euro (American) Profile includes exterior escutcheon, interior escutcheon (for American profile application turnpiece with tailpiece attached to escutcheon), one pair of levers, 4" straight spindle (8mm), Europrofile half cylinder - 31mm and mounting hardware. NOTE: standard spacing between lever hub and the profile cylinder is 92 mm.

Multi Point Sets – Euro Sectional

Square	Eyebrow	Oval	
7230	7235	7240	Complete Euro M/P Sectional Set – Entrance
7231	7236	7241	Complete Euro M/P Sectional Set – Full Dummy
7232	7237	7242	Complete Euro M/P Sectional Set – Active Dummy
7233	7238	7243	Complete Euro M/P Sectional Set – Patio

Above sets include 7973 Lever

NEW ITEMS



standard finishes

premium finishes

price list

material

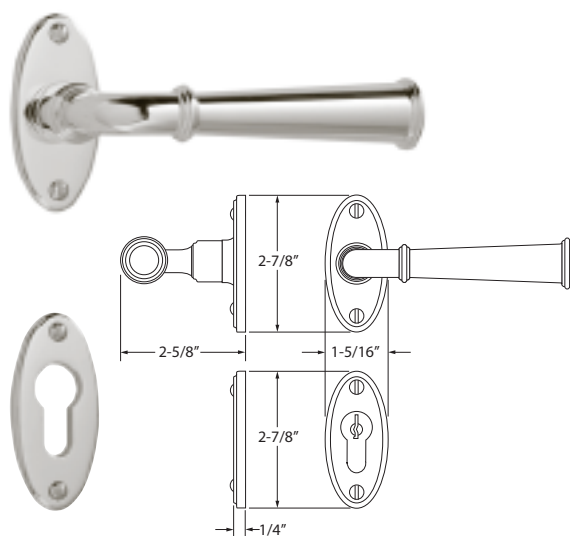
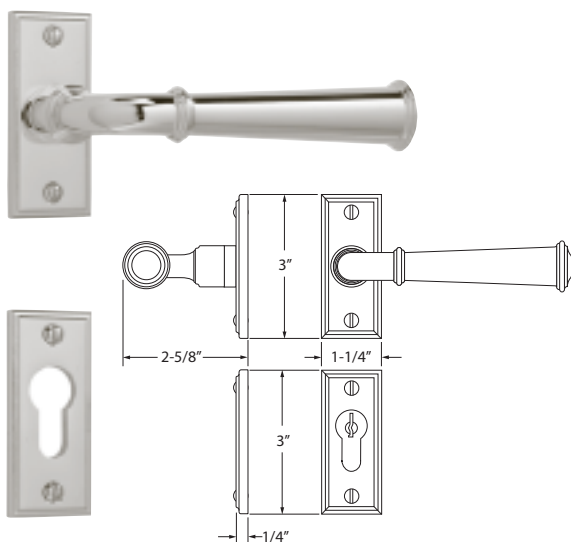
AB|ABB|BB|BZ|KN|PA|PB|PBNL|TN|WB|WZ|
ABN|AN|AP|BN|MB|NC|PC|PN|SN|WA|WC|WN|WP

APS|APN|PB-PVD|PS|SS|SCR|PCR|SC
gold plating available upon request

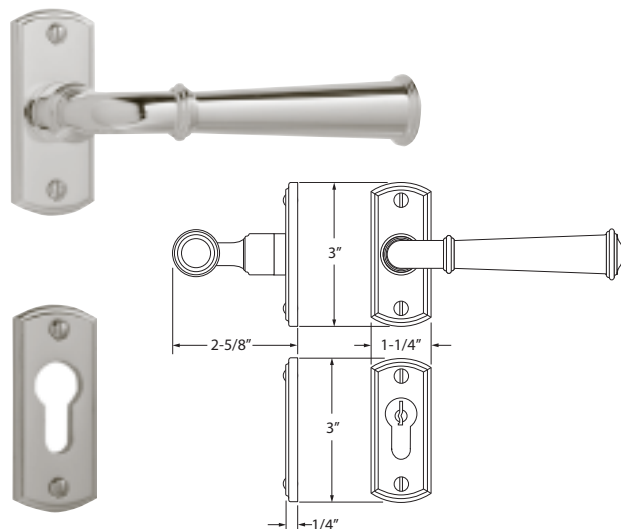
page 8

solid brass

EURO SECTIONAL



MULTIPOINT



HOW TO ORDER

- 1 Specify application.
- 2 Specify finish. If split finish required, please indicate exterior/interior.
- 3 Specify door thickness. Standard thickness is 1-3/4".
- 4 Specify hand of door – RH/LH.
- 5 See Multipoint Check Sheet (form 500) for additional information.
- 6 Specify fixed or active exterior lever when ordering active dummy set.

REMEMBER...

- 1 Standard euro profile applications: lever high – 92mm spacing.
- 2 All levers are interchangeable.
- 3 Door thickness greater than 1-3/4" will require longer euro cylinders.
- 4 Cylinders INCLUDED w/all applications (collection turnpiece attached).
- 5 Strike not included.
- 6 Euro offset cylinders available upon request - contact us.

Multi Point Window Operator

7255 Multi Point Window Trim

Above sets include 4386 Lever

NEW ITEMS

13

standard finishes

AB | ABB | BB | BZ | KN | PA | PB | PBNL | TN | WB | WZ |
 ABN | AN | AP | BN | MB | NC | PC | PN | SN | WA | WC | WN | WP

premium finishes

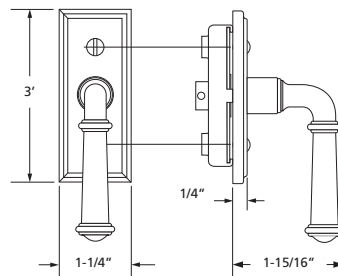
APS | APN | PB-PVD | PS | SS | SCR | PCR | SC
 gold plating available upon request

price list

page 8

material

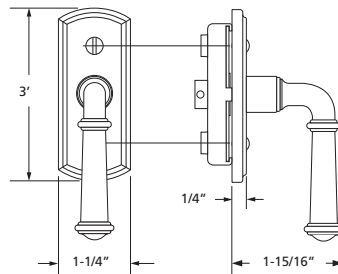
solid brass



PROFILE OPTION
 SQUARE CORNER AVAILABLE



EDGE OPTION
 HUTTER OFFSET ARCH



MULTIPOINT

WINDOW OPERATOR

HOW TO ORDER

- 1 Specify finish.
- 2 Specify length of 7mm spindle from edge of sash.

REMEMBER...

- 1 7mm square spindle is standard.
- 2 43mm screw center to center – M5 oval slot head screws are standard.
- 3 Escutcheon width is a critical dimension, please verify.
- 4 Includes detent mechanism.

Interior Escutcheon Sets – Knob

2" x 11" Escutcheon Sets

- 7820** Interior Knob Set – Passage
 - 7822** Interior Knob Set – Latch x Mortise Bolt
 - 7823** Interior Knob Set – Full Dummy
 - 7824** Interior Knob Set – Half Dummy
- Above sets include 7969 Oval Knob

2-1/2" x 12" Escutcheon Sets

- 7834** Interior Knob Set – Passage
 - 7835** Interior Knob Set – Privacy
 - 7836** Interior Knob Set – Latch x Mortise Bolt
 - 7837** Interior Knob Set – Full Dummy
 - 7838** Interior Knob Set – Half Dummy
- Above sets include 7969 Oval Knob

standard finishes

AB	ABB	BB	BZ	KN	PA	PB	PBNL	TN	WB	WZ										
ABN	AN	AP	BN	MB	NC	PC	PN	SN	WA	WC	WN	WP								

premium finishes

APS	APN	PB	PVD	PS	SS	SCR	PCR	SC												
-----	-----	----	-----	----	----	-----	-----	----	--	--	--	--	--	--	--	--	--	--	--	--

price list

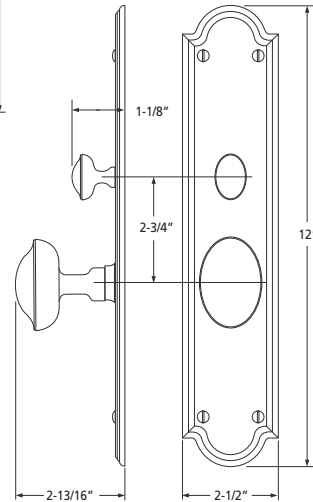
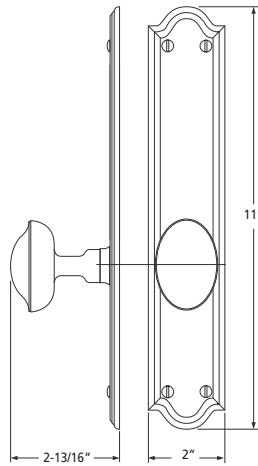
page 8

material

solid brass

gold plating available upon request

ESCUTCHEONS



PROFILE OPTION
SQUARE CORNER AVAILABLE



EDGE OPTION
HUTTER OFFSET ARCH



EDGE OPTION
HUTTER OFFSET SQUARE

HOW TO ORDER

- 1 Specify application.
- 2 Specify finish. If split finish required, please indicate exterior/interior.
- 3 Specify door thickness. Standard thickness is 1-3/4".
- 4 Specify hand of door – RH/LH.
- 5 Specify backset required. Standard is 2-3/8".

REMEMBER...

- 1 Consider utilizing an interior mortise lock for quality installations.
- 2 All knobs & levers are interchangeable.
- 4 FULL LIP strikes are standard. Specify SUB "T" strike, if required.
- 4 Standard backset is 2-3/8". If required specify 2-3/4".
- 5 Custom drilling available.
- 6 Combination strike and faceplate available for latch x mortise bolt function.
- 7 Custom sizes, square corner and offset edge options available.

Interior Escutcheon Sets – Lever

2" x 11" Escutcheon Sets

- 7827 Interior Lever Set – Passage
- 7829 Interior Lever Set – Latch x Mortise Bolt
- 7830 Interior Lever Set – Full Dummy
- 7831 Interior Lever Set – Half Dummy

Above sets include 7972 Lever

2-1/2" x 12" Escutcheon Sets

- 7842 Interior Lever Set – Passage
- 7843 Interior Lever Set – Privacy
- 7844 Interior Lever Set – Latch x Mortise Bolt
- 7845 Interior Lever Set – Full Dummy
- 7846 Interior Lever Set – Half Dummy

Above sets include 7973 Lever

standard finishes

AB | ABB | BB | BZ | KN | PA | PB | PBNL | TN | WB | WZ |
 ABN | AN | AP | BN | MB | NC | PC | PN | SN | WA | WC | WN | WP

premium finishes

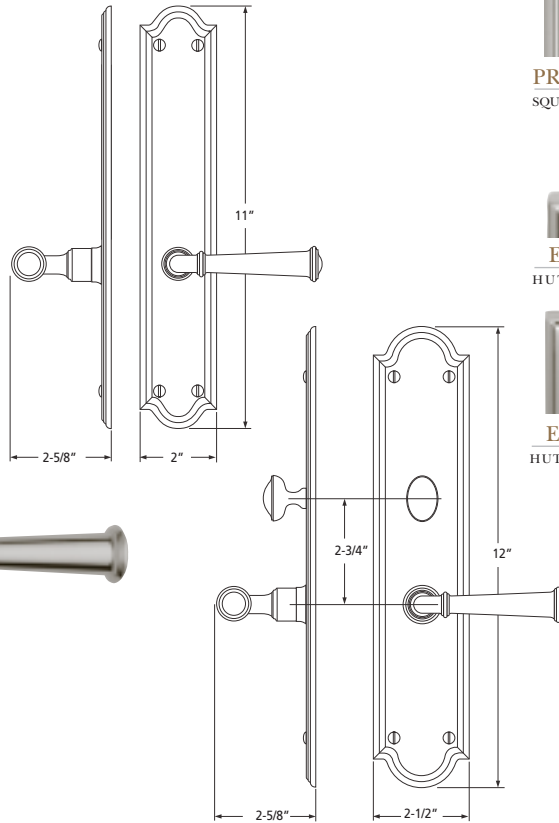
APS | APN | PB-PVD | PS | SS | SCR | PCR | SC
 gold plating available upon request

price list

page 8

material

solid brass



PROFILE OPTION
 SQUARE CORNER AVAILABLE



EDGE OPTION
 HUTTER OFFSET ARCH



EDGE OPTION
 HUTTER OFFSET SQUARE

INTERIOR ESCUTCHEONS



SET COMPONENTS

Interior Escutcheon Knob (Lever) Set – Passage includes two escutcheons, two knobs (levers), 4" straight spindle (8mm), passage latch (2-3/8" backset), faceplate, full lip strike, dust box and mounting hardware.

Interior Escutcheon Knob (Lever) Set – Privacy includes two escutcheons with privacy pin hole, two knobs (levers), one 4" swivel spindle (8mm), privacy latch (2-3/8" backset), privacy pin, faceplate, full lip strike, dust box and mounting hardware.

Interior Escutcheon Knob (Lever) Set – Passage Latch x Mortise Bolt includes an exterior escutcheon with emergency egress hole, an interior escutcheon with turnpiece attached, two knobs (levers), 4" straight spindle (8mm), passage latch (2-3/8" backset), latch faceplate, full lip strike, mortise bolt (2-3/8" backset), mortise bolt faceplate, mortise bolt strike, dust box and mounting hardware. NOTE: standard spacing between knob (lever) hub and mortise bolt hub is 2-3/4" c-c.

Interior Escutcheon Knob (Lever) Set – Full Dummy includes two escutcheons, two knobs (levers), 4" straight spindle (8mm), two dummy mounting plates and mounting hardware.

Interior Escutcheon Knob (Lever) Set – Half Dummy includes an escutcheon, knob (lever), dummy mount spindle and mounting hardware.

Interior Knob Sets – 2³/₈"

- 7900** Knob and Rosette – Passage Set
- 7908** Knob and Rosette – Privacy Set
- 7916** Knob and Rosette – Full Dummy
- 7924** Knob and Rosette – Half Dummy

- 7965** Knob Only – 2-3/8"
- 7976** Rose Only – 2-5/8"

standard finishes

AB|ABB|BB|BZ|KN|PA|PB|PBNL|TN|WB|WZ|
ABN|AN|AP|BN|MB|NC|PC|PN|SN|WA|WC|WN|WP

premium finishes

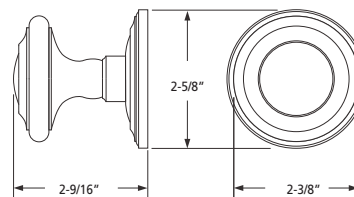
APS|APN|PB-PVD|PS|SS|SCR|PCR|SC
gold plating available upon request

price list

page 9

material

solid brass



Interior Knob Sets – 2⁷/₈"

- 7901** Knob and Rosette – Passage Set
- 7909** Knob and Rosette – Privacy Set
- 7917** Knob and Rosette – Full Dummy
- 7925** Knob and Rosette – Half Dummy

- 7966** Knob Only – 2-7/8"
- 7977** Rose Only – 3"

standard finishes

AB|ABB|BB|BZ|KN|PA|PB|PBNL|TN|WB|WZ|
ABN|AN|AP|BN|MB|NC|PC|PN|SN|WA|WC|WN|WP

premium finishes

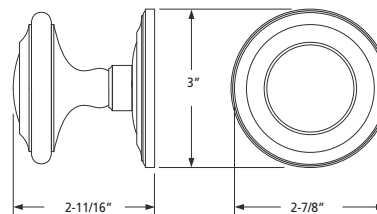
APS|APN|PB-PVD|PS|SS|SCR|PCR|SC
gold plating available upon request

price list

page 9

material

solid brass



HOW TO ORDER

- 1 Specify application.
- 2 Specify finish. If split finish required, please indicate exterior/interior.
- 3 Specify door thickness. Standard thickness is 1-3/8".
- 4 Specify backset. Standard backset is 2-3/8".
- 5 Specify hand of door – RH/LH – if split finish required.
- 6 Specify if pre-drilled adapters are required. (part #9749)

REMEMBER...

- 1 FULL LIP strikes are standard. Specify SUB 'T' strike, if required.
- 2 Consider utilizing an interior mortise lock for quality installations.
- 3 All knobs, levers and roses are interchangeable.
- 4 Standard backset 2-3/8". If required specify 2-3/4" backset.
- 5 Lever strength latches will be supplied with all large knobs.

Interior Cross Hatch Knob Set – 2¼”

- 7902 Knob and Rosette – Passage Set
- 7910 Knob and Rosette – Privacy Set
- 7918 Knob and Rosette – Full Dummy
- 7926 Knob and Rosette – Half Dummy

- 7967 Knob Only – 2-1/4”
- 7978 Rose Only – 2”

standard finishes

AB	ABB	BB	BZ	KN	PA	PB	PBNL	TN	WB	WZ		
ABN	AN	AP	BN	MB	NC	PC	PN	SN	WA	WC	WN	WP

premium finishes

APS	APN	PB-PVD	PS	SS	SCR	PCR	SC
-----	-----	--------	----	----	-----	-----	----

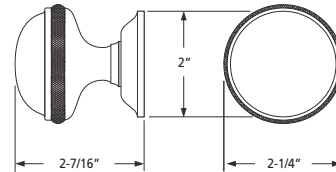
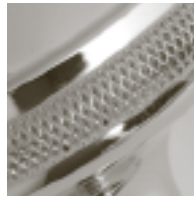
gold plating available upon request

price list

page 9

material

solid brass



Interior Coined Knob Set – 2¼”

- 7903 Knob and Rosette – Passage Set
- 7911 Knob and Rosette – Privacy Set
- 7919 Knob and Rosette – Full Dummy
- 7927 Knob and Rosette – Half Dummy

- 7968 Knob Only – 2-1/4”
- 7978 Rose Only – 2”

standard finishes

AB	ABB	BB	BZ	KN	PA	PB	PBNL	TN	WB	WZ		
ABN	AN	AP	BN	MB	NC	PC	PN	SN	WA	WC	WN	WP

premium finishes

APS	APN	PB-PVD	PS	SS	SCR	PCR	SC
-----	-----	--------	----	----	-----	-----	----

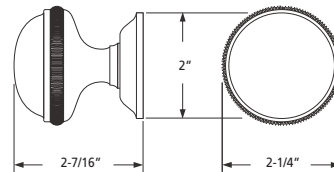
gold plating available upon request

price list

page 9

material

solid brass



SET COMPONENTS

Knob (Lever) and Rosette – Passage Set includes two rosettes (passage), two knobs (levers), passage latch (2-3/8” backset), full lip strike, latch faceplate, 4” straight spindle (8mm), two rosette mount plates, two rosette mount plate hubs, dust box and mounting hardware.

NOTE: if required, order pre-drilled adapter (part # 9749) separately.

Knob (Lever) and Rosette – Privacy Set includes two rosettes (privacy), two knobs (levers), privacy latch (2-3/8” backset), full lip strike, latch faceplate, 4” swivel spindle (8mm), two rosette mount plates, two rosette mount plate hubs, privacy pin, dust box and mounting hardware.

NOTE: if required, order pre-drilled adapter (part # 9749) separately.

Knob (Lever) and Rosette – Full Dummy includes two rosettes, two knobs (levers), 4” straight spindle (8mm), two dummy rosette mount plates, two rosette mount plate hubs, and mounting hardware.

Knob (Lever) and Rosette – Half Dummy includes rosette, knob (lever), dummy mount spindle, rosette mount plate hub and mounting hardware.



Interior Knob Sets

standard finishes

AB | ABB | BB | BZ | KN | PA | PB | PBNL | TN | WB | WZ |
 ABN | AN | AP | BN | MB | NC | PC | PN | SN | WA | WC | WN | WP

premium finishes

APS | APN | PB-PVD | PS | SS | SCR | PCR | SC
 gold plating available upon request

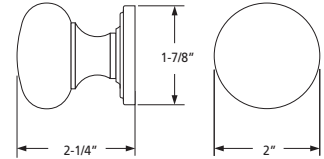
price list

page 9

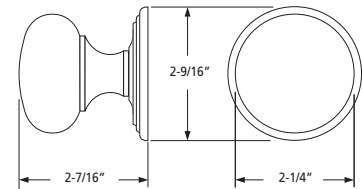
material

solid brass

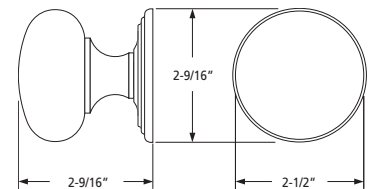
- 7300** Knob and Rosette – Passage Set
- 7308** Knob and Rosette – Privacy Set
- 7316** Knob and Rosette – Full Dummy
- 7324** Knob and Rosette – Half Dummy
- 7365** Knob Only - 2"
- 7376** Rose Only - 1-7/8"



- 7301** Knob and Rosette – Passage Set
- 7309** Knob and Rosette – Privacy Set
- 7317** Knob and Rosette – Full Dummy
- 7325** Knob and Rosette – Half Dummy
- 7366** Knob Only - 2-1/4"
- 7377** Rose Only - 2-9/16"



- 7302** Knob and Rosette – Passage Set
- 7310** Knob and Rosette – Privacy Set
- 7318** Knob and Rosette – Full Dummy
- 7326** Knob and Rosette – Half Dummy
- 7367** Knob Only - 2-1/2"
- 7377** Rose Only - 2-9/16"



HOW TO ORDER

- 1 Specify application.
- 2 Specify finish. If split finish required, please indicate exterior/interior.
- 3 Specify door thickness. Standard thickness is 1-3/8".
- 4 Specify backset. Standard backset is 2-3/8".
- 5 Specify hand of door – RH/LH – if split finish required.
- 6 Specify if pre-drilled adapters are required. (part #9749)

REMEMBER...

- 1 FULL LIP strikes are standard. Specify SUB "T" strike, if required.
- 2 Consider utilizing an interior mortise lock for quality installations.
- 3 All knobs, levers and roses are interchangeable.
- 4 Standard backset 2-3/8". If required specify 2-3/4" backset.
- 5 Lever strength latches will be supplied with all large knobs.

Interior Oval Knob Sets

- 7905 Knob and Rosette – Passage Set
- 7913 Knob and Rosette – Privacy Set
- 7921 Knob and Rosette – Full Dummy
- 7929 Knob and Rosette – Half Dummy

- 7969 Oval Knob Only - 1-5/8" x 2-3/8"
- 7982 Rose Only - 2-1/2" x 4-3/4"

standard finishes

AB	ABB	BB	BZ	KN	PA	PB	PBNL	TN	WB	WZ		
ABN	AN	AP	BN	MB	NC	PC	PN	SN	WA	WC	WN	WP

premium finishes

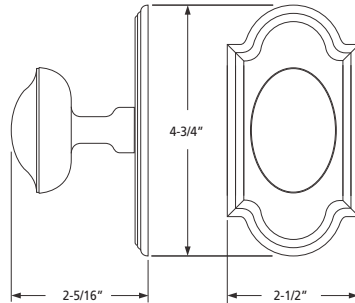
APS	APN	PB-PVD	PS	SS	SCR	PCR	SC
gold plating available upon request							

price list

page 9

material

solid brass



PROFILE OPTION
SQUARE CORNER AVAILABLE



EDGE OPTION
HUTTER OFFSET ARCH



EDGE OPTION
HUTTER OFFSET SQUARE

Interior Lever Sets

- 7937 Lever and Rosette – Passage Set
- 7945 Lever and Rosette – Privacy Set
- 7953 Lever and Rosette – Full Dummy
- 7961 Lever and Rosette – Half Dummy

- 7973 Lever Only - 4-1/8"
- 7982 Rose Only - 2-1/2" x 4-3/4"

standard finishes

AB	ABB	BB	BZ	KN	PA	PB	PBNL	TN	WB	WZ		
ABN	AN	AP	BN	MB	NC	PC	PN	SN	WA	WC	WN	WP

premium finishes

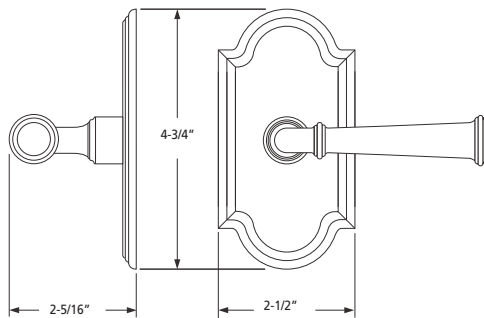
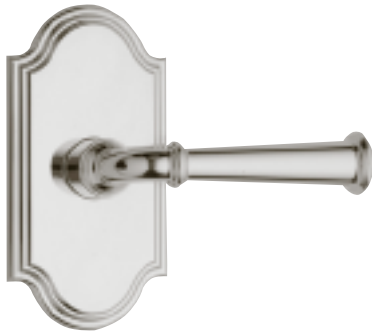
APS	APN	PB-PVD	PS	SS	SCR	PCR	SC
gold plating available upon request							

price list

page 10

material

solid brass



PROFILE OPTION
OVAL PROFILE AVAILABLE



EDGE OPTION
HUTTER OFFSET OVAL

SET COMPONENTS

Knob (Lever) and Rosette – Passage Set includes two rosettes (passage), two knobs (levers), passage latch (2-3/8" backset), full lip strike, latch faceplate, 4" straight spindle (8mm), two rosette mount plates, two rosette mount plate hubs, dust box and mounting hardware.

NOTE: if required, order pre-drilled adapter (part # 9749) separately.

Knob (Lever) and Rosette – Privacy Set includes two rosettes (privacy), two knobs (levers), privacy latch (2-3/8" backset), full lip strike, latch faceplate, 4" swivel spindle (8mm), two rosette mount plates, two rosette mount plate hubs, privacy pin, dust box and mounting hardware.

NOTE: if required, order pre-drilled adapter (part # 9749) separately.

Knob (Lever) and Rosette – Full Dummy includes two rosettes, two knobs (levers), 4" straight spindle (8mm), two dummy rosette mount plates, two rosette mount plate hubs, and mounting hardware.

Knob (Lever) and Rosette – Half Dummy includes rosette, knob (lever), dummy mount spindle, rosette mount plate hub and mounting hardware.

Interior Lever Sets

standard finishes

AB | ABB | BB | BZ | KN | PA | PB | PBNL | TN | WB | WZ |
 ABN | AN | AP | BN | MB | NC | PC | PN | SN | WA | WC | WN | WP

premium finishes

APS | APN | PB-PVD | PS | SS | SCR | PCR | SC
 gold plating available upon request

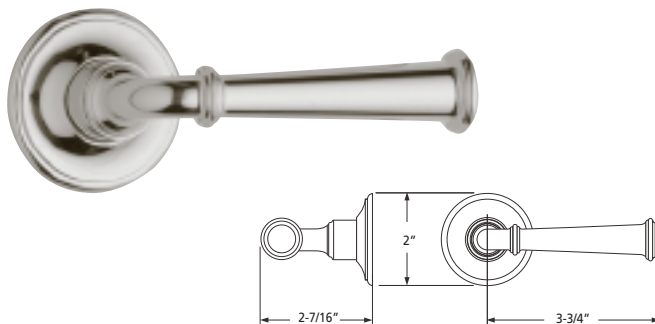
price list

page 10

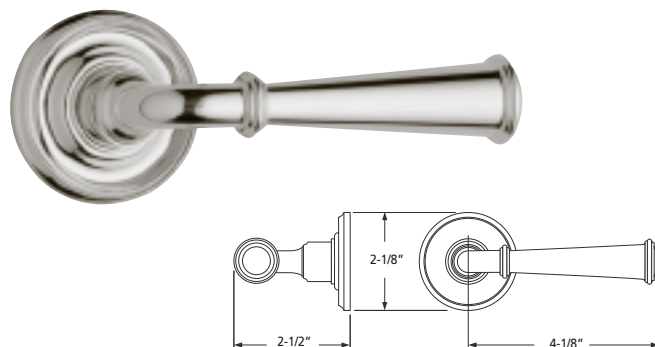
material

solid brass

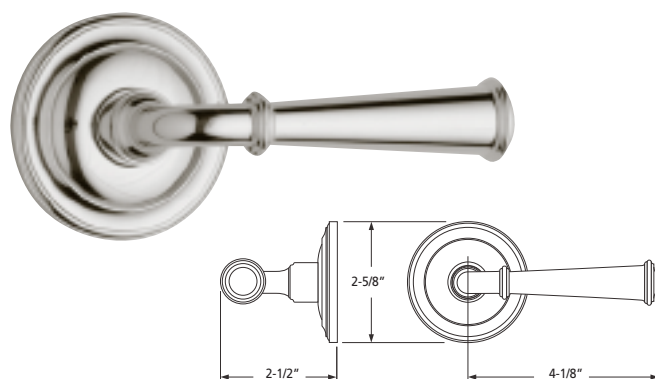
- 7934 Lever and Rosette – Passage Set
- 7942 Lever and Rosette – Privacy Set
- 7950 Lever and Rosette – Full Dummy
- 7958 Lever and Rosette – Half Dummy
- 7972 Lever Only - 3-3/4"
- 7979 Rose Only - 2"



- 7935 Lever and Rosette – Passage Set
- 7943 Lever and Rosette – Privacy Set
- 7951 Lever and Rosette – Full Dummy
- 7959 Lever and Rosette – Half Dummy
- 7973 Lever Only - 4-1/8"
- 7980 Rose Only - 2-1/8"



- 7933 Lever and Rosette – Passage Set
- 7941 Lever and Rosette – Privacy Set
- 7949 Lever and Rosette – Full Dummy
- 7957 Lever and Rosette – Half Dummy
- 7973 Lever Only - 4-1/8"
- 7976 Rose Only - 2-5/8"



HOW TO ORDER

- 1 Specify application.
- 2 Specify finish. If split finish required, please indicate exterior/interior.
- 3 Specify door thickness. Standard thickness is 1-3/8".
- 4 Specify backset. Standard backset is 2-3/8".
- 5 Specify hand of door – RH/LH – for half dummy lever.
- 6 Specify if pre-drilled adapters are required. (part #9749)

REMEMBER...

- 1 FULL LIP strikes are standard. Specify SUB 'T' strike, if required.
- 2 Consider utilizing an interior mortise lock for quality installations.
- 3 All knobs, levers and roses are interchangeable.
- 4 Standard backset 2-3/8". If required specify 2-3/4" backset.

LEVER SETS

INTERIOR

Interior Lever Sets

standard finishes

AB	ABB	BB	BZ	KN	PA	PB	PBNL	TN	WB	WZ										
ABN	AN	AP	BN	MB	NC	PC	PN	SN	WA	WC	WN	WP								

premium finishes

APS	APN	PB-PVD	PS	SS	SCR	PCR	SC													
-----	-----	--------	----	----	-----	-----	----	--	--	--	--	--	--	--	--	--	--	--	--	--

gold plating available upon request

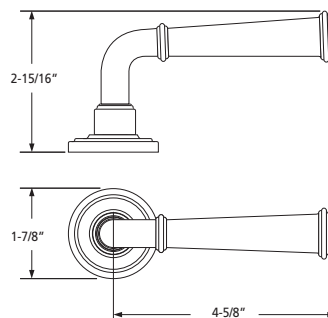
price list

page 10

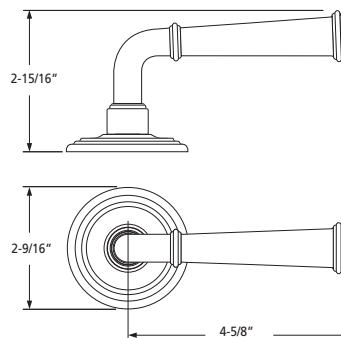
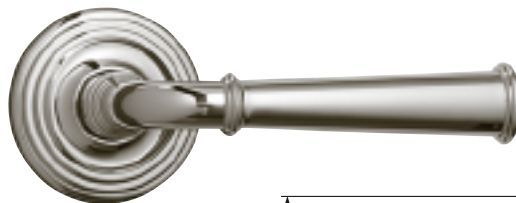
material

solid brass

- 7333 Lever and Rosette – Passage Set
- 7341 Lever and Rosette – Privacy Set
- 7349 Lever and Rosette – Full Dummy
- 7357 Lever and Rosette – Half Dummy
- 7374 Lever Only - 4-5/8"
- 7376 Rose Only - 1-7/8"



- 7334 Lever and Rosette – Passage Set
- 7342 Lever and Rosette – Privacy Set
- 7350 Lever and Rosette – Full Dummy
- 7358 Lever and Rosette – Half Dummy
- 7374 Lever Only - 4-5/8"
- 7377 Rose Only - 2-9/16"



SET COMPONENTS

Knob (Lever) and Rosette – Passage Set includes two rosettes (passage), two knobs (levers), passage latch (2-3/8" backset), full lip strike, latch faceplate, 4" straight spindle (8mm), two rosette mount plates, two rosette mount plate hubs, dust box and mounting hardware.

NOTE: if required, order pre-drilled adapter (part # 9749) separately.

Knob (Lever) and Rosette – Privacy Set includes two rosettes (privacy), two knobs (levers), privacy latch (2-3/8" backset), full lip strike, latch faceplate, 4" swivel spindle (8mm), two rosette mount plates, two rosette mount plate hubs, privacy pin, dust box and mounting hardware.

NOTE: if required, order pre-drilled adapter (part # 9749) separately.

Knob (Lever) and Rosette – Full Dummy includes two rosettes, two knobs (levers), 4" straight spindle (8mm), two dummy rosette mount plates, two rosette mount plate hubs, and mounting hardware.

Knob (Lever) and Rosette – Half Dummy includes rosette, knob (lever), dummy mount spindle, rosette mount plate hub and mounting hardware.

INTERIOR



LEVER SETS

Pulls, Push Plates & Pull Plates

7889 Pull (8" c-c)

7890 Pull (12" c-c)

7881 Push Plate (2" x 11")

7882 Push Plate (2-1/2" x 12")

7883 Push Plate (3" x 20")

7884 Pull w/Rose (8" c-c) (includes 7980 Rose)

7885 Pull Plate (2-1/2" x 12") (includes 7889 Pull 8" c-c)

7886 Pull Plate (3" x 20") (includes 7889 Pull 8" c-c)

7887 Pull Plate (3" x 20") (includes 7890 Pull 12" c-c)

standard finishes

AB | ABB | BB | BZ | KN | PA | PB | PBNL | TN | WB | WZ |
 ABN | AN | AP | BN | MB | NC | PC | PN | SN | WA | WC | WN | WP

premium finishes

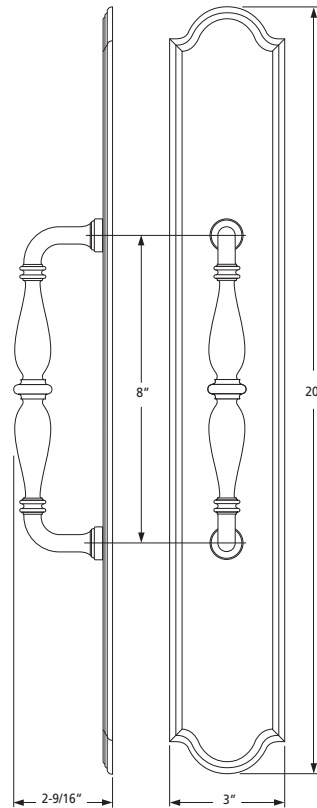
APS | APN | PB-PVD | PS | SS | SCR | PCR | SC
 gold plating available upon request

price list

page 11

material

solid brass



PROFILE OPTION
 SQUARE CORNER AVAILABLE



EDGE OPTION
 HUTTER OFFSET ARCH



EDGE OPTION
 HUTTER OFFSET SQUARE



PULL PLATES

PULLS, PUSH PLATES

HOW TO ORDER

- 1 Specify application.
- 2 Specify finish.
- 3 Specify door thickness. Standard thickness is 1-3/4".

REMEMBER...

- 1 Back-to-back applications available for pulls and pull plates. Specify part # 9958 for upcharge
- 2 Custom drilling available.
- 3 Custom sizes, square corner and offset edge options available.

Flush Pulls

- 7891 Flush Pull Only (2-1/2" x 12")
- 7892 Flush Pull w/turnpiece (2-1/2" x 12")
- 7893 Flush Pull w/cylinder hole (2-1/2" x 12")

- 7391 Complete Flush Pull Set – Passage w/9730
- 7392 Complete Flush Pull Set – Passage w/Accurate 2000
- 7393 Complete Flush Pull Set – Privacy w/Accurate 2002

standard finishes

AB	ABB	BB	BZ	KN	PA	PB	PBNL	TN	WB	WZ		
ABN	AN	AP	BN	MB	NC	PC	PN	SN	WA	WC	WN	WP

premium finishes

APS	APN	PB-PVD	PS	SS	SCR	PCR	SC
-----	-----	--------	----	----	-----	-----	----

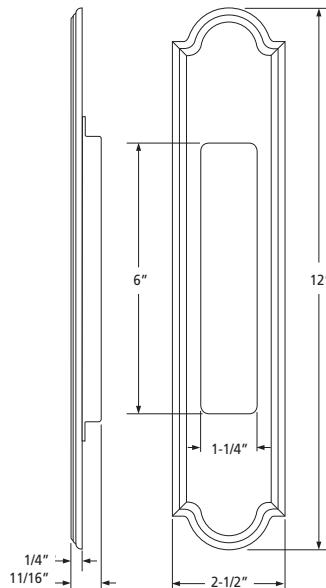
gold plating available upon request

price list

page 11

material

solid brass



PROFILE OPTION
SQUARE CORNER AVAILABLE



EDGE OPTION
HUTTER OFFSET ARCH



EDGE OPTION
HUTTER OFFSET SQUARE



FLUSH PULLS

HOW TO ORDER

- 1 Specify application.
- 2 Specify finish.
- 3 Specify door thickness. Standard thickness is 1-3/4".

REMEMBER...

- 1 Verify jamb clearance for escutcheon projection.
- 2 Edge pulls available – Standard or Mortise.
- 3 Flush Pull locks, Edge Pulls and Cylinders must be ordered separately.
- 4 Custom sizes, square corner and offset edge options available.

Auxiliary Deadbolts

7988 Complete Auxiliary Deadbolt Set
(Key & Turnpiece 1-5/8")

7989 Complete Auxiliary Deadbolt Set
(Key & Key 1-5/8")

7991 Complete Auxiliary Deadbolt Set
(Key & Turnpiece 2-1/8")

7992 Complete Auxiliary Deadbolt Set
(Key & Key 2-1/8")

standard finishes

AB	ABB	BB	BZ	KN	PA	PB	PBNL	TN	WB	WZ		
ABN	AN	AP	BN	MB	NC	PC	PN	SN	WA	WC	WN	WP

premium finishes

APS	APN	PB-PVD	PS	SS	SCR	PCR	SC
-----	-----	--------	----	----	-----	-----	----

gold plating available upon request

price list

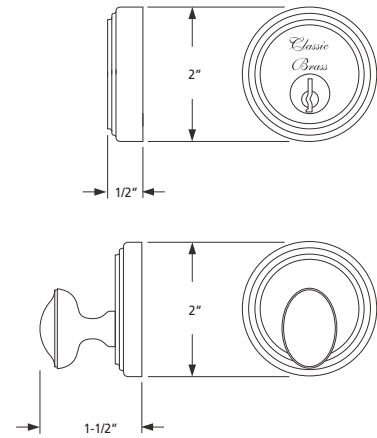
page 12

material

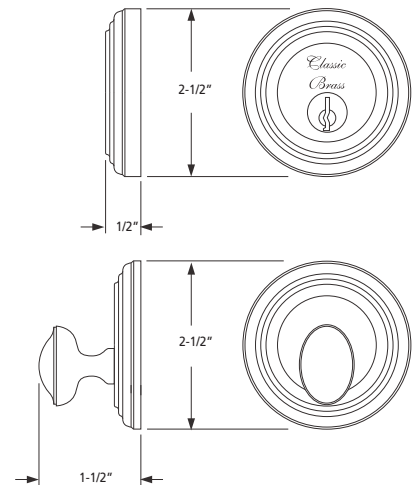
solid brass



Note: for 1-5/8" bore installation



Note: for 2-1/8" bore installation



HOW TO ORDER

- 1 Specify application and collar size.
- 2 Specify finish. If split finish required, specify exterior/interior.
- 3 Specify door thickness. Standard thickness is 1-3/4".
- 4 Specify backset required. Standard is 2-3/8" (adjustable to 2-3/4")

REMEMBER...

- 1 Available for thick doors.
- 2 Should you require key alike, please specify.

Screen Door Sets

standard finishes

AB | ABB | BB | BZ | KN | PA | PB | PBNL | TN | WB | WZ |
 ABN | AN | AP | BN | MB | NC | PC | PN | SN | WA | WC | WN | WP

premium finishes

APS | APN | PB-PVD | PS | SS | SCR | PCR | SC
 gold plating available upon request

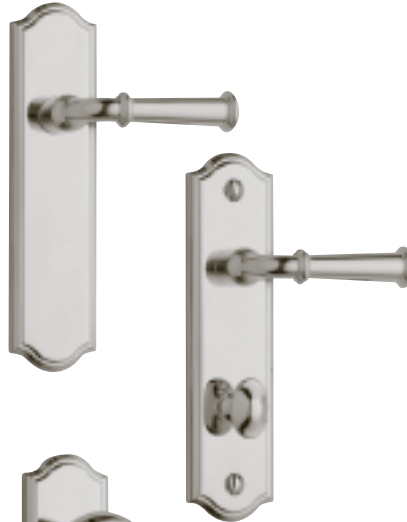
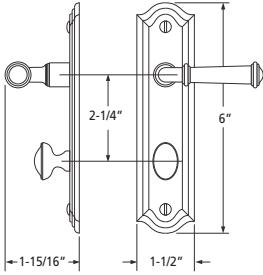
price list

page 12

material

solid brass

- 7894 Screen Door Lever Set - Passage
- 7895 Screen Door Lever Set - Patio
- 7381 Screen Door Lever Set - Full Dummy



PROFILE OPTION
 SQUARE CORNER AVAILABLE

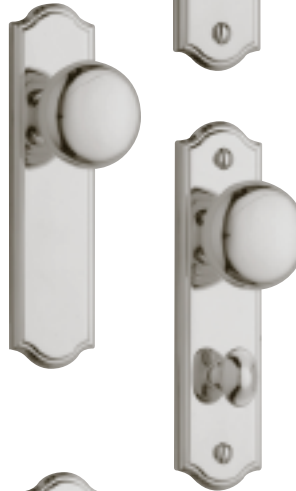
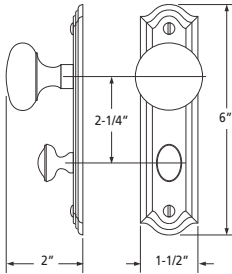


EDGE OPTION
 HUTTER OFFSET ARCH

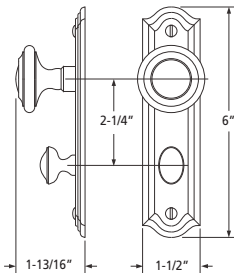


EDGE OPTION
 HUTTER OFFSET SQUARE

- 7896 Screen Door Knob Set - Passage
- 7897 Screen Door Knob Set - Patio
- 7382 Screen Door Knob Set - Full Dummy



- 7898 Screen Door Knob Set - Passage
- 7899 Screen Door Knob Set - Patio
- 7383 Screen Door Knob Set - Full Dummy



SCREEN DOOR

SETS



HOW TO ORDER

- 1 Specify application.
- 2 Specify finish. If split finish required, specify exterior/interior.
- 3 Specify backset. 1-1/2" is standard.
- 4 Specify door thickness.
- 5 Specify hand of door - RH/LH.

REMEMBER...

- 1 Standard backset - 1-1/2". Specify 1-3/4" or 2" backset if required.
- 2 Knobs and lever are interchangeable.
- 3 Custom drilling available.
- 4 Custom sizes, square corner and offset options available.

Mortise Bolts

- 7994 Complete Mortise Bolt Set
- 7995 Mortise Bolt and Turnpiece w/ Plate
- 7996 Turnpiece and Plate

standard finishes

AB|ABB|BB|BZ|KN|PA|PB|PBNL|TN|WB|WZ|
 ABN|AN|AP|BN|MB|NC|PC|PN|SN|WA|WC|WN|WP

premium finishes

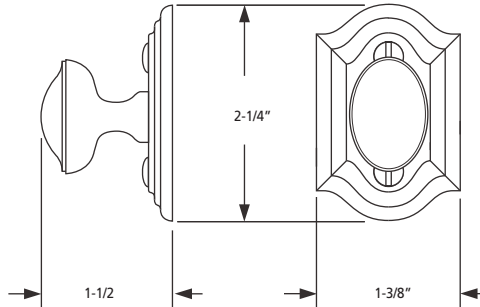
APS|APN|PB-PVD|PS|SS|SCR|PCR|SC
 gold plating available upon request

price list

page 12

material

solid brass



PROFILE OPTION
 SQUARE CORNER AVAILABLE



EDGE OPTION
 HUTTER OFFSET ARCH



EDGE OPTION
 HUTTER OFFSET SQUARE



PROFILE OPTION
 OVAL PROFILE AVAILABLE

NEW ITEMS



Mortise Bolts – Round/Oval Turnpiece

- 7384 Complete Mortise Bolt Set
- 7385 Mortise Bolt and Turnpiece w/Plate
- 7386 Turnpiece and Plate

standard finishes

AB|ABB|BB|BZ|KN|PA|PB|PBNL|TN|WB|WZ|
 ABN|AN|AP|BN|MB|NC|PC|PN|SN|WA|WC|WN|WP

premium finishes

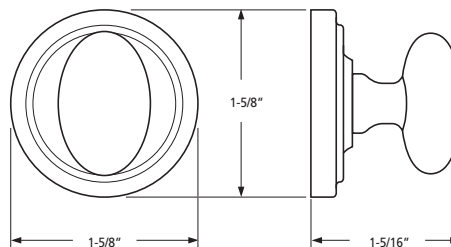
APS|APN|PB-PVD|PS|SS|SCR|PCR|SC
 gold plating available upon request

price list

page 12

material

solid brass



HOW TO ORDER

- 1 Specify application.
- 2 Specify finish.
- 3 Specify door thickness. Standard thickness is 1-3/4".
- 4 Specify backset required. Standard is 2-3/8".

REMEMBER...

- 1 Standard backset is 2-3/8". If required specify 2-3/4".
- 2 Available for thick doors.
- 3 Custom sizes, square corner, and offset options available.

Mortise Bolts – Round/Anchor Turnpiece

- 7387 Complete Mortise Bolt Set
- 7388 Mortise Bolt and Turnpiece w/Plate
- 7389 Turnpiece and Plate

NEW ITEMS



standard finishes

AB | ABB | BB | BZ | KN | PA | PB | PBNL | TN | WB | WZ |
 ABN | AN | AP | BN | MB | NC | PC | PN | SN | WA | WC | WN | WP

premium finishes

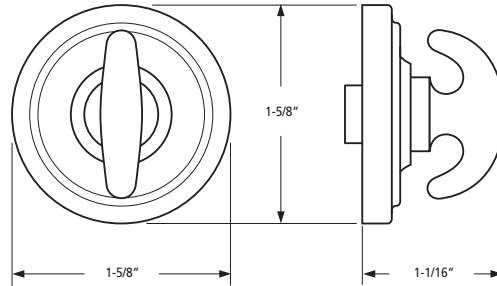
APS | APN | PB-PVD | PS | SS | SCR | PCR | SC
 gold plating available upon request

price list

page 12

material

solid brass



Mortise Bolts – Oval/Oval Turnpiece

- 7394 Complete Mortise Bolt Set
- 7395 Mortise Bolt and Turnpiece w/Plate
- 7396 Turnpiece and Plate

NEW ITEMS



standard finishes

AB | ABB | BB | BZ | KN | PA | PB | PBNL | TN | WB | WZ |
 ABN | AN | AP | BN | MB | NC | PC | PN | SN | WA | WC | WN | WP

premium finishes

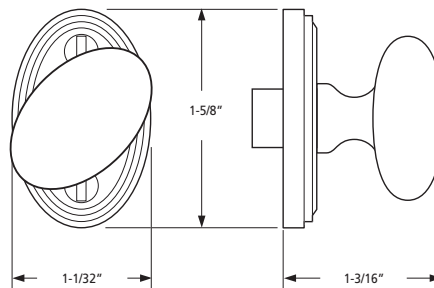
APS | APN | PB-PVD | PS | SS | SCR | PCR | SC
 gold plating available upon request

price list

page 12

material

solid brass



MORTISE

BOLTS



HOW TO ORDER

- 1 Specify application.
- 2 Specify finish.
- 3 Specify door thickness. Standard thickness is 1-3/4".
- 4 Specify backset required. Standard is 2-3/8".

REMEMBER...

- 1 Standard backset is 2-3/8". If required specify 2-3/4".
- 2 Available for thick doors.

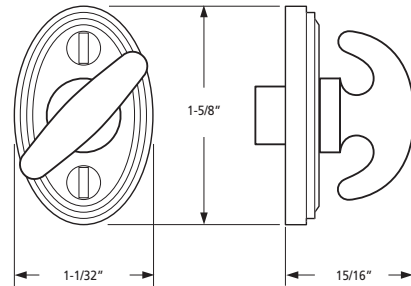
Mortise Bolts – Oval/Anchor Turnpiece

- 7397 Complete Mortise Bolt Set
- 7398 Mortise Bolt and Turnpiece w/Plate
- 7399 Turnpiece and Plate

NEW ITEMS



standard finishes												premium finishes				price list	material					
AB	ABB	BB	BZ	KN	PA	PB	PBNL	TN	WB	WZ		APS	APN	PB-PVD	PS	SS	SCR	PCR	SC	page 12	solid brass	
ABN	AN	AP	BN	MB	NC	PC	PN	SN	WA	WC	WN	WP	gold plating available upon request									



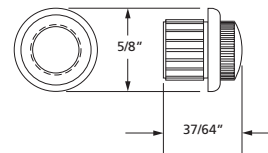
Emergency Egress Trim

- 9937 EE Trim w/Cover

NEW ITEMS



standard finishes												premium finishes				price list	material					
AB	ABB	BB	BZ	KN	PA	PB	PBNL	TN	WB	WZ		APS	APN	PB-PVD	PS	SS	SCR	PCR	SC	page 36	solid brass	
ABN	AN	AP	BN	MB	NC	PC	PN	SN	WA	WC	WN	WP	gold plating available upon request									



HOW TO ORDER

- 1 Specify application.
- 2 Specify finish. If split finish required, specify exterior/interior.
- 3 Specify door thickness. Standard thickness is 1-3/4".
- 4 Specify backset required. Standard is 2-3/8".

REMEMBER...

- 1 Standard backset is 2-3/8". If required specify 2-3/4".
- 2 Available for thick doors.

Cylinder Collars

9930 Cylinder Collar

NEW ITEMS

13

standard finishes

AB | ABB | BB | BZ | KN | PA | PB | PBNL | TN | WB | WZ |
 ABN | AN | AP | BN | MB | NC | PC | PN | SN | WA | WC | WN | WP

premium finishes

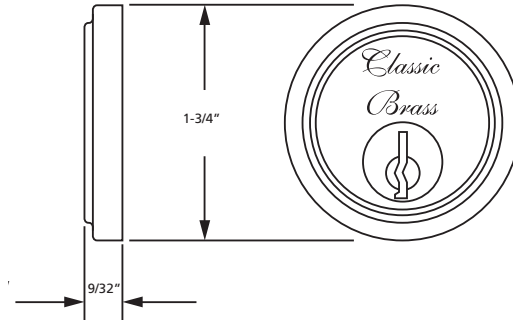
APS | APN | PB-PVD | PS | SS | SCR | PCR | SC
 gold plating available upon request

price list

page 36

material

solid brass



CYLINDER COLLARS

Door Stop

9741 Door Stop

standard finishes

AB | ABB | BB | BZ | KN | PA | PB | PBNL | TN | WB | WZ |
 ABN | AN | AP | BN | MB | NC | PC | PN | SN | WA | WC | WN | WP

premium finishes

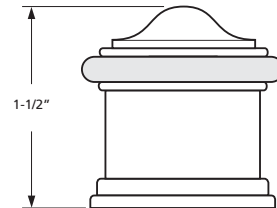
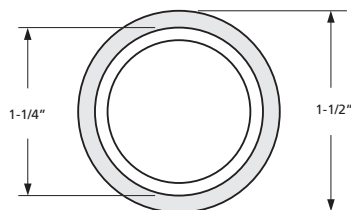
APS | APN | PB-PVD | PS | SS | SCR | PCR | SC
 gold plating available upon request

price list

page 36

material

solid brass



DOOR STOP

HOW TO ORDER

1 Specify finish.

REMEMBER...

1 Should you require a modified height on door stop - contact us.

Door Bell

7999 Door Bell Escutcheon

standard finishes

AB	ABB	BB	BZ	KN	PA	PB	PBNL	TN	WB	WZ		
ABN	AN	AP	BN	MB	NC	PC	PN	SN	WA	WC	WN	WP

premium finishes

APS	APN	PB-PVD	PS	SS	SCR	PCR	SC
-----	-----	--------	----	----	-----	-----	----

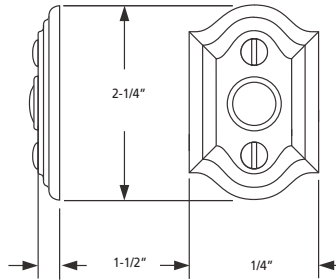
gold plating available upon request

price list

page 12

material

solid brass



PROFILE OPTION
SQUARE CORNER AVAILABLE



EDGE OPTION
HUTTER OFFSET ARCH



EDGE OPTION
HUTTER OFFSET SQUARE

Door Knocker

7998 Door Knocker

standard finishes

AB	ABB	BB	BZ	KN	PA	PB	PBNL	TN	WB	WZ		
ABN	AN	AP	BN	MB	NC	PC	PN	SN	WA	WC	WN	WP

premium finishes

APS	APN	PB-PVD	PS	SS	SCR	PCR	SC
-----	-----	--------	----	----	-----	-----	----

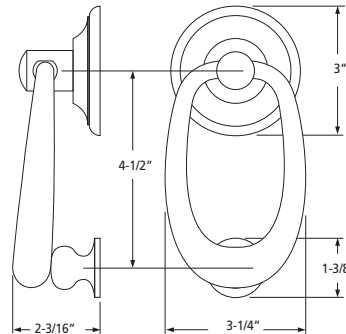
gold plating available upon request

price list

page 12

material

solid brass



HOW TO ORDER

- 1 Specify application.
- 2 Specify finish.

REMEMBER...

- 1 Doorbell button NOT included.
- 2 Custom sizes, square corner and oval profile option available.

st. georges

COLLECTION



Entrance Handle Sets	page SG-1
Entrance Knob Sets	page SG-2
Entrance Lever Sets	page SG-3
Multi Point Sets	pages SG-4/5
Interior Escutcheon Sets ..	pages SG-6/7
Knob Sets	SG-8
Lever Sets	SG-9
Push Plates/Pulls	SG-10
Flush Pulls	SG-11
Auxiliary Deadbolts	SG-12
Mortise Bolts	SG-13
Door Knocker/Door Bell	SG-14

ST. GEORGES
finishes



antique brass (AB)



antique burnished brass (ABB)



antique burnished nickel (ABN)



antique nickel (AN)



antique pewter (AP)



burnished brass (BB)



burnished nickel (BN)



oil rubbed bronze (BZ)



kensington (KN)



matte black (MB)



nickel copper (NC)



polished antique (PA)



polished brass (PB)



polished chrome (PC)



polished nickel (PN)



satin nickel (SN)



tarnished (TN)



weathered antq. nickel (WA)



weathered brass (WB)



weathered copper (WC)



weathered nickel (WN)



weathered pewter (WP)



weathered bronze (WZ)

PB-PVD and custom finishes available.

Entrance Handle Sets

- 8000** Complete Entrance Handle Set
- 8002** Complete Entrance Handle Set – Thumbpiece x Thumbpiece
- 8004** Complete Entrance Handle Set (less lock)
- 8006** Complete Entrance Handle Set – Full Dummy
- 8007** Complete Entrance Handle Set – Thumbpiece x Thumbpiece – Full Dummy

Above sets include 8157 Lever

standard finishes

AB | ABB | BB | BZ | KN | PA | PB | PBNL | TN | WB | WZ |
 ABN | AN | AP | BN | MB | NC | PC | PN | SN | WA | WC | WN | WP

premium finishes

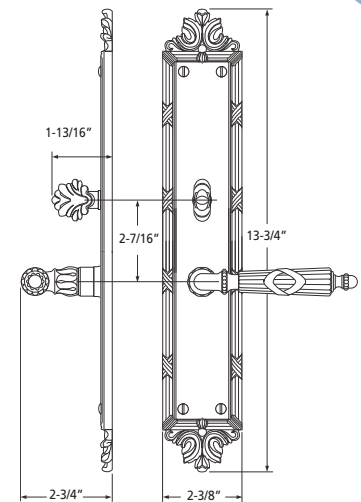
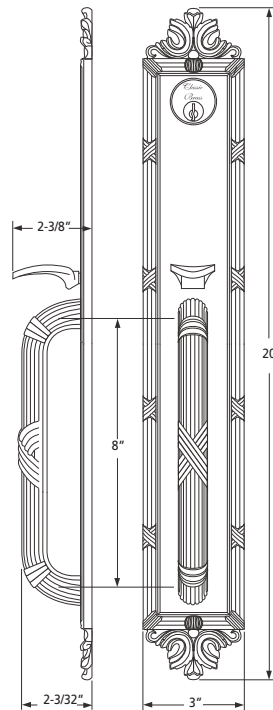
APS | APN | PB-PVD | PS | SS | SCR | PCR | SC
 gold plating available upon request

price list

page 13

material

solid brass



ENTRANCE

HANDLE SETS



HOW TO ORDER

- 1 Specify application.
- 2 Specify finish. If split finish required, please indicate exterior/interior.
- 3 Specify door thickness. Standard thickness is 1-3/4".
- 4 Specify hand of door – RH/LH.
- 5 Specify backset required. Standard is 2-1/2"

REMEMBER...

- 1 Standard mortise lock is 2-1/2" EE. Specify 2-3/4" if required.
- 2 Levers are standard. If knobs are required, specify part number.
- 3 All knobs and levers are interchangeable.
- 4 A door thickness greater than 1-3/4" will require a thick door kit.
- 5 Entrance handlesets are mortise lock ONLY.
- 6 Custom drilling is available.

Entrance Knob Sets

8010 Complete Knob Mortise Entrance Set

8011 Complete Knob Mortise Entrance Set - Full Dummy

8012 Complete Knob Latch x Auxiliary Deadbolt Set (5-1/2" c-c)

8013 Complete Knob Latch x Auxiliary Deadbolt Set - Full Dummy

Above sets include 8150 Knob

standard finishes

AB | ABB | BB | BZ | KN | PA | PB | PBNL | TN | WB | WZ |
 ABN | AN | AP | BN | MB | NC | PC | PN | SN | WA | WC | WN | WP

premium finishes

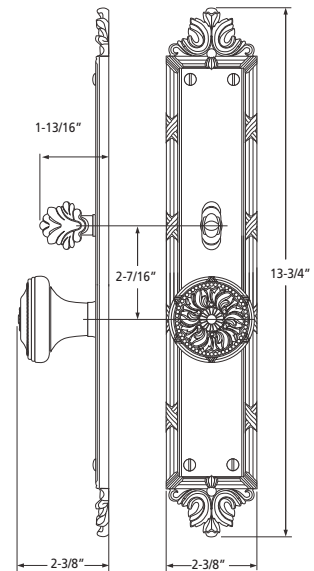
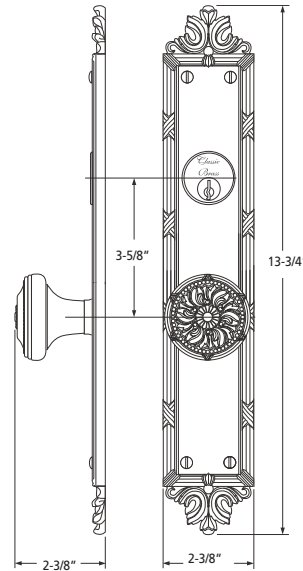
APS | APN | PB-PVD | PS | SS | SCR | PCR | SC
 gold plating available upon request

price list

page 13

material

solid brass



HOW TO ORDER

- 1 Specify application – mortise, latch x auxiliary deadbolt or full dummy.
- 2 Specify finish. If split finish required, please indicate exterior/interior.
- 3 Specify door thickness. Standard thickness is 1-3/4".
- 4 Specify hand of door – RH/LH.
- 5 Specify backset – standard for mortise lock is 2-1/2" – standard for auxiliary deadbolt is 2-3/8"

REMEMBER...

- 1 Standard mortise lock is 2-1/2" EE. Specify 2-3/4" if required.
- 2 Standard latch x auxiliary deadbolt – 5-1/2" c-c spacing and 2-3/8" backset. If required, specify 2-3/4" backset.
- 3 All knobs and levers are interchangeable.
- 4 A door thickness greater than 1-3/4" will require a thick door kit.
- 5 Custom drilling available.

Entrance Lever Sets

- 8020** Complete Lever Mortise Entrance Set
 - 8021** Complete Lever Mortise Entrance Set - Full Dummy
 - 8022** Complete Lever Latch x Auxiliary Deadbolt Set (5-1/2" c-c)
 - 8023** Complete Lever Latch x Auxiliary Deadbolt Set - Full Dummy
- Above sets include 8157 Lever

standard finishes

AB | ABB | BB | BZ | KN | PA | PB | PBNL | TN | WB | WZ |
 ABN | AN | AP | BN | MB | NC | PC | PN | SN | WA | WC | WN | WP

premium finishes

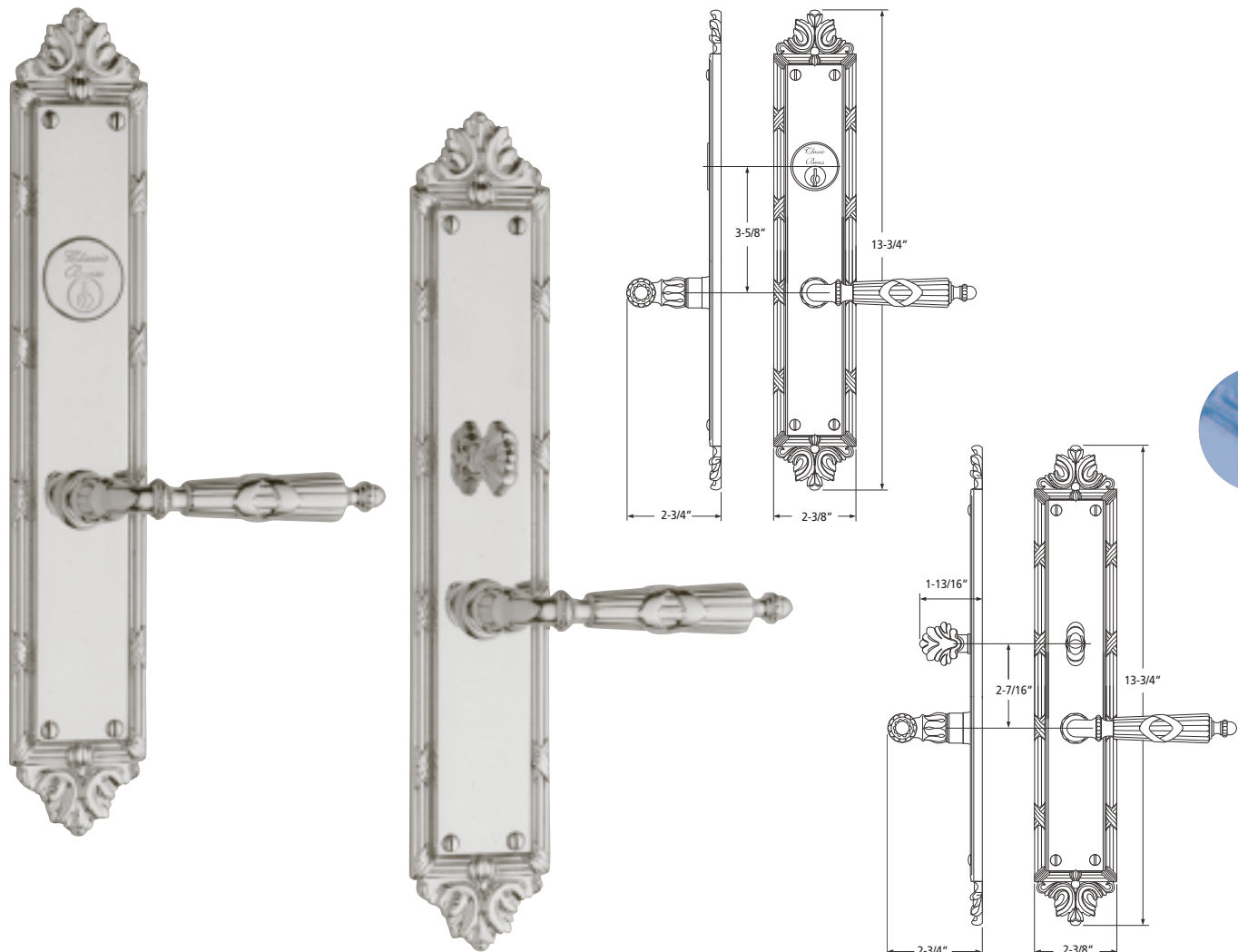
APS | APN | PB-PVD | PS | SS | SCR | PCR | SC
 gold plating available upon request

price list

page 13

material

solid brass



ENTRANCE LEVER SETS

SET COMPONENTS

Complete Entrance Knob (Lever) Set – Mortise Lock includes exterior plate, interior plate with turnpiece, two knobs (levers), 4" swivel spindle (8mm), single cylinder mortise lock (2-1/2" backset) w/EE function, faceplate, strike, dust box, mortise cylinder and mounting hardware.

Complete Entrance Knob (Lever) Set – Latch x Auxiliary Deadbolt includes exterior plate, interior plate, two knobs (levers), passage latch (2-3/8"), 4" straight spindle (8mm), auxiliary deadbolt (2-3/8"), rim cylinder, turnpiece, latch faceplate, deadbolt faceplate, full lip strike, deadbolt strike, dust boxes and mounting hardware. **NOTE:** our standard spacing between knob (lever) hub and auxiliary deadbolt is 5-1/2" c-c

Complete Entrance Knob (Lever) Set – Full Dummy includes exterior plate, interior plate, two knobs (levers), 4" straight spindle (8mm) and mounting hardware.

Multi Point Sets – American Profile

1-3/4" x 10" Multi Point Sets

- 8064 Multi Point Complete Set
- 8065 Multi Point Full Dummy Set
- 8066 Multi Point Active Dummy Set
- 8067 Multi Point Patio Set

Above sets include 8157 Lever

2-3/8" x 13-3/4" Multi Point Sets

- 8070 Multi Point Complete Set
- 8071 Multi Point Full Dummy Set
- 8072 Multi Point Active Dummy Set
- 8073 Multi Point Patio Set

Above sets include 8157 Lever

standard finishes

AB	ABB	BB	BZ	KN	PA	PB	PBNL	TN	WB	WZ													
ABN	AN	AP	BN	MB	NC	PC	PN	SN	WA	WC	WN	WP											

premium finishes

APS	APN	PB	PVD	PS	SS	SCR	PCR	SC															
-----	-----	----	-----	----	----	-----	-----	----	--	--	--	--	--	--	--	--	--	--	--	--	--	--	--

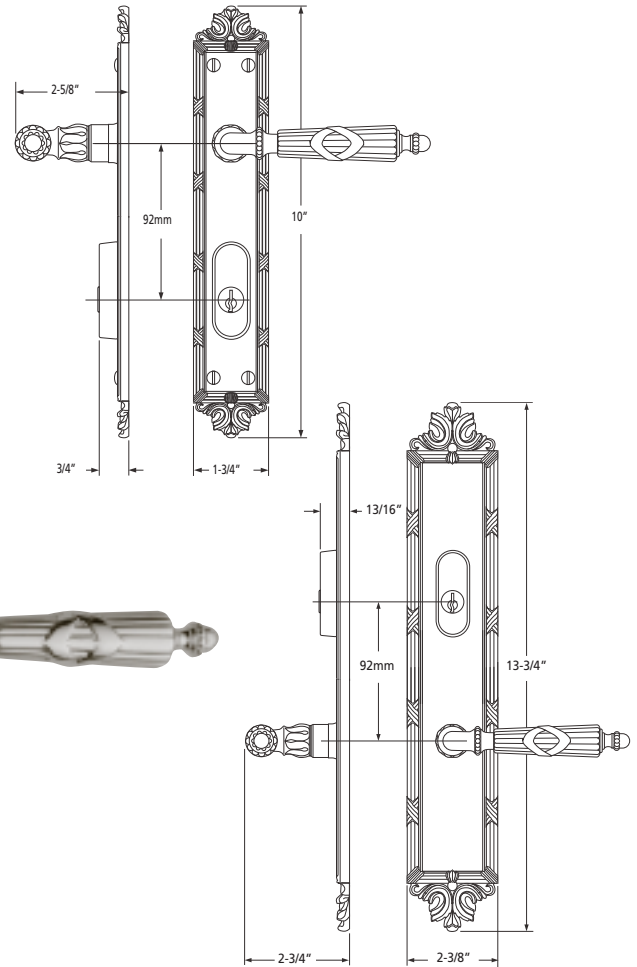
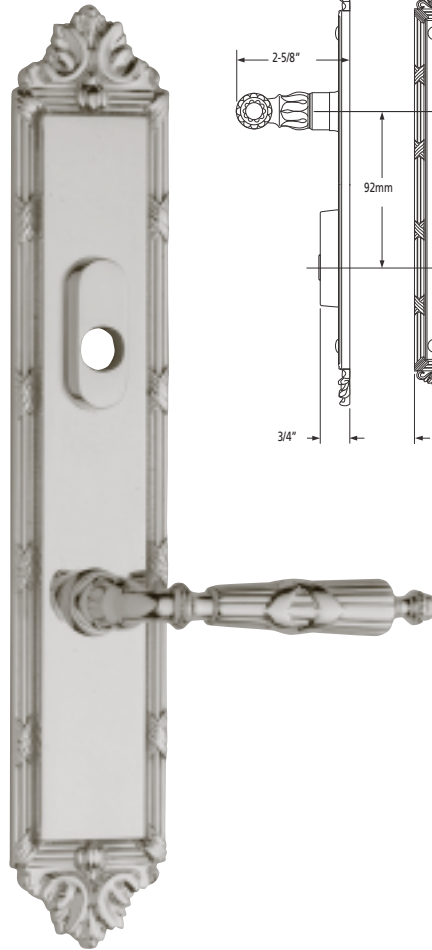
price list

page 13

material

solid brass

gold plating available upon request



AMERICAN

MULTI POINT

HOW TO ORDER

- 1 Specify application.
- 2 Specify finish. If split finish required, please indicate exterior/interior.
- 3 Specify door thickness. Standard thickness is 1-3/4".
- 4 Specify hand of door – RH/LH.
- 5 See Multi Point Check Sheet (form 500) for additional information.
- 6 Specify fixed or active exterior lever when ordering active dummy set.

REMEMBER...

- 1 Standard euro profile applications: lever high – 92mm spacing.
- 2 Standard american cylinder applications: lever high – 92mm spacing.
- 3 Specify lever low or custom c-c spacing required.
- 4 All levers are interchangeable.
- 5 Door thickness greater than 1-3/4" will require longer euro cylinders.
- 6 Cylinders INCLUDED w/all applications (collection turnpiece attached).
- 7 Strike not included.
- 8 Euro offset cylinders available upon request - contact us.

Multi Point Sets – Euro Profile

1-3/4" x 10" Multi Point Sets

- 8050 Multi Point Complete Set
- 8051 Multi Point Full Dummy Set
- 8052 Multi Point Active Dummy Set
- 8053 Multi Point Patio Set

Above sets include 8157 Lever

standard finishes

AB | ABB | BB | BZ | KN | PA | PB | PBNL | TN | WB | WZ |
 ABN | AN | AP | BN | MB | NC | PC | PN | SN | WA | WC | WN | WP

2-3/8" x 13-3/4" Multi Point Sets

- 8056 Multi Point Complete Set
- 8057 Multi Point Full Dummy Set
- 8058 Multi Point Active Dummy Set
- 8059 Multi Point Patio Set

Above sets include 8157 Lever

premium finishes

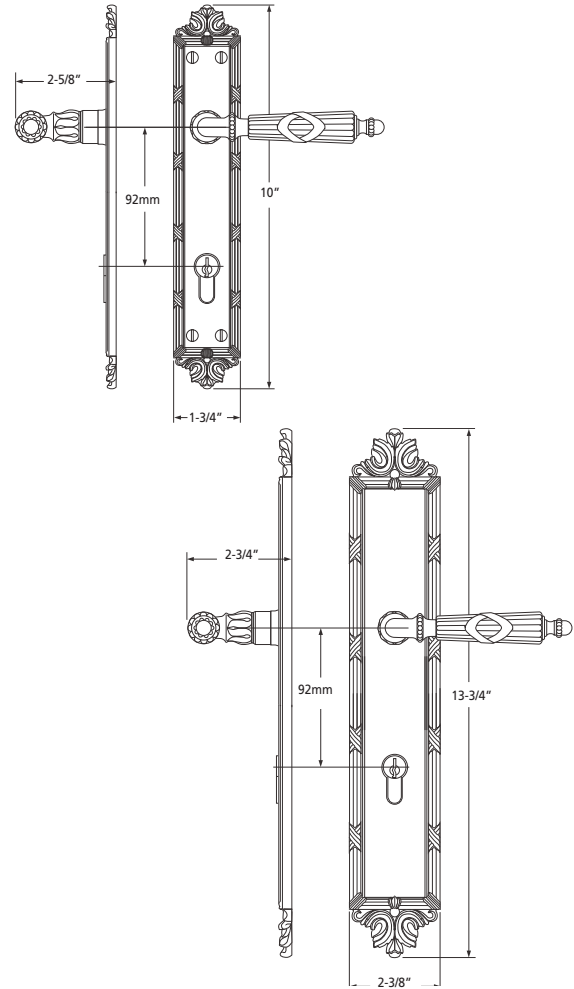
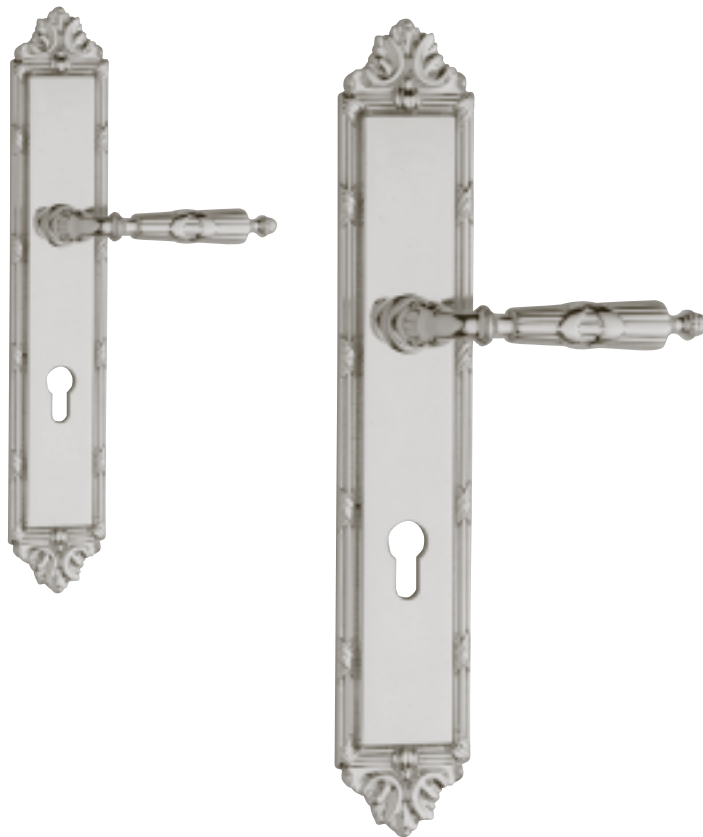
APS | APN | PB-PVD | PS | SS | SCR | PCR | SC
 gold plating available upon request

price list

page 13

material

solid brass



MULTI POINT

EUROPEAN

SET COMPONENTS

Multi Point Complete Set – Euro (American) Profile includes two escutcheons, one pair of levers, 4" straight spindle, europrofile cylinder - 62mm - kxtp (american profile cylinder) and mounting hardware. NOTE: standard spacing between lever hub and the profile cylinder is 92mm.

Multi Point Full Dummy Set – Euro (American) Profile includes two escutcheons, one pair of levers, 4" straight spindle (8mm), two dummy mount plates and mounting hardware.

Multi Point Active Dummy Set – Euro (American) Profile includes two escutcheons, one pair of levers, 4" straight spindle (8mm) and mounting hardware.

Multi Point Patio Set – Euro (American) Profile includes exterior escutcheon, interior escutcheon (for American profile application turnpiece with tailpiece attached to escutcheon), one pair of levers, 4" straight spindle (8mm), Europrofile half cylinder - 31mm and mounting hardware. NOTE: standard spacing between lever hub and the profile cylinder is 92 mm.

Interior Escutcheon Sets – Knob

1-3/4" x 10" Escutcheon Sets

- 8024 Interior Knob Set – Passage
- 8025 Interior Knob Set – Latch x Mortise Bolt
- 8026 Interior Knob Set – Full Dummy
- 8027 Interior Knob Set – Half Dummy

Above sets include 8150 Knob

2-3/8" x 13-3/4" Escutcheon Sets

- 8032 Interior Knob Set – Passage
- 8033 Interior Knob Set – Privacy
- 8035 Interior Knob Set – Latch x Mortise Bolt
- 8037 Interior Knob Set – Full Dummy
- 8038 Interior Knob Set – Half Dummy

Above sets include 8150 Knob

standard finishes

AB|ABB|BB|BZ|KN|PA|PB|PBNL|TN|WB|WZ|
ABN|AN|AP|BN|MB|NC|PC|PN|SN|WA|WC|WN|WP

premium finishes

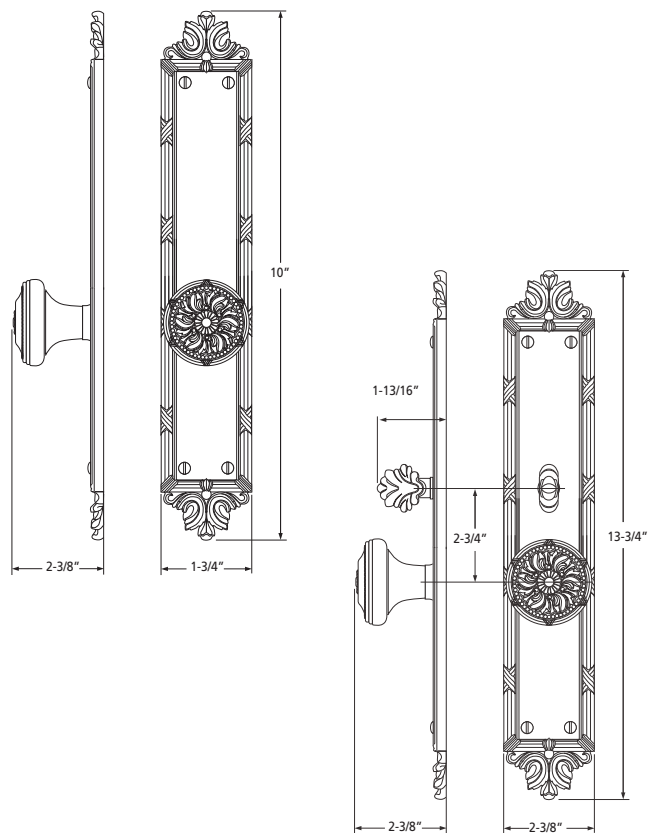
APS|APN|PB-PVD|PS|SS|SCR|PCR|SC
gold plating available upon request

price list

page 14

material

solid brass



ESCUTCHEONS

INTERIOR

HOW TO ORDER

- 1 Specify application.
- 2 Specify finish. If split finish required, please indicate exterior/interior.
- 3 Specify door thickness. Standard thickness is 1-3/4".
- 4 Specify hand of door – RH/LH.
- 5 Specify backset required. Standard is 2-3/8".

REMEMBER...

- 1 Consider utilizing an interior mortise lock for quality installations.
- 2 All knobs & levers are interchangeable.
- 3 FULL LIP strikes are standard. Specify SUB 'T' strike, if required.
- 4 Standard backset is 2-3/8". If required specify 2-3/4".
- 5 Combination strike and faceplate available for latch x mortise bolt function.
- 6 Custom drilling available.

Interior Escutcheon Sets – Lever

1-3/4" x 10" Escutcheon Sets

- 8028 Interior Lever Set – Passage
- 8029 Interior Lever Set – Latch x Mortise Bolt
- 8030 Interior Lever Set – Full Dummy
- 8031 Interior Lever Set – Half Dummy

Above sets include 8157 Lever

2-3/8" x 13-3/4" Escutcheon Sets

- 8042 Interior Lever Set – Passage
- 8043 Interior Lever Set – Privacy
- 8045 Interior Lever Set – Latch x Mortise Bolt
- 8047 Interior Lever Set – Full Dummy
- 8048 Interior Lever Set – Half Dummy

Above sets include 8157 Lever

standard finishes

AB | ABB | BB | BZ | KN | PA | PB | PBNL | TN | WB | WZ |
 ABN | AN | AP | BNI | MB | NC | PC | PN | SN | WA | WC | WN | WP

premium finishes

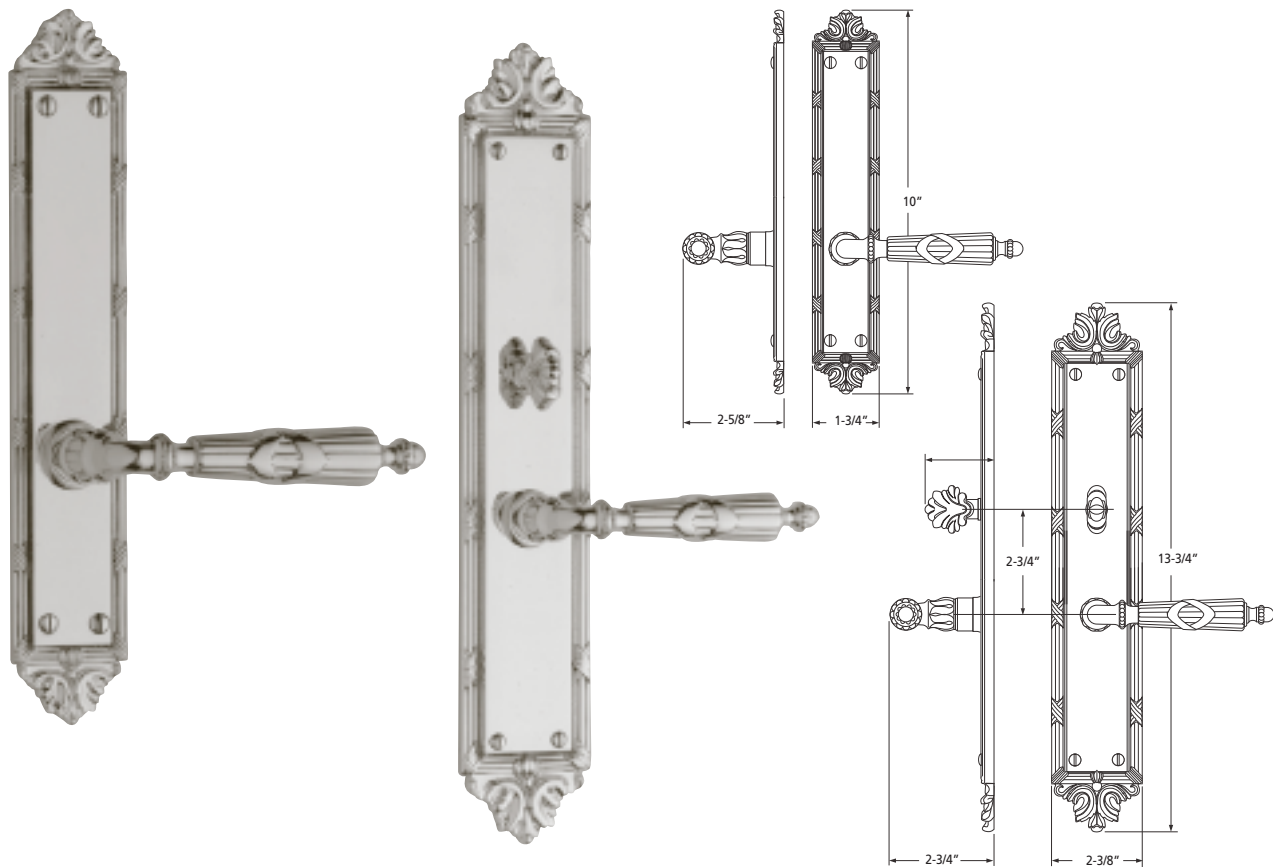
APS | APN | PB-PVD | PS | SS | SCR | PCR | SC
 gold plating available upon request

price list

page 14

material

solid brass



INTERIOR ESCUTCHEONS

SET COMPONENTS

- Interior Escutcheon Knob (Lever) Set – Passage** includes two escutcheons, two knobs (levers), 4" straight spindle (8mm), passage latch (2-3/8" backset), faceplate, full lip strike, dust box and mounting hardware.
- Interior Escutcheon Knob (Lever) Set – Privacy** includes two escutcheons with privacy pin hole, two knobs (levers), one 4" swivel spindle (8mm), privacy latch (2-3/8" backset), privacy pin, faceplate, full lip strike, dust box and mounting hardware.
- Interior Escutcheon Knob (Lever) Set – Passage Latch x Mortise Bolt** includes an exterior escutcheon with emergency egress hole, an interior escutcheon with turnpiece attached, two knobs (levers), 4" straight spindle (8mm), passage latch (2-3/8" backset), latch faceplate, full lip strike, mortise bolt (2-3/8" backset), mortise bolt faceplate, mortise bolt strike, dust box and mounting hardware. NOTE: standard spacing between knob (lever) hub and mortise bolt hub is 2-3/4" c-c.
- Interior Escutcheon Knob (Lever) Set – Full Dummy** includes two escutcheons, two knobs (levers), 4" straight spindle (8mm), two dummy mounting plates and mounting hardware.
- Interior Escutcheon Knob (Lever) Set – Half Dummy** includes an escutcheon, knob (lever), dummy mount spindle and mounting hardware.

Interior Knob Sets – 2¼”

- 8102 Knob and Rosette - Passage Set
- 8107 Knob and Rosette - Privacy Set
- 8114 Knob and Rosette - Full Dummy
- 8118 Knob and Rosette - Half Dummy

- 8124 Knob and Rosette Only - Passage
- 8128 Knob and Rosette Only - Privacy
- 8150 Knob Only
- 8161 Rose Only - Passage

standard finishes

AB	ABB	BB	BZ	KN	PA	PB	PBNL	TN	WB	WZ		
ABN	AN	AP	BN	MB	NC	PC	PN	SN	WA	WC	WN	WP

premium finishes

APS	APN	PB-PVD	PS	SS	SCR	PCR	SC
-----	-----	--------	----	----	-----	-----	----

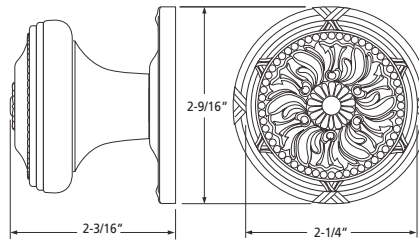
gold plating available upon request

price list

page 14-15

material

solid brass



Interior Knob Sets – 2⅞”

- 8104 Knob and Rosette - Passage Set
- 8109 Knob and Rosette - Privacy Set
- 8116 Knob and Rosette - Full Dummy
- 8120 Knob and Rosette - Half Dummy

- 8126 Knob and Rosette Only - Passage
- 8130 Knob and Rosette Only - Privacy
- 8152 Knob Only
- 8163 Rose Only - Passage

standard finishes

AB	ABB	BB	BZ	KN	PA	PB	PBNL	TN	WB	WZ		
ABN	AN	AP	BN	MB	NC	PC	PN	SN	WA	WC	WN	WP

premium finishes

APS	APN	PB-PVD	PS	SS	SCR	PCR	SC
-----	-----	--------	----	----	-----	-----	----

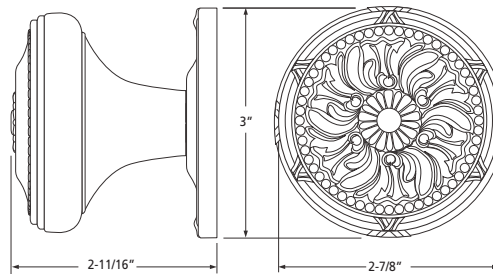
gold plating available upon request

price list

page 14-15

material

solid brass



HOW TO ORDER

- 1 Specify application.
- 2 Specify finish. If split finish required, please indicate exterior/interior.
- 3 Specify door thickness. Standard thickness is 1-3/8”.
- 4 Specify backset. Standard backset is 2-3/8”.
- 5 Specify hand of door – RH/LH – if split finish required.
- 6 Specify if pre-drilled adapters are required. (part #9749)

REMEMBER...

- 1 FULL LIP strikes are standard. Specify SUB ‘T’ strike, if required.
- 2 Consider utilizing an interior mortise lock for quality installations.
- 3 All knobs, levers and roses are interchangeable.
- 4 Standard backset 2-3/8”. If required specify 2-3/4” backset.
- 5 Lever strength latches will be supplied with all large knobs.

Interior Lever Sets

- 8132 Lever and Rosette - Passage Set
- 8134 Lever and Rosette - Privacy Set
- 8136 Lever and Rosette - Full Dummy
- 8138 Lever and Rosette - Half Dummy

- 8141 Lever and Rosette Only - Passage
- 8144 Lever and Rosette Only - Privacy
- 8157 Lever Only
- 8161 Rose Only - Passage

standard finishes

AB | ABB | BB | BZ | KN | PA | PB | PBNL | TN | WB | WZ |
 ABN | AN | AP | BN | MB | NC | PC | PN | SN | WA | WC | WN | WP

premium finishes

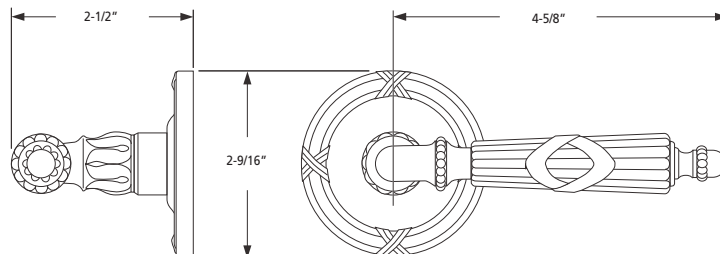
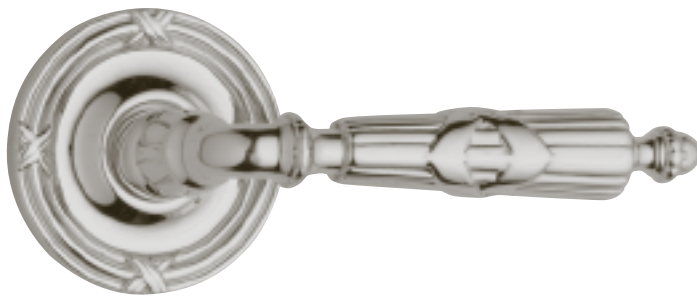
APS | APN | PB-PVD | PS | SS | SCR | PCR | SC
 gold plating available upon request

price list

page 15

material

solid brass



INTERIOR



LEVER SETS

SET COMPONENTS

Knob (Lever) and Rosette – Passage Set includes two rosettes (passage), two knobs (levers), passage latch (2-3/8" backset), full lip strike, latch faceplate, 4" straight spindle (8mm), two rosette mount plates, two rosette mount plate hubs, dust box and mounting hardware.

NOTE: if required, order pre-drilled adapter (part # 9749) separately.

Knob (Lever) and Rosette – Privacy Set includes two rosettes (privacy), two knobs (levers), privacy latch (2-3/8" backset), full lip strike, latch faceplate, 4" swivel spindle (8mm), two rosette mount plates, two rosette mount plate hubs, privacy pin, dust box and mounting hardware.

NOTE: if required, order pre-drilled adapter (part # 9749) separately.

Knob (Lever) and Rosette – Full Dummy includes two rosettes, two knobs (levers), 4" straight spindle (8mm), two dummy rosette mount plates, two rosette mount plate hubs, and mounting hardware.

Knob (Lever) and Rosette – Half Dummy includes rosette, knob (lever), dummy mount spindle, rosette mount plate hub and mounting hardware.

Pulls, Push Plates & Pull Plates

8089 Pull (8" c-c)

8081 Push Plate (1-3/4" x 10")

8082 Push Plate (2-3/8" x 13-3/4")

8083 Push Plate (3" x 20")

8085 Pull Plate (2-3/8" x 13-3/4") (includes 8089 Pull 8" c-c)

8086 Pull Plate (3" x 20") (includes 8089 Pull 8" c-c)

standard finishes

AB | ABB | BB | BZ | KN | PA | PB | PBNL | TN | WB | WZ |
 ABN | AN | AP | BN | MB | NC | PC | PN | SN | WA | WC | WN | WP

premium finishes

APS | APN | PB-PVD | PS | SS | SCR | PCR | SC
 gold plating available upon request

price list

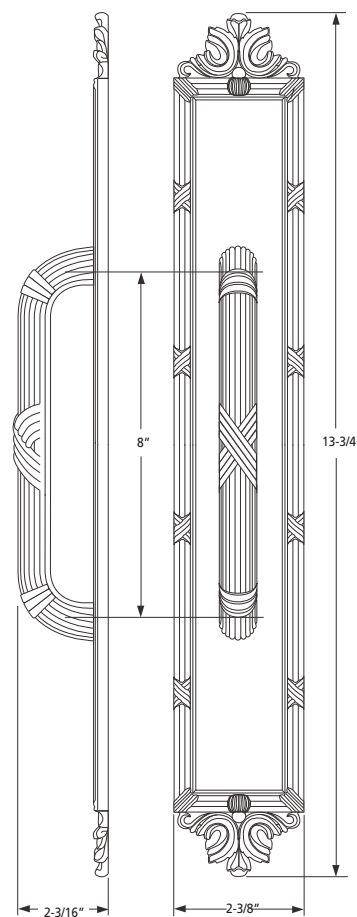
page 15

material

solid brass

PULL PLATES

PULLS, PUSH PLATES



HOW TO ORDER

- 1 Specify application.
- 2 Specify finish.
- 3 Specify door thickness. Standard thickness is 1-3/4".

REMEMBER...

- 1 Back-to-back applications available for pulls and pull plates. Specify part # 9958 for upcharge
- 2 Custom drilling available.

Flush Pulls

- 8092 Flush Pull Only (2-3/8" x 13-3/4")
- 8093 Flush Pull w/turnpiece (2-3/8" x 13-3/4")
- 8094 Flush Pull w/cylinder hole (2-3/8" x 13-3/4")

- 8095 Complete Flush Pull Set - Passage w/9730
- 8096 Complete Flush Pull Set - Passage w/Accurate 2000
- 8097 Complete Flush Pull Set - Privacy w/Accurate 2002

standard finishes

AB | ABB | BB | BZ | KN | PA | PB | PBNL | TN | WB | WZ |
 ABN | AN | AP | BN | MB | NC | PC | PN | SN | WA | WC | WN | WP

premium finishes

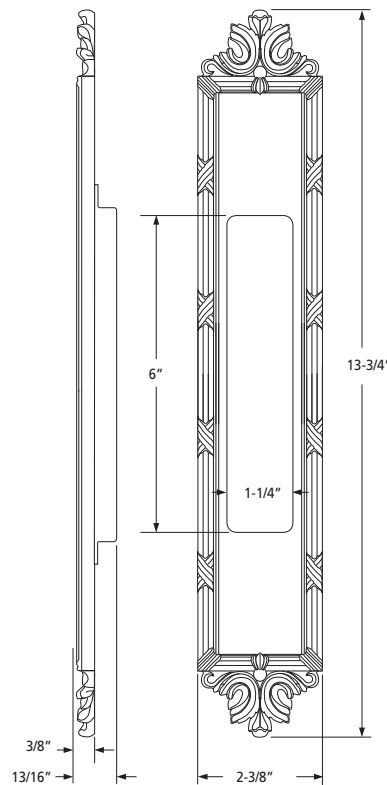
APS | APN | PB-PVD | PS | SS | SCR | PCR | SC
 gold plating available upon request

price list

page 15

material

solid brass



F L U S H
P U L L S



HOW TO ORDER

- 1 Specify application.
- 2 Specify finish.
- 3 Specify door thickness. Standard thickness is 1-3/4".

REMEMBER...

- 1 Verify jamb clearance for escutcheon projection.
- 2 Edge pulls available - Standard or Mortise.
- 3 Flush Pull locks, Edge Pulls and Cylinders must be ordered separately.

Auxiliary Deadbolts

8170 Complete Auxiliary Deadbolt Set
(Key & Turnpiece 2-9/16")

8171 Complete Auxiliary Deadbolt Set
(Key & Key 2-9/16")

standard finishes

AB | ABB | BB | BZ | KN | PA | PB | PBNL | TN | WB | WZ |
ABN | AN | AP | BN | MB | NC | PC | PN | SN | WA | WC | WN | WP

premium finishes

APS | APN | PB-PVD | PS | SS | SCR | PCR | SC
gold plating available upon request

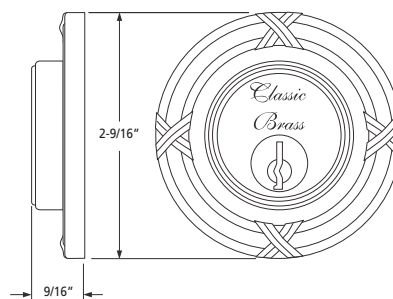
price list

page 16

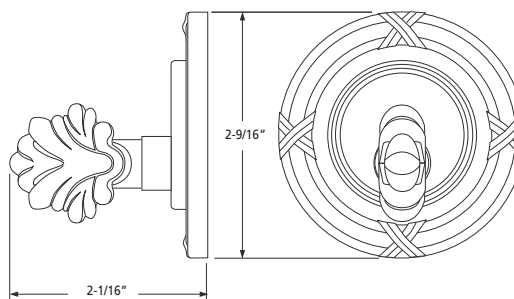
material

solid brass

DEADBOLTS



AUXILIARY



Note: for 2-1/8" bore installation

HOW TO ORDER

- 1 Specify application and collar size.
- 2 Specify finish. If split finish required, specify exterior/interior.
- 3 Specify door thickness. Standard thickness is 1-3/4".
- 4 Specify backset required. Standard is 2-3/8" (adjustable to 2-3/4")

REMEMBER...

- 1 Available for thick doors.
- 2 Should you require key alike, please specify.

Mortise Bolts

- 8175 Complete Mortise Bolt Set
- 8177 Mortise Bolt and Turnpiece w/Plate
- 8179 Turnpiece and Plate

standard finishes

AB | ABB | BB | BZ | KN | PA | PB | PBNL | TN | WB | WZ |
 ABN | AN | AP | BN | MB | NC | PC | PN | SN | WA | WC | WN | WP

premium finishes

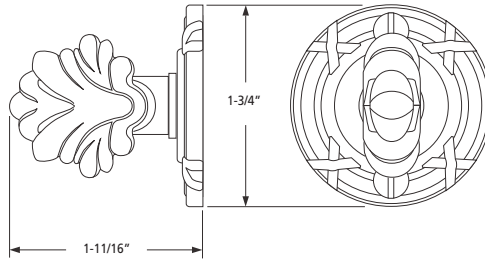
APS | APN | PB-PVD | PS | SS | SCR | PCR | SC
 gold plating available upon request

price list

page 16

material

solid brass



MORTISE



BOLTS

HOW TO ORDER

- 1 Specify application.
- 2 Specify finish. If split finish required, specify exterior/interior.
- 3 Specify door thickness. Standard thickness is 1-3/4".
- 4 Specify backset required. Standard is 2-3/8".

REMEMBER...

- 1 Standard backset is 2-3/8". If required specify 2-3/4".
- 2 Available for thick doors.

Door Knockers, Door Bells

8180 Door Knocker

8183 Doorbell Escutcheon

standard finishes

AB|ABB|BB|BZ|KN|PA|PB|PBNL|TN|WB|WZ|
ABN|AN|AP|BN|MB|NC|PC|PN|SN|WA|WC|WN|WP

premium finishes

APS|APN|PB-PVD|PS|SS|SCR|PCR|SC
gold plating available upon request

price list

page 16

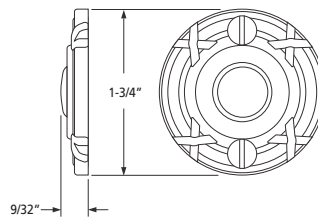
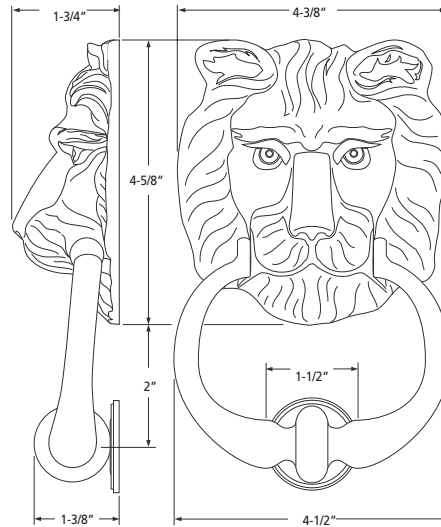
material

solid brass



DOOR BELLS

DOOR KNOCKERS



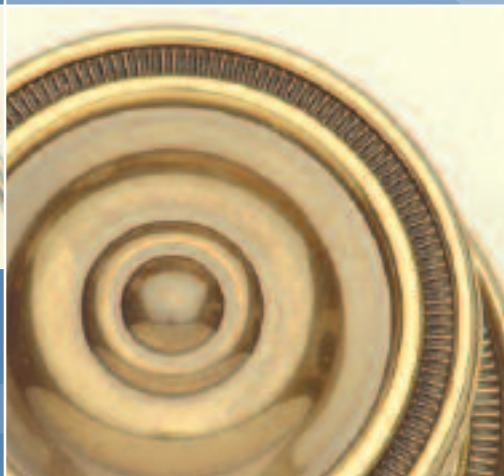
HOW TO ORDER

- 1 Specify application.
- 2 Specify finish. If split finish required, specify exterior/interior.
- 3 Specify door thickness. Standard thickness is 1-3/4".

REMEMBER...

- 1 Available for thick doors.
- 2 Doorbell button NOT included.

savannah



COLLECTION

Entrance Handle Setspage S-1
Entrance Knob Setspage S-2
Entrance Lever Setspage S-3
Multi Point Setspages S-4/5
Interior Escutcheon Sets ...pages S-6/7
Knob Setspage S-8
Lever Setspage S-9
Push Plates/Pullspage S-10
Flush Pullspage S-11
Auxiliary Deadboltspage S-12
Mortise Boltspage S-13
Door Knocker/Door Bellpage S-14



Classic Brass

SAVANNAH
finishes



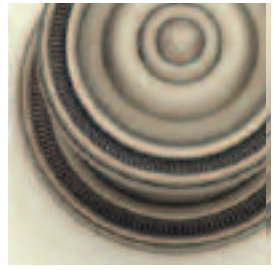
antique brass (AB)



antique burnished brass (ABB)



antique burnished nickel (ABN)



antique nickel (AN)



antique pewter (AP)



burnished brass (BB)



burnished nickel (BN)



oil rubbed bronze (BZ)



kensington (KN)



matte black (MB)



nickel copper (NC)



polished antique (PA)



polished brass (PB)



polished chrome (PC)



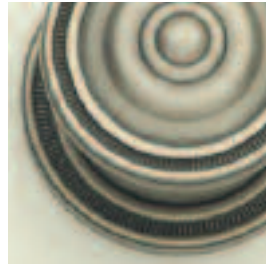
polished nickel (PN)



satin nickel (SN)



tarnished (TN)



weathered antq. nickel (WA)



weathered brass (WB)



weathered copper (WC)



weathered nickel (WN)



weathered pewter (WP)



weathered bronze (WZ)

PB-PVD and custom finishes available.

Entrance Handle Sets

- 8200** Complete Entrance Handle Set
- 8202** Complete Entrance Handle Set – Thumbpiece x Thumbpiece
- 8204** Complete Entrance Handle Set (less lock)
- 8206** Complete Entrance Handle Set – Full Dummy
- 8207** Complete Entrance Handle Set – Thumbpiece x Thumbpiece – Full Dummy

Above sets include 8357 Lever

standard finishes

AB | ABB | BB | BZ | KN | PA | PB | PBNL | TN | WB | WZ |
 ABN | AN | AP | BN | MB | NC | PC | PN | SN | WA | WC | WN | WP

premium finishes

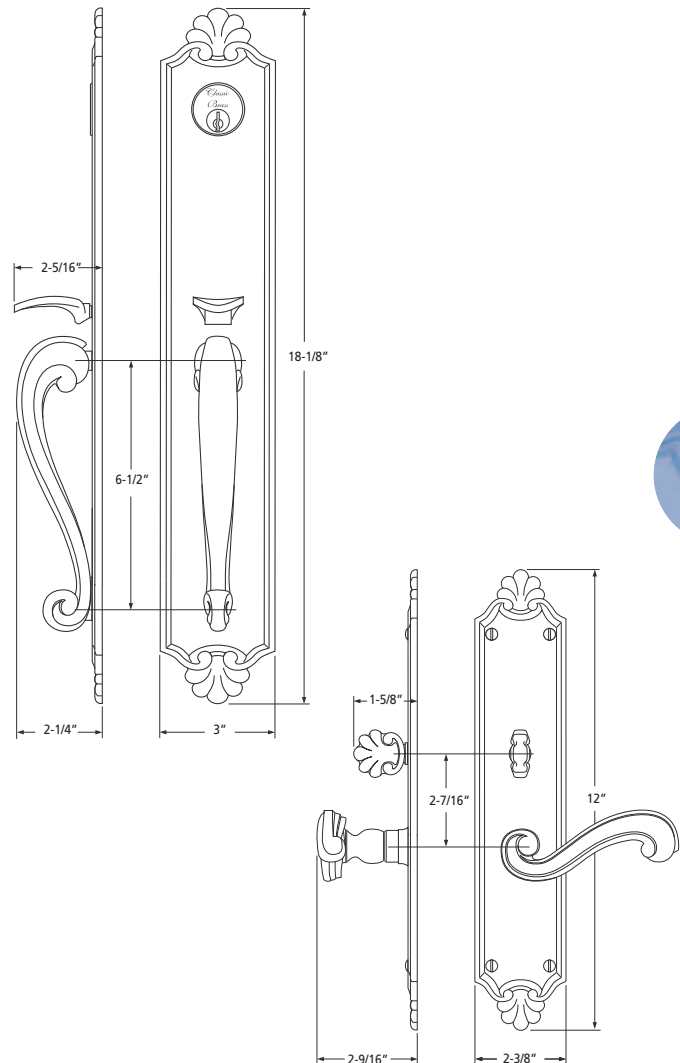
APS | APN | PB-PVD | PS | SS | SCR | PCR | SC
 gold plating available upon request

price list

page 17

material

solid brass



ENTRANCE

HANDLE SETS

HOW TO ORDER

- 1 Specify application.
- 2 Specify finish. If split finish required, please indicate exterior/interior.
- 3 Specify door thickness. Standard thickness is 1-3/4".
- 4 Specify hand of door – RH/LH.
- 5 Specify backset required. Standard is 2-1/2"

REMEMBER...

- 1 Standard mortise lock is 2-1/2" EE. Specify 2-3/4" if required.
- 2 Levers are standard. If knobs are required, specify part number.
- 3 All knobs and levers are interchangeable.
- 4 A door thickness greater than 1-3/4" will require a thick door kit.
- 5 Entrance handle sets are mortise lock ONLY.
- 6 Custom drilling is available.

Entrance Knob Sets

8210 Complete Knob Mortise Entrance Set

8211 Complete Knob Mortise Entrance Set - Full Dummy

8212 Complete Knob Latch x Auxiliary Deadbolt Set (5-1/2" c-c)

8213 Complete Knob Latch x Auxiliary Deadbolt Set - Full Dummy

Above sets include 8350 Knob

standard finishes

AB | ABB | BB | BZ | KN | PA | PB | PBNL | TN | WB | WZ |
 ABN | AN | AP | BN | MB | NC | PC | PN | SN | WA | WC | WN | WP

premium finishes

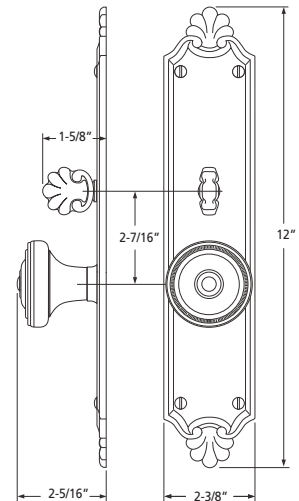
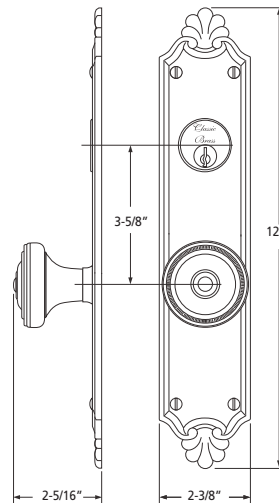
APS | APN | PB-PVD | PS | SS | SCR | PCR | SC
 gold plating available upon request

price list

page 17

material

solid brass



HOW TO ORDER

- 1 Specify application – mortise, latch x auxiliary deadbolt or full dummy.
- 2 Specify finish. If split finish required, please indicate exterior/interior.
- 3 Specify door thickness. Standard thickness is 1-3/4".
- 4 Specify hand of door – RH/LH.
- 5 Specify backset – standard for mortise lock is 2-1/2"
 – standard for auxiliary deadbolt is 2-3/8"

REMEMBER...

- 1 Standard mortise lock is 2-1/2" EE. Specify 2-3/4" if required.
- 2 Standard latch x auxiliary deadbolt – 5-1/2" c-c spacing and 2-3/8" backset. If required, specify 2-3/4" backset.
- 3 All knobs and levers are interchangeable.
- 4 A door thickness greater than 1-3/4" will require a thick door kit.
- 5 Custom drilling available.

KNOB SETS

ENTRANCE

Entrance Lever Sets

- 8220 Complete Lever Mortise Entrance Set
- 8221 Complete Lever Mortise Entrance Set - Full Dummy
- 8222 Complete Lever Latch x Auxiliary Deadbolt Set (5-1/2" c-c)
- 8223 Complete Lever Latch x Auxiliary Deadbolt Set - Full Dummy

Above sets include 8357 Lever

standard finishes

AB | ABB | BB | BZ | KN | PA | PB | PBNL | TN | WB | WZ |
 ABN | AN | AP | BN | MB | NC | PC | PN | SN | WA | WC | WN | WP

premium finishes

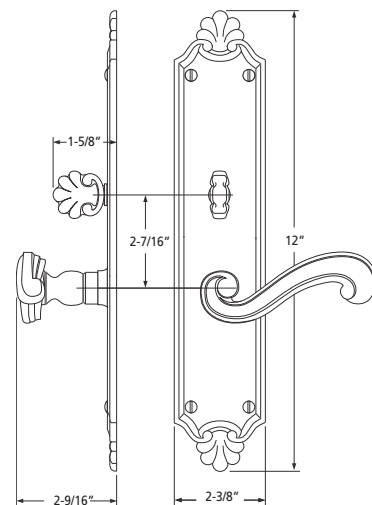
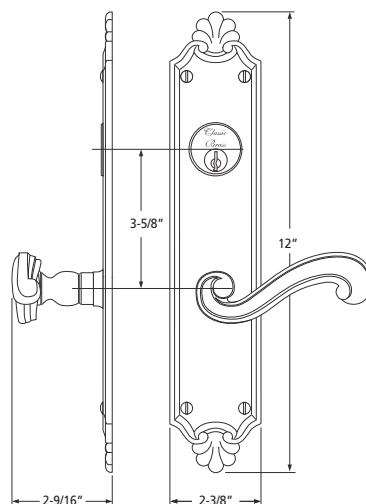
APS | APN | PB-PVD | PS | SS | SCR | PCR | SC
 gold plating available upon request

price list

page 17

material

solid brass



ENTRANCE

LEVER SETS

SET COMPONENTS

Complete Entrance Knob (Lever) Set – Mortise Lock includes exterior plate, interior plate with turnpiece, two knobs (levers), 4" swivel spindle (8mm), single cylinder mortise lock (2-1/2" backset) w/EE function, faceplate, strike, dust box, mortise cylinder and mounting hardware.

Complete Entrance Knob (Lever) Set – Latch x Auxiliary Deadbolt includes exterior plate, interior plate, two knobs (levers), passage latch (2-3/8"), 4" straight spindle (8mm), auxiliary deadbolt (2-3/8"), rim cylinder, turnpiece, latch faceplate, deadbolt faceplate, full lip strike, deadbolt strike, dust boxes and mounting hardware. NOTE: our standard spacing between knob (lever) hub and auxiliary deadbolt is 5-1/2" c-c

Complete Entrance Knob (Lever) Set – Full Dummy includes exterior plate, interior plate, two knobs (levers), 4" straight spindle (8mm) and mounting hardware.

Multi Point Sets – American Profile

1-3/4" x 12" Multi Point Sets

- 8264 Multi Point Complete Set
- 8265 Multi Point Full Dummy Set
- 8266 Multi Point Active Dummy Set
- 8267 Multi Point Patio Set

Above sets include 8357 Lever

2-3/8" x 12" Multi Point Sets

- 8270 Multi Point Complete Set
- 8271 Multi Point Full Dummy Set
- 8272 Multi Point Active Dummy Set
- 8273 Multi Point Patio Set

Above sets include 8357 Lever

standard finishes

AB	ABB	BB	BZ	KN	PA	PB	PBNL	TN	WB	WZ			
ABN	AN	AP	BN	MB	NC	PC	PN	SN	WA	WC	WN	WP	

premium finishes

APS	APN	PB-PVD	PS	SS	SCR	PCR	SC					
-----	-----	--------	----	----	-----	-----	----	--	--	--	--	--

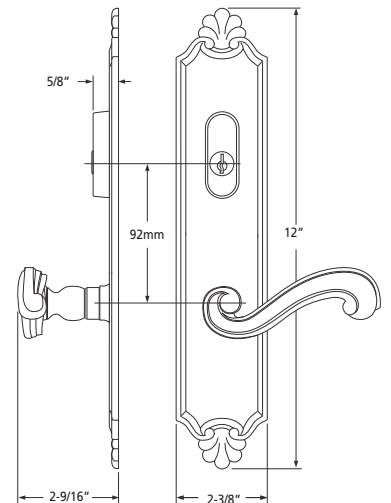
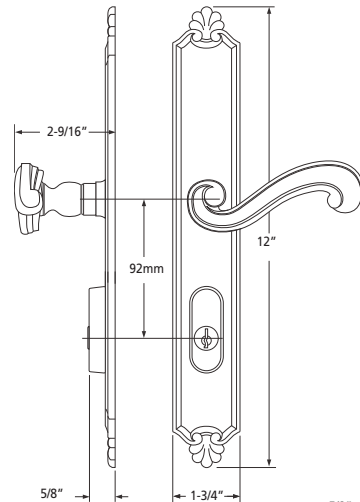
gold plating available upon request

price list

page 17

material

solid brass



AMERICAN

MULTI POINT

HOW TO ORDER

- 1 Specify application.
- 2 Specify finish. If split finish required, please indicate exterior/interior.
- 3 Specify door thickness. Standard thickness is 1-3/4".
- 4 Specify hand of door – RH/LH.
- 5 See Multi Point Check Sheet (form 500) for additional information.
- 6 Specify fixed or active exterior lever when ordering active dummy set.

REMEMBER...

- 1 Standard euro profile applications: lever high – 92mm spacing.
- 2 Standard american cylinder applications: lever high – 92mm spacing.
- 3 Specify lever low or custom c-c spacing required.
- 4 All levers are interchangeable.
- 5 Door thickness greater than 1-3/4" will require longer euro cylinders.
- 6 Cylinders INCLUDED w/all applications (collection turnpiece attached).
- 7 Strike not included.
- 8 Euro offset cylinders available upon request - contact us.

Multi Point Sets – Euro Profile

1-3/4" x 12" Multi Point Sets

- 8250 Multi Point Complete Set
- 8251 Multi Point Full Dummy Set
- 8252 Multi Point Active Dummy Set
- 8253 Multi Point Patio Set

Above sets include 8357 Lever

standard finishes

AB	ABB	BB	BZ	KN	PA	PB	PBNL	TN	WB	WZ									
ABN	AN	AP	BN	MB	NC	PC	PN	SN	WA	WC	WN	WP							

2-3/8" x 12" Multi Point Sets

- 8256 Multi Point Complete Set
- 8257 Multi Point Full Dummy Set
- 8258 Multi Point Active Dummy Set
- 8259 Multi Point Patio Set

Above sets include 8357 Lever

premium finishes

APS	APN	PB-PVD	PS	SS	SCR	PCR	SC												
-----	-----	--------	----	----	-----	-----	----	--	--	--	--	--	--	--	--	--	--	--	--

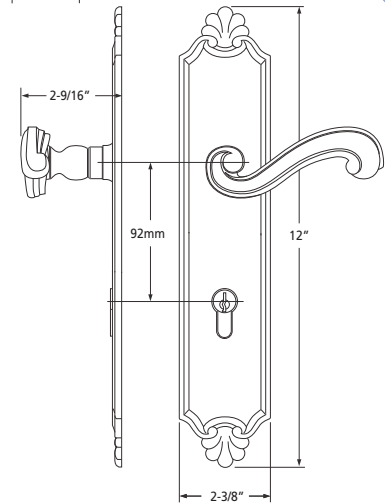
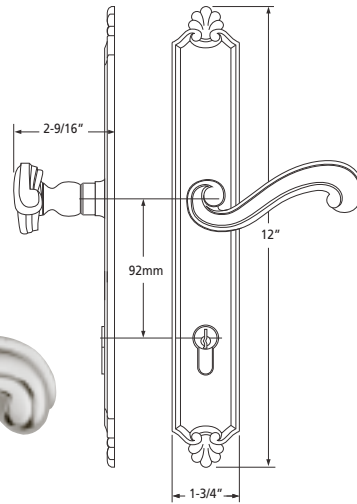
gold plating available upon request

price list

page 17

material

solid brass



MULTI POINT

EUROPEAN



SET COMPONENTS

Multi Point Complete Set – Euro (American) Profile includes two escutcheons, one pair of levers, 4" straight spindle, europrofile cylinder - 62mm - hxtp (american profile cylinder) and mounting hardware. NOTE: standard spacing between lever hub and the profile cylinder is 92mm.

Multi Point Full Dummy Set – Euro (American) Profile includes two escutcheons, one pair of levers, 4" straight spindle (8mm), two dummy mount plates and mounting hardware.

Multi Point Active Dummy Set – Euro (American) Profile includes two escutcheons, one pair of levers, 4" straight spindle (8mm) and mounting hardware.

Multi Point Patio Set – Euro (American) Profile includes exterior escutcheon, interior escutcheon (for American profile application turnpiece with tailpiece attached to escutcheon), one pair of levers, 4" straight spindle (8mm), Europrofile half cylinder - 31mm and mounting hardware. NOTE: standard spacing between lever hub and the profile cylinder is 92 mm.

Interior Escutcheon Sets – Knob

1-3/4" x 12" Escutcheon Sets

- 8224** Interior Knob Set – Passage
- 8225** Interior Knob Set – Latch x Mortise Bolt
- 8226** Interior Knob Set – Full Dummy
- 8227** Interior Knob Set – Half Dummy

Above sets include 8350 Knob

2-3/8" x 12" Escutcheon Sets

- 8232** Interior Knob Set – Passage
- 8233** Interior Knob Set – Privacy
- 8235** Interior Knob Set – Latch x Mortise Bolt
- 8237** Interior Knob Set – Full Dummy
- 8238** Interior Knob Set – Half Dummy

Above sets include 8350 Knob

standard finishes

AB	ABB	BB	BZ	KN	PA	PB	PBNL	TN	WB	WZ				
ABN	AN	AP	BN	MB	NC	PC	PN	SN	WA	WC	WN	WP		

premium finishes

APS	APN	PB	PVD	PS	SS	SCR	PCR	SC						
-----	-----	----	-----	----	----	-----	-----	----	--	--	--	--	--	--

price list

page 18

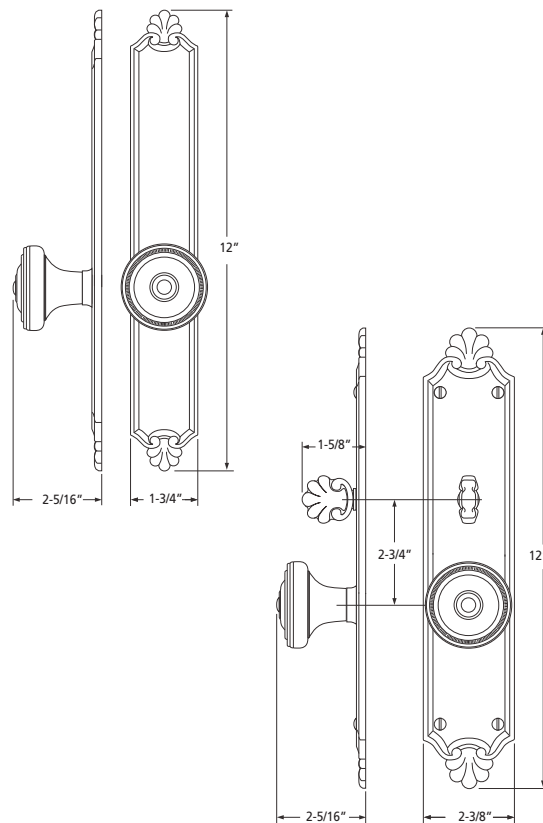
material

solid brass

gold plating available upon request

ESCUTCHEONS

INTERIOR



HOW TO ORDER

- 1 Specify application.
- 2 Specify finish. If split finish required, please indicate exterior/interior.
- 3 Specify door thickness. Standard thickness is 1-3/4".
- 4 Specify hand of door – RH/LH.
- 5 Specify backset required. Standard is 2-3/8".

REMEMBER...

- 1 Consider utilizing an interior mortise lock for quality installations.
- 2 All knobs & levers are interchangeable.
- 3 FULL LIP strikes are standard. Specify SUB 'T' strike, if required.
- 4 Standard backset is 2-3/8". If required specify 2-3/4".
- 5 Combination strike and faceplate available for latch x mortise bolt function.
- 6 Custom drilling available.

Interior Escutcheon Sets – Lever

1-3/4" x 12" Escutcheon Sets

- 8228 Interior Lever Set – Passage
- 8229 Interior Lever Set – Latch x Mortise Bolt
- 8230 Interior Lever Set – Full Dummy
- 8231 Interior Lever Set – Half Dummy

Above sets include 8357 Lever

2-3/8" x 12" Escutcheon Sets

- 8242 Interior Lever Set – Passage
- 8243 Interior Lever Set – Privacy
- 8245 Interior Lever Set – Latch x Mortise Bolt
- 8247 Interior Lever Set – Full Dummy
- 8248 Interior Lever Set – Half Dummy

Above sets include 8357 Lever

standard finishes

AB | ABB | BB | BZ | KN | PA | PB | PBNL | TN | WB | WZ |
 ABN | AN | AP | BN | MB | NC | PC | PN | SN | WA | WC | WN | WP

premium finishes

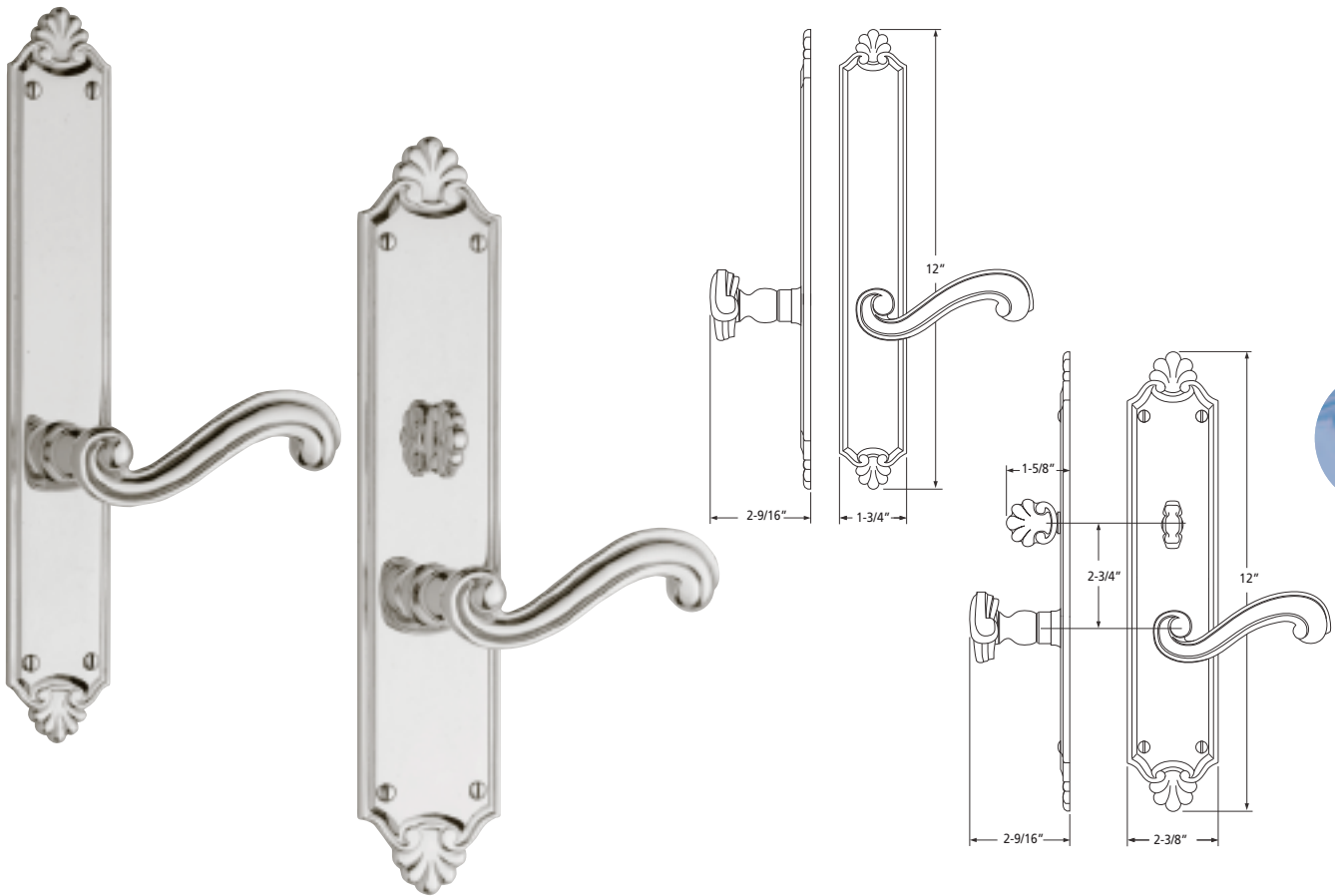
APS | APN | PB-PVD | PS | SS | SCR | PCR | SC
 gold plating available upon request

price list

page 18

material

solid brass



INTERIOR ESCUTCHEONS

SET COMPONENTS

Interior Escutcheon Knob (Lever) Set – Passage includes two escutcheons, two knobs (levers), 4" straight spindle (8mm), passage latch (2-3/8" backset), faceplate, full lip strike, dust box and mounting hardware.

Interior Escutcheon Knob (Lever) Set – Privacy includes two escutcheons with privacy pin hole, two knobs (levers), one 4" swivel spindle (8mm), privacy latch (2-3/8" backset), privacy pin, faceplate, full lip strike, dust box and mounting hardware.

Interior Escutcheon Knob (Lever) Set – Passage Latch x Mortise Bolt includes an exterior escutcheon with emergency egress hole, an interior escutcheon with turnpiece attached, two knobs (levers), 4" straight spindle (8mm), passage latch (2-3/8" backset), latch faceplate, full lip strike, mortise bolt (2-3/8" backset), mortise bolt faceplate, mortise bolt strike, dust box and mounting hardware. *NOTE: standard spacing between knob (lever) hub and mortise bolt hub is 2-3/4" c-c.*

Interior Escutcheon Knob (Lever) Set – Full Dummy includes two escutcheons, two knobs (levers), 4" straight spindle (8mm), two dummy mounting plates and mounting hardware.

Interior Escutcheon Knob (Lever) Set – Half Dummy includes an escutcheon, knob (lever), dummy mount spindle and mounting hardware.

Interior Knob Sets – 2¼”

- 8302** Knob and Rosette - Passage Set
- 8307** Knob and Rosette - Privacy Set
- 8314** Knob and Rosette - Full Dummy
- 8318** Knob and Rosette - Half Dummy

- 8324** Knob and Rosette Only - Passage
- 8328** Knob and Rosette Only - Privacy
- 8350** Knob Only
- 8361** Rose Only - Passage

standard finishes

AB | ABB | BB | BZ | KN | PA | PB | PBNL | TN | WB | WZ |
 ABN | AN | AP | BN | MB | NC | PC | PN | SN | WA | WC | WN | WP

premium finishes

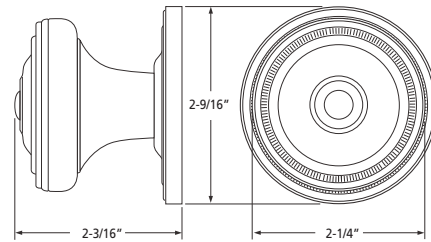
APS | APN | PB-PVD | PS | SS | SCR | PCR | SC
 gold plating available upon request

price list

page 18-19

material

solid brass



Interior Knob Sets – 2⅞”

- 8304** Knob and Rosette - Passage Set
- 8309** Knob and Rosette - Privacy Set
- 8316** Knob and Rosette - Full Dummy
- 8320** Knob and Rosette - Half Dummy

- 8326** Knob and Rosette Only – Passage
- 8330** Knob and Rosette Only – Privacy
- 8352** Knob Only
- 8363** Rose Only - Passage

standard finishes

AB | ABB | BB | BZ | KN | PA | PB | PBNL | TN | WB | WZ |
 ABN | AN | AP | BN | MB | NC | PC | PN | SN | WA | WC | WN | WP

premium finishes

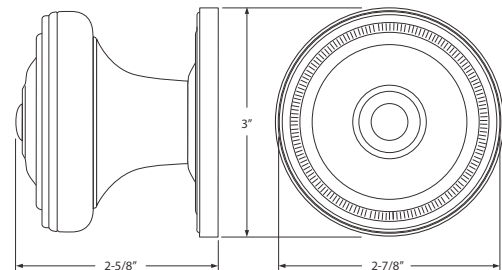
APS | APN | PB-PVD | PS | SS | SCR | PCR | SC
 gold plating available upon request

price list

page 18-19

material

solid brass



HOW TO ORDER

- 1 Specify application.
- 2 Specify finish. If split finish required, please indicate exterior/interior.
- 3 Specify door thickness. Standard thickness is 1-3/8”.
- 4 Specify backset. Standard backset is 2-3/8”.
- 5 Specify hand of door – RH/LH – if split finish required.
- 6 Specify if pre-drilled adapters are required. (part #9749)

REMEMBER...

- 1 FULL LIP strikes are standard. Specify SUB 'T' strike, if required.
- 2 Consider utilizing an interior mortise lock for quality installations.
- 3 All knobs, levers and roses are interchangeable.
- 4 Standard backset 2-3/8”. If required specify 2-3/4” backset.
- 5 Lever strength latches will be supplied with all large knobs.

Interior Lever Sets

- 8332 Lever and Rosette - Passage Set
- 8334 Lever and Rosette - Privacy Set
- 8336 Lever and Rosette - Full Dummy
- 8338 Lever and Rosette - Half Dummy

- 8341 Lever and Rosette Only - Passage
- 8344 Lever and Rosette Only - Privacy
- 8357 Lever Only
- 8361 Rose Only - Passage

standard finishes

AB|ABB|BB|BZ|KN|PA|PB|PBNL|TN|WB|WZ|
 ABN|AN|AP|BN|MB|NC|PC|PN|SN|WA|WC|WN|WP

premium finishes

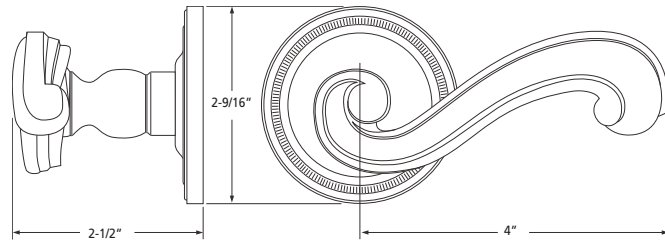
APS|APN|PB-PVD|PS|SS|SCR|PCR|SC
 gold plating available upon request

price list

page 19

material

solid brass



INTERIOR

LEVER SETS

SET COMPONENTS

Knob (Lever) and Rosette – Passage Set includes two rosettes (passage), two knobs (levers), passage latch (2-3/8" backset), full lip strike, latch faceplate, 4" straight spindle (8mm), two rosette mount plates, two rosette mount plate hubs, dust box and mounting hardware.

NOTE: if required, order pre-drilled adapter (part # 9749) separately.

Knob (Lever) and Rosette – Privacy Set includes two rosettes (privacy), two knobs (levers), privacy latch (2-3/8" backset), full lip strike, latch faceplate, 4" swivel spindle (8mm), two rosette mount plates, two rosette mount plate hubs, privacy pin, dust box and mounting hardware. **NOTE:** if required, order pre-drilled adapter (part # 9749) separately.

Knob (Lever) and Rosette – Full Dummy includes two rosettes, two knobs (levers), 4" straight spindle (8mm), two dummy rosette mount plates, two rosette mount plate hubs, and mounting hardware.

Knob (Lever) and Rosette – Half Dummy includes rosette, knob (lever), dummy mount spindle, rosette mount plate hub and mounting hardware.

Pulls, Push Plates & Pull Plates

8289 Pull (6-1/2" c-c)

8281 Push Plate (1-3/4" x 12")

8282 Push Plate (2-3/8" x 12")

8283 Push Plate (3" x 18-1/8")

8285 Pull Plate (2-3/8" x 12") (includes 8289 Pull 6-1/2" c-c)

8286 Pull Plate (3" x 18-1/8") (includes 8289 Pull 6-1/2" c-c)

standard finishes

AB|ABB|BB|BZ|KN|PA|PB|PBNL|TN|WB|WZ|
ABN|AN|AP|BN|MB|NC|PC|PN|SN|WA|WC|WN|WP

premium finishes

APS|APN|PB-PVD|PS|SS|SCR|PCR|SC
gold plating available upon request

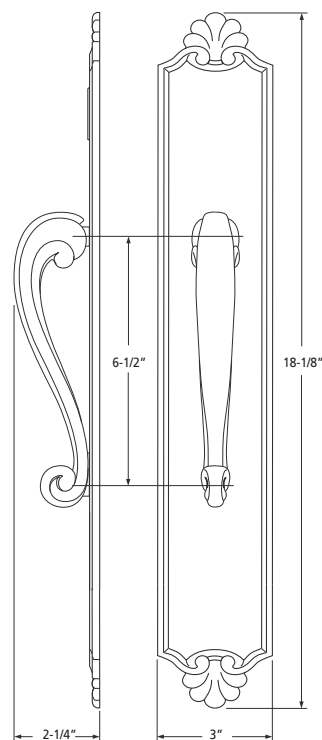
price list

page 19

material

solid brass

PULL PLATES



PULLS, PUSH PLATES

HOW TO ORDER

- 1 Specify application.
- 2 Specify finish.
- 3 Specify door thickness. Standard thickness is 1-3/4".

REMEMBER...

- 1 Back-to-back applications available for pulls and pull plates. Specify part # 9958 for upcharge
- 2 Custom drilling available.

Flush Pulls

- 8292** Flush Pull Only (2-3/8" x 12")
- 8293** Flush Pull w/turnpiece (2-3/8" x 12")
- 8294** Flush Pull w/cylinder hole (2-3/8" x 12")

- 8295** Complete Flush Pull Set - Passage w/9730
- 8296** Complete Flush Pull Set - Passage w/Accurate 2000
- 8297** Complete Flush Pull Set - Privacy w/Accurate 2002

standard finishes

AB | ABB | BB | BZ | KN | PA | PB | PBNL | TN | WB | WZ |
 ABN | AN | AP | BN | MB | NC | PC | PN | SN | WA | WC | WN | WP

premium finishes

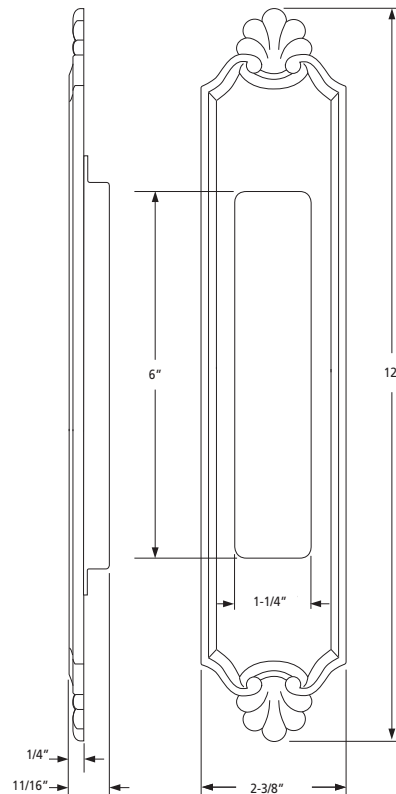
APS | APN | PB-PVD | PS | SS | SCR | PCR | SC
 gold plating available upon request

price list

page 19

material

solid brass



F L U S H

P U L L S



HOW TO ORDER

- 1 Specify application.
- 2 Specify finish.
- 3 Specify door thickness. Standard thickness is 1-3/4".

REMEMBER...

- 1 Verify jamb clearance for escutcheon projection.
- 2 Edge pulls available - Standard or Mortise.
- 3 Flush Pull locks, Edge Pulls, and Cylinders must be ordered separately.

Auxiliary Deadbolts

8370 Complete Auxiliary Deadbolt Set
(Key & Turnpiece 2-9/16")

8371 Complete Auxiliary Deadbolt Set
(Key & Key 2-9/16")

standard finishes

AB | ABB | BB | BZ | KN | PA | PB | PBNL | TN | WB | WZ |
ABN | AN | AP | BN | MB | NC | PC | PN | SN | WA | WC | WN | WP

premium finishes

APS | APN | PB-PVD | PS | SS | SCR | PCR | SC
gold plating available upon request

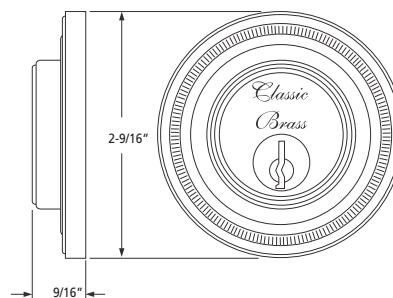
price list

page 20

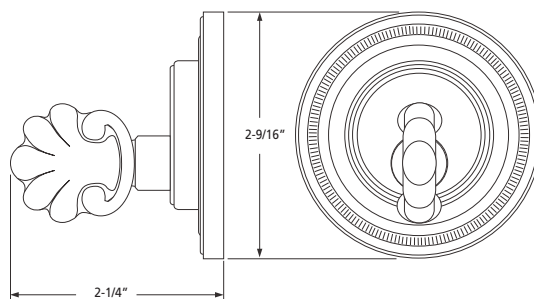
material

solid brass

DEADBOLTS



AUXILIARY



Note: for 2-1/8" bore installation

HOW TO ORDER

- 1 Specify application and collar size.
- 2 Specify finish. If split finish required, specify exterior/interior.
- 3 Specify door thickness. Standard thickness is 1-3/4".
- 4 Specify backset required. Standard is 2-3/8" (adjustable to 2-3/4")

REMEMBER...

- 1 Available for thick doors.
- 2 Should you require key alike, please specify.

Mortise Bolts

- 8375 Complete Mortise Bolt Set
- 8377 Mortise Bolt and Turnpiece w/Plate
- 8379 Turnpiece and Plate

standard finishes

AB | ABB | BB | BZ | KN | PA | PB | PBNL | TN | WB | WZ |
 ABN | AN | AP | BN | MB | NC | PC | PN | SN | WA | WC | WN | WP

premium finishes

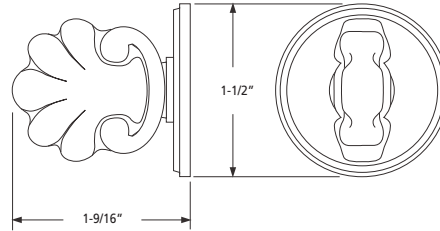
APS | APN | PB-PVD | PS | SS | SCR | PCR | SC
 gold plating available upon request

price list

page 20

material

solid brass



MORTISE



BOLTS

HOW TO ORDER

- 1 Specify application.
- 2 Specify finish. If split finish required, specify exterior/interior.
- 3 Specify door thickness. Standard thickness is 1-3/4\".
- 4 Specify backset required. Standard is 2-3/8\".

REMEMBER...

- 1 Standard backset is 2-3/8\". If required specify 2-3/4\".
- 2 Available for thick doors.

Door Knockers, Door Bells

8380 Door Knocker

8383 Doorbell Escutcheon

standard finishes

AB	ABB	BB	BZ	KN	PA	PB	PBNL	TN	WB	WZ				
ABN	AN	AP	BN	MB	NC	PC	PN	SN	WA	WC	WN	WP		

premium finishes

APS	APN	PB-PVD	PS	SS	SCR	PCR	SC
-----	-----	--------	----	----	-----	-----	----

gold plating available upon request

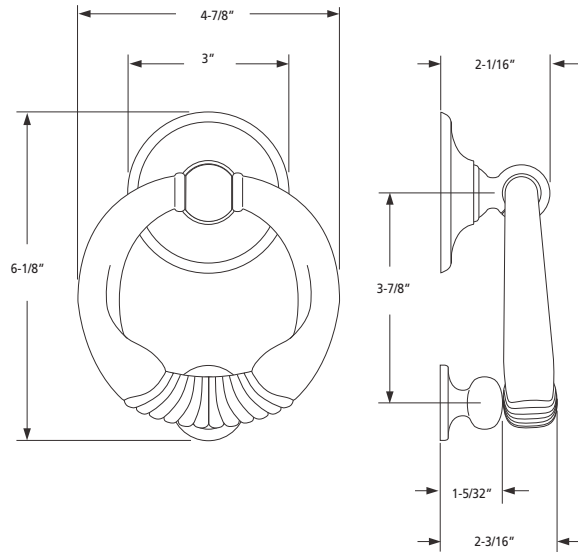
price list

page 20

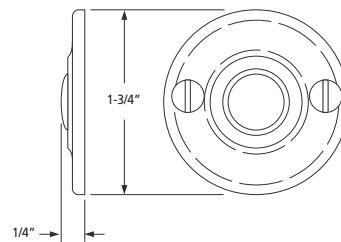
material

solid brass

DOOR BELLS



DOOR KNOCKERS



HOW TO ORDER

- 1 Specify application.
- 2 Specify finish. If split finish required, specify exterior/interior.
- 3 Specify door thickness. Standard thickness is 1-3/4".

REMEMBER...

- 1 Available for thick doors.
- 2 Doorbell button NOT included.

hyde park

COLLECTION

Entrance Handle Sets	page HP-1
Entrance Knob Sets	page HP-2
Entrance Lever Sets	page HP-3
Multi Point Sets	pages HP-4/5
Interior Escutcheon Sets ..	pages HP-6/7
Knob Sets	page HP-8
Lever Sets	page HP-9
Push Plates/Pulls	page HP-10
Flush Pulls	page HP-11
Auxiliary Deadbolts	page HP-12
Mortise Bolts	page HP-13
Door Knocker/Door Bell	page HP-14



Classic Brass

HYDE PARK *finishes*



antique brass (AB)



antique burnished brass (ABB)



antique burnished nickel (ABN)



antique nickel (AN)



antique pewter (AP)



burnished brass (BB)



burnished nickel (BN)



oil rubbed bronze (BZ)



kensington (KN)



matte black (MB)



nickel copper (NC)



polished antique (PA)



polished brass (PB)



polished chrome (PC)



polished nickel (PN)



satin nickel (SN)



tarnished (TN)



weathered antq. nickel (WA)



weathered brass (WB)



weathered copper (WC)



weathered nickel (WN)



weathered pewter (WP)



weathered bronze (WZ)

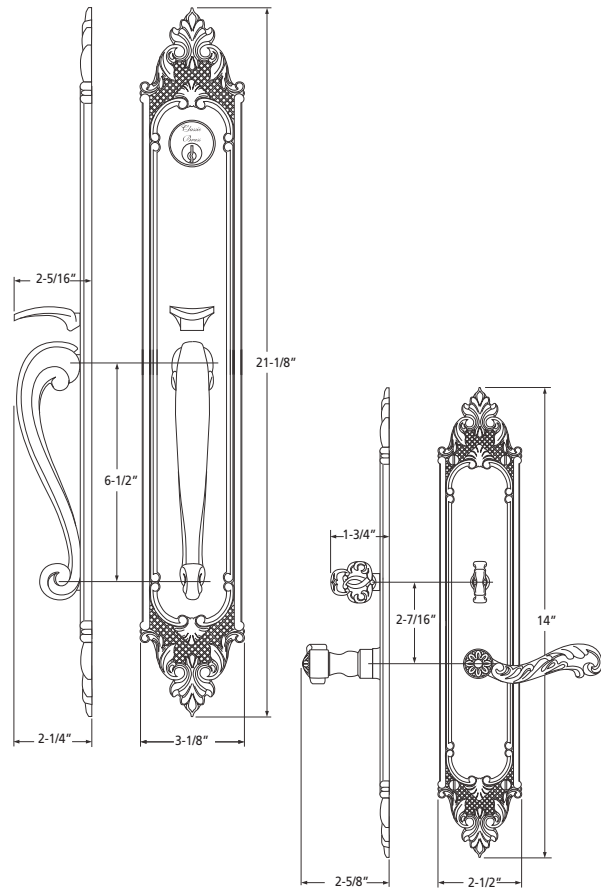
PB-PVD and custom finishes available.

Entrance Handle Sets

- 8400 Complete Entrance Handle Set
- 8402 Complete Entrance Handle Set – Thumbpiece x Thumbpiece
- 8404 Complete Entrance Handle Set (less lock)
- 8406 Complete Entrance Handle Set – Full Dummy
- 8407 Complete Entrance Handle Set – Thumbpiece x Thumbpiece – Full Dummy

Above sets include 8557 Lever

standard finishes										premium finishes					price list	material						
AB	ABB	BB	BZ	KN	PA	PB	PBNL	TN	WB	WZ	APS	APN	PB-PVD	PS	SS	SCR	PCR	SC	page 21	solid brass		
ABN	AN	AP	BN	MB	NC	PC	PN	SN	WA	WC	WN	WP	gold plating available upon request									



ENTRANCE

HANDLE SETS



HOW TO ORDER

- 1 Specify application.
- 2 Specify finish. If split finish required, please indicate exterior/interior.
- 3 Specify door thickness. Standard thickness is 1-3/4".
- 4 Specify hand of door – RH/LH.
- 5 Specify backset required. Standard is 2-1/2"

REMEMBER...

- 1 Standard mortise lock is 2-1/2" EE. Specify 2-3/4" if required.
- 2 Levers are standard. If knobs are required, specify part number.
- 3 All knobs and levers are interchangeable.
- 4 A door thickness greater than 1-3/4" will require a thick door kit.
- 5 Entrance handlesets are mortise lock ONLY.
- 6 Custom drilling is available.

Entrance Knob Sets

8410 Complete Knob Mortise Entrance Set

8411 Complete Knob Mortise Entrance Set - Full Dummy

8412 Complete Knob Latch x Auxiliary Deadbolt Set (5-1/2" c-c)

8413 Complete Knob Latch x Auxiliary Deadbolt Set - Full Dummy

Above sets include 8550 Knob

standard finishes

AB | ABB | BB | BZ | KN | PA | PB | PBNL | TN | WB | WZ |
 ABN | AN | AP | BN | MB | NC | PC | PN | SN | WA | WC | WN | WP

premium finishes

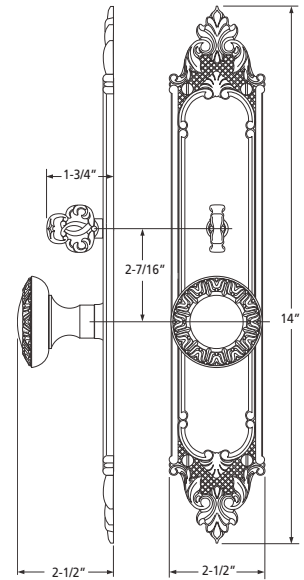
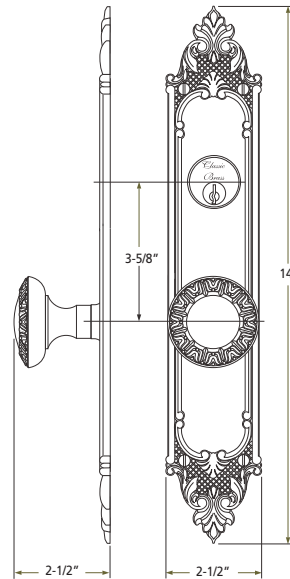
APS | APN | PB-PVD | PS | SS | SCR | PCR | SC
 gold plating available upon request

price list

page 21

material

solid brass



KNOB SETS

ENTRANCE

HOW TO ORDER

- 1 Specify application – mortise, latch x auxiliary deadbolt or full dummy.
- 2 Specify finish. If split finish required, please indicate exterior/interior.
- 3 Specify door thickness. Standard thickness is 1-3/4".
- 4 Specify hand of door – RH/LH.
- 5 Specify backset – standard for mortise lock is 2-1/2"
 – standard for auxiliary deadbolt is 2-3/8"

REMEMBER...

- 1 Standard mortise lock is 2-1/2" EE. Specify 2-3/4" if required.
- 2 Standard latch x auxiliary deadbolt – 5-1/2" c-c spacing and 2-3/8" backset. If required, specify 2-3/4" backset.
- 3 All knobs and levers are interchangeable.
- 4 A door thickness greater than 1-3/4" will require a thick door kit.
- 5 Custom drilling available.

Entrance Lever Sets

- 8420 Complete Lever Mortise Entrance Set
- 8421 Complete Lever Mortise Entrance Set - Full Dummy
- 8422 Complete Lever Latch x Auxiliary Deadbolt Set (5-1/2" c-c)
- 8423 Complete Lever Latch x Auxiliary Deadbolt Set - Full Dummy

Above sets include 8557 Lever

standard finishes

AB | ABB | BB | BZ | KN | PA | PB | PBNL | TN | WB | WZ |
 ABN | AN | AP | BN | MB | NC | PC | PN | SN | WA | WC | WN | WP

premium finishes

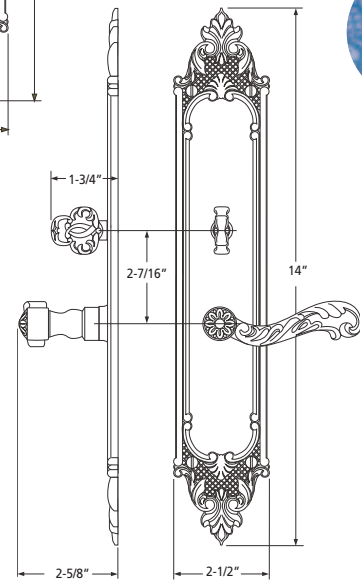
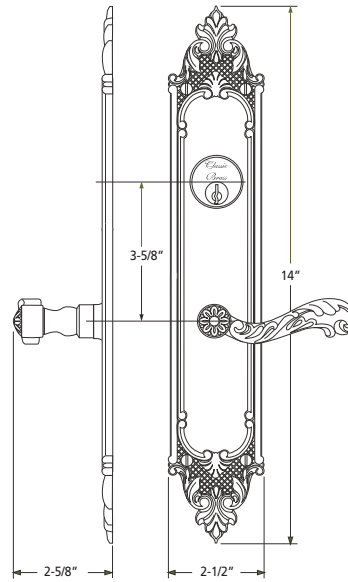
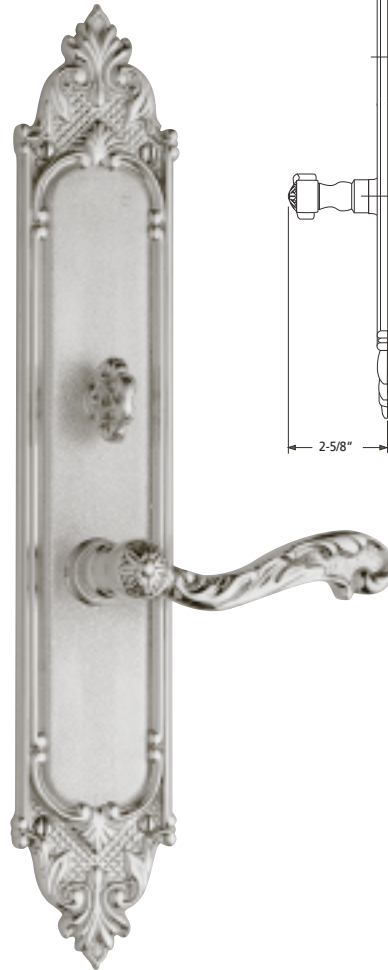
APS | APN | PB-PVD | PS | SS | SCR | PCR | SC
 gold plating available upon request

price list

page 21

material

solid brass



ENTRANCE

LEVER SETS



SET COMPONENTS

Complete Entrance Knob (Lever) Set – Mortise Lock includes exterior plate, interior plate with turnpiece, two knobs (levers), 4" swivel spindle (8mm), single cylinder mortise lock (2-1/2" backset) w/EE function, faceplate, strike, dust box, mortise cylinder and mounting hardware.

Complete Entrance Knob (Lever) Set – Latch x Auxiliary Deadbolt includes exterior plate, interior plate, two knobs (levers), passage latch (2-3/8"), 4" straight spindle (8mm), auxiliary deadbolt (2-3/8"), rim cylinder, turnpiece, latch faceplate, deadbolt faceplate, full lip strike, deadbolt strike, dust boxes and mounting hardware. NOTE: our standard spacing between knob (lever) hub and auxiliary deadbolt is 5-1/2" c-c

Complete Entrance Knob (Lever) Set – Full Dummy includes exterior plate, interior plate, two knobs (levers), 4" straight spindle (8mm) and mounting hardware.

Multi Point Sets – American Profile

2" x 14" Multi Point Sets

- 8464 Multi Point Complete Set
 - 8465 Multi Point Full Dummy Set
 - 8466 Multi Point Active Dummy Set
 - 8467 Multi Point Patio Set
- Above sets include 8557 Lever

2-1/2" x 14" Multi Point Sets

- 8470 Multi Point Complete Set
 - 8471 Multi Point Full Dummy Set
 - 8472 Multi Point Active Dummy Set
 - 8473 Multi Point Patio Set
- Above sets include 8557 Lever

standard finishes

premium finishes

price list

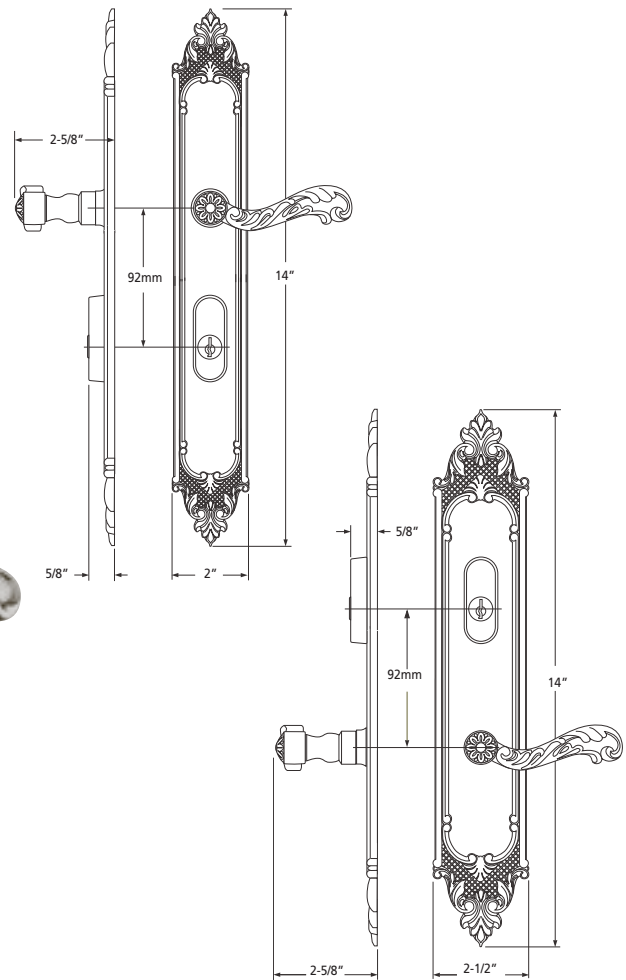
material

AB	ABB	BB	BZ	KN	PA	PB	PBNL	TN	WB	WZ			
ABN	AN	AP	BN	MB	NC	PC	PN	SN	WA	WC	WN	WP	

APS	APN	PB-PVD	PS	SS	SCR	PCR	SC						
gold plating available upon request													

page 21

solid brass



AMERICAN
MULTI POINT

HOW TO ORDER

- Specify application.
- Specify finish. If split finish required, please indicate exterior/interior.
- Specify door thickness. Standard thickness is 1-3/4\".
- Specify hand of door – RH/LH.
- See Multi Point Check Sheet (form 500) for additional information.
- Specify fixed or active exterior lever when ordering active dummy set.

REMEMBER...

- Standard euro profile applications: lever high – 92mm spacing.
- Standard american cylinder applications: lever high – 92mm spacing.
- Specify lever low or custom c-c spacing required.
- All levers are interchangeable.
- Door thickness greater than 1-3/4\" will require longer euro cylinders.
- Cylinders INCLUDED w/all applications (collection turnpiece attached).
- Strike not included.
- Euro offset cylinders available upon request - contact us.

Multi Point Sets – Euro Profile

2" x 14" Multi Point Sets

- 8450 Multi Point Complete Set
- 8451 Multi Point Full Dummy Set
- 8452 Multi Point Active Dummy Set
- 8453 Multi Point Patio Set

Above sets include 8557 Lever

standard finishes

AB | ABB | BB | BZ | KN | PA | PB | PBNL | TN | WB | WZ |
 ABN | AN | AP | BN | MB | NC | PC | PN | SN | WA | WC | WN | WP

2-1/2" x 14" Multi Point Sets

- 8456 Multi Point Complete Set
- 8457 Multi Point Full Dummy Set
- 8458 Multi Point Active Dummy Set
- 8459 Multi Point Patio Set

Above sets include 8557 Lever

premium finishes

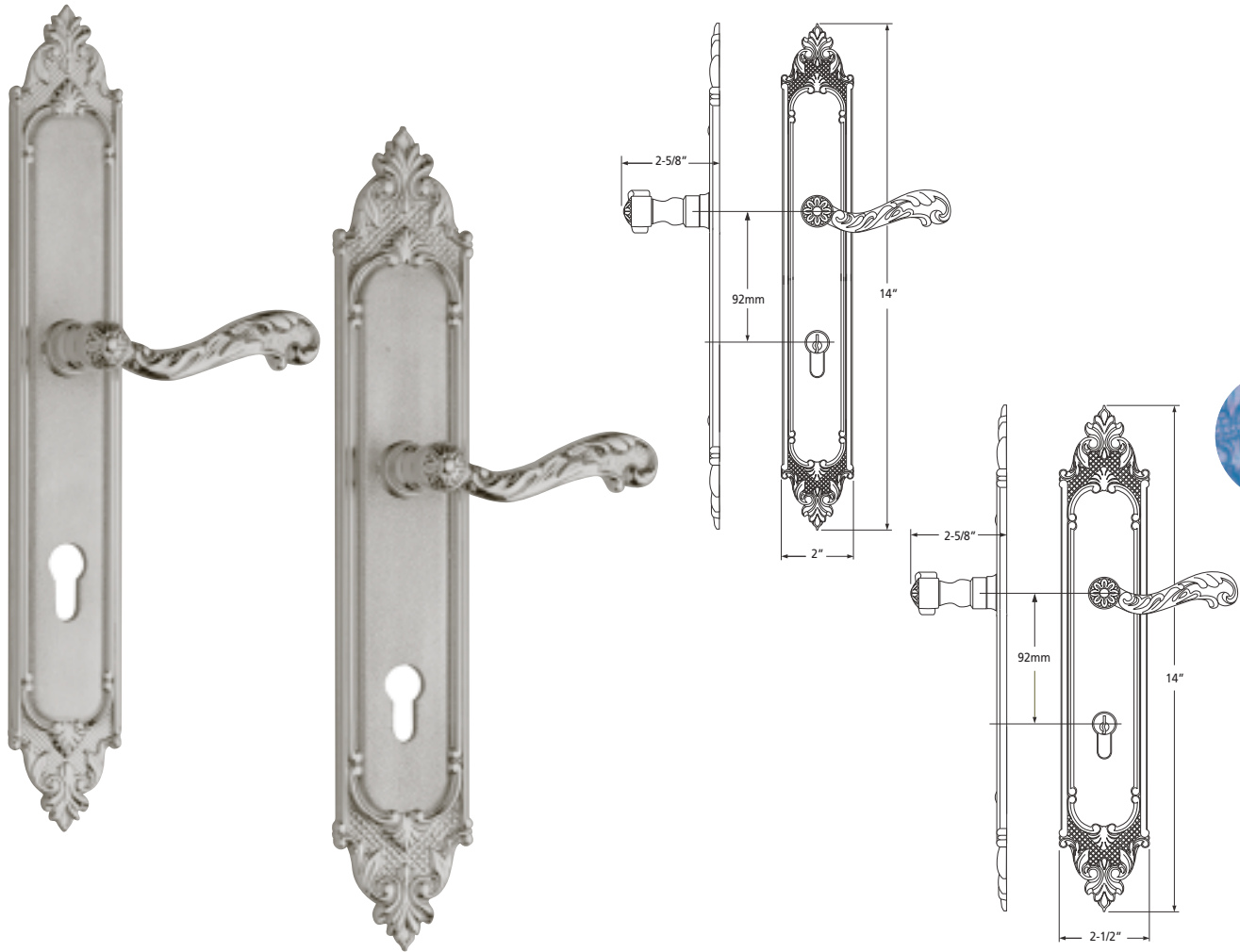
APS | APN | PB-PVD | PS | SS | SCR | PCR | SC
 gold plating available upon request

price list

page 21

material

solid brass



MULTI POINT

EUROPEAN

SET COMPONENTS

Multi Point Complete Set – Euro (American) Profile includes two escutcheons, one pair of levers, 4" straight spindle, europrofile cylinder - 62mm - kxtp (american profile cylinder) and mounting hardware. NOTE: standard spacing between lever hub and the profile cylinder is 92mm.

Multi Point Full Dummy Set – Euro (American) Profile includes two escutcheons, one pair of levers, 4" straight spindle (8mm), two dummy mount plates and mounting hardware.

Multi Point Active Dummy Set – Euro (American) Profile includes two escutcheons, one pair of levers, 4" straight spindle (8mm) and mounting hardware.

Multi Point Patio Set – Euro (American) Profile includes exterior escutcheon, interior escutcheon (for American profile application turnpiece with tailpiece attached to escutcheon), one pair of levers, 4" straight spindle (8mm), Europrofile half cylinder - 31mm and mounting hardware. NOTE: standard spacing between lever hub and the profile cylinder is 92 mm.

Interior Escutcheon Sets – Knob

2" x 14" Escutcheon Sets

- 8424 Interior Knob Set – Passage
- 8425 Interior Knob Set – Latch x Mortise Bolt
- 8426 Interior Knob Set – Full Dummy
- 8427 Interior Knob Set – Half Dummy

Above sets include 8550 Knob

2-1/2" x 14" Escutcheon Sets

- 8432 Interior Knob Set – Passage
- 8433 Interior Knob Set – Privacy
- 8435 Interior Knob Set – Latch x Mortise Bolt
- 8437 Interior Knob Set – Full Dummy
- 8438 Interior Knob Set – Half Dummy

Above sets include 8550 Knob

standard finishes

AB|ABB|BB|BZ|KN|PA|PB|PBNL|TN|WB|WZ|
ABN|AN|AP|BN|MB|NC|PC|PN|SN|WA|WC|WN|WP

premium finishes

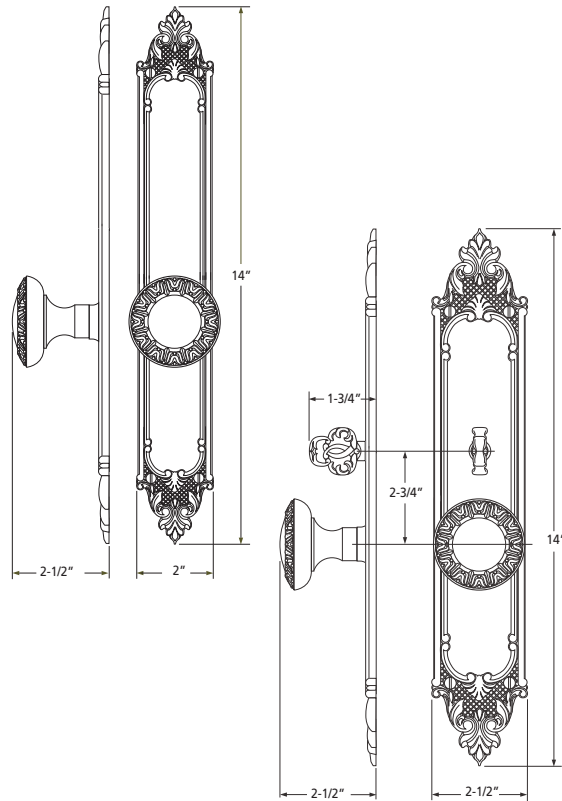
APS|APN|PB-PVD|PS|SS|SCR|PCR|SC
gold plating available upon request

price list

page 22

material

solid brass



HOW TO ORDER

- 1 Specify application.
- 2 Specify finish. If split finish required, please indicate exterior/interior.
- 3 Specify door thickness. Standard thickness is 1-3/4".
- 4 Specify hand of door – RH/LH.
- 5 Specify backset required. Standard is 2-3/8".

REMEMBER...

- 1 Consider utilizing an interior mortise lock for quality installations.
- 2 All knobs & levers are interchangeable.
- 3 FULL LIP strikes are standard. Specify SUB 'T' strike, if required.
- 4 Standard backset is 2-3/8". If required specify 2-3/4".
- 5 Combination strike and faceplate available for latch x mortise bolt function.
- 6 Custom drilling available.

Interior Escutcheon Sets – Lever

2" x 14" Escutcheon Sets

- 8428 Interior Lever Set – Passage
- 8429 Interior Lever Set – Latch x Mortise Bolt
- 8430 Interior Lever Set – Full Dummy
- 8431 Interior Lever Set – Half Dummy

Above sets include 8557 Lever

2-1/2" x 14" Escutcheon Sets

- 8442 Interior Lever Set – Passage
- 8443 Interior Lever Set – Privacy
- 8445 Interior Lever Set – Latch x Mortise Bolt
- 8447 Interior Lever Set – Full Dummy
- 8448 Interior Lever Set – Half Dummy

Above sets include 8557 Lever

standard finishes

AB | ABB | BB | BZ | KN | PA | PB | PBNL | TN | WB | WZ |
 ABN | AN | AP | BN | MB | NC | PC | PN | SN | WA | WC | WN | WP

premium finishes

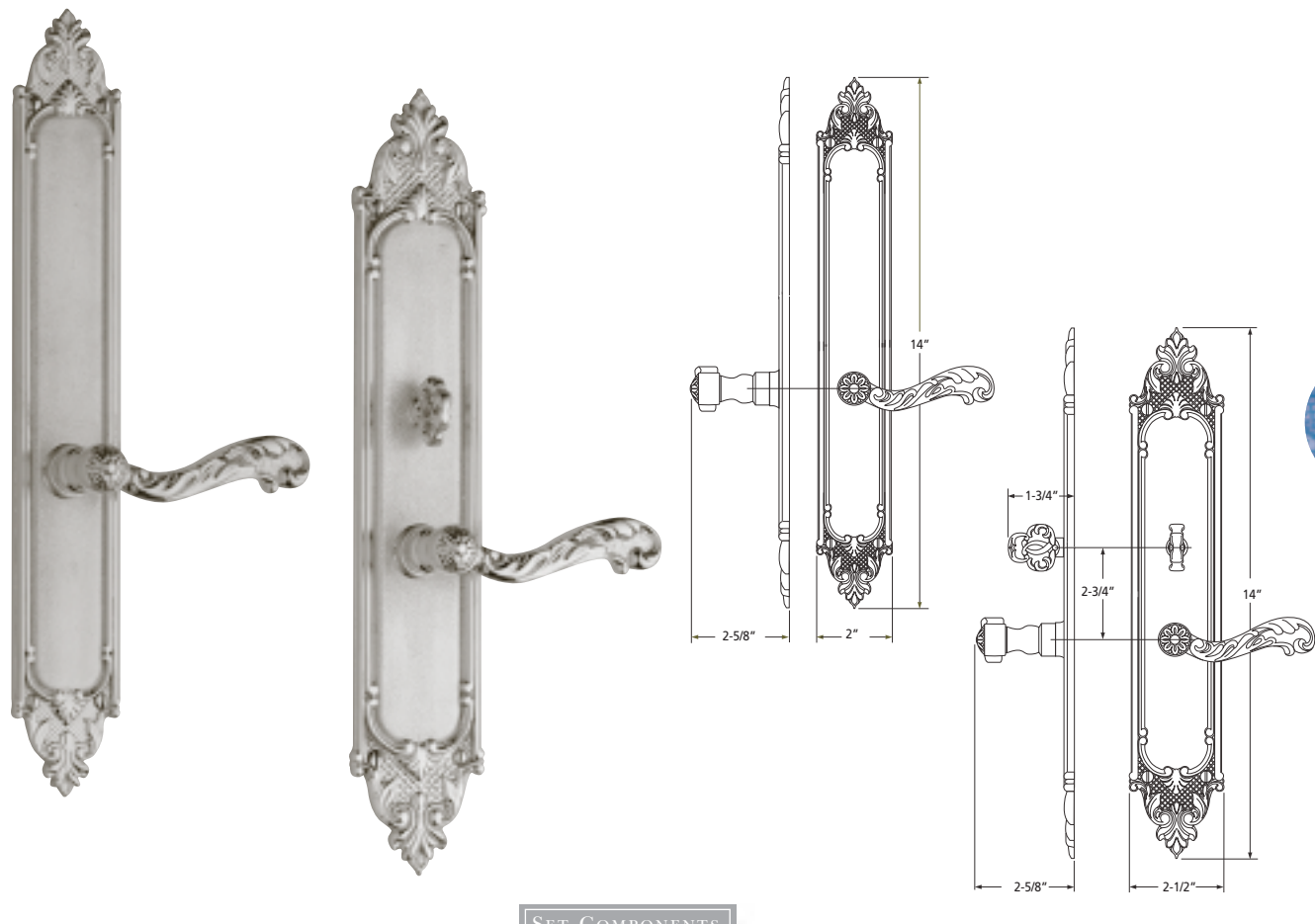
APS | APN | PB-PVD | PS | SS | SCR | PCR | SC
 gold plating available upon request

price list

page 22

material

solid brass



SET COMPONENTS

Interior Escutcheon Knob (Lever) Set – Passage includes two escutcheons, two knobs (levers), 4" straight spindle (8mm), passage latch (2-3/8" backset), faceplate, full lip strike, dust box and mounting hardware.

Interior Escutcheon Knob (Lever) Set – Privacy includes two escutcheons with privacy pin hole, two knobs (levers), one 4" swivel spindle (8mm), privacy latch (2-3/8" backset), privacy pin, faceplate, full lip strike, dust box and mounting hardware.

Interior Escutcheon Knob (Lever) Set – Passage Latch x Mortise Bolt includes an exterior escutcheon with emergency egress hole, an interior escutcheon with turnpiece attached, two knobs (levers), 4" straight spindle (8mm), passage latch (2-3/8" backset), latch faceplate, full lip strike, mortise bolt (2-3/8" backset), mortise bolt faceplate, mortise bolt strike, dust box and mounting hardware. NOTE: standard spacing between knob (lever) hub and mortise bolt hub is 2-3/4" c-c.

Interior Escutcheon Knob (Lever) Set – Full Dummy includes two escutcheons, two knobs (levers), 4" straight spindle (8mm), two dummy mounting plates and mounting hardware.

Interior Escutcheon Knob (Lever) Set – Half Dummy includes an escutcheon, knob (lever), dummy mount spindle and mounting hardware.

Interior Knob Sets – 2³/₈"

- 8502 Knob and Rosette - Passage Set
- 8507 Knob and Rosette - Privacy Set
- 8514 Knob and Rosette - Full Dummy
- 8518 Knob and Rosette - Half Dummy

- 8524 Knob and Rosette Only - Passage
- 8528 Knob and Rosette Only - Privacy
- 8550 Knob Only
- 8561 Rose Only - Passage

standard finishes

AB	ABB	BB	BZ	KN	PA	PB	PBNL	TN	WB	WZ		
ABN	AN	AP	BN	MB	NC	PC	PN	SN	WA	WC	WN	WP

premium finishes

APS	APN	PB-PVD	PS	SS	SCR	PCR	SC
-----	-----	--------	----	----	-----	-----	----

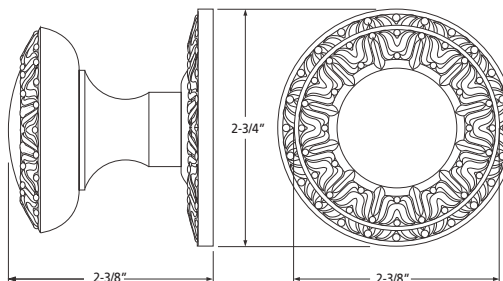
price list

page 22-23

material

solid brass

gold plating available upon request



Interior Knob Sets – 3"

- 8504 Knob and Rosette - Passage Set
- 8509 Knob and Rosette - Privacy Set
- 8516 Knob and Rosette - Full Dummy
- 8520 Knob and Rosette - Half Dummy

- 8526 Knob and Rosette Only - Passage
- 8530 Knob and Rosette Only - Privacy
- 8552 Knob Only
- 8563 Rose Only - Passage

standard finishes

AB	ABB	BB	BZ	KN	PA	PB	PBNL	TN	WB	WZ		
ABN	AN	AP	BN	MB	NC	PC	PN	SN	WA	WC	WN	WP

premium finishes

APS	APN	PB-PVD	PS	SS	SCR	PCR	SC
-----	-----	--------	----	----	-----	-----	----

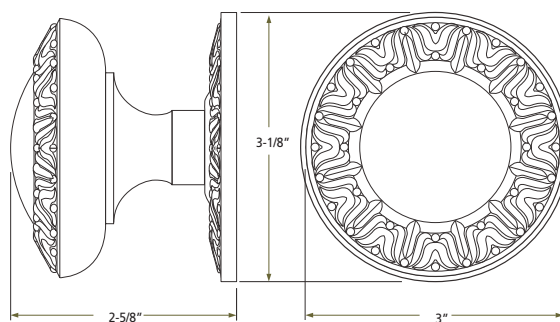
price list

page 22-23

material

solid brass

gold plating available upon request



HOW TO ORDER

- 1 Specify application.
- 2 Specify finish. If split finish required, please indicate exterior/interior.
- 3 Specify door thickness. Standard thickness is 1-3/8".
- 4 Specify backset. Standard backset is 2-3/8".
- 5 Specify hand of door – RH/LH – if split finish required.
- 6 Specify if pre-drilled adapters are required. (part #9749)

REMEMBER...

- 1 FULL LIP strikes are standard. Specify SUB 'T' strike, if required.
- 2 Consider utilizing an interior mortise lock for quality installations.
- 3 All knobs, levers and roses are interchangeable.
- 4 Standard backset 2-3/8". If required specify 2-3/4" backset.
- 5 Lever strength latches will be supplied with all large knobs.

Interior Lever Sets

- 8532 Lever and Rosette - Passage Set
- 8534 Lever and Rosette - Privacy Set
- 8536 Lever and Rosette - Full Dummy
- 8538 Lever and Rosette - Half Dummy

- 8541 Lever and Rosette Only - Passage
- 8544 Lever and Rosette Only - Privacy
- 8557 Lever Only
- 8561 Rose Only - Passage

standard finishes

AB | ABB | BB | BZ | KN | PA | PB | PBNL | TN | WB | WZ |
 ABN | AN | AP | BN | MB | NC | PC | PN | SN | WA | WC | WN | WP

premium finishes

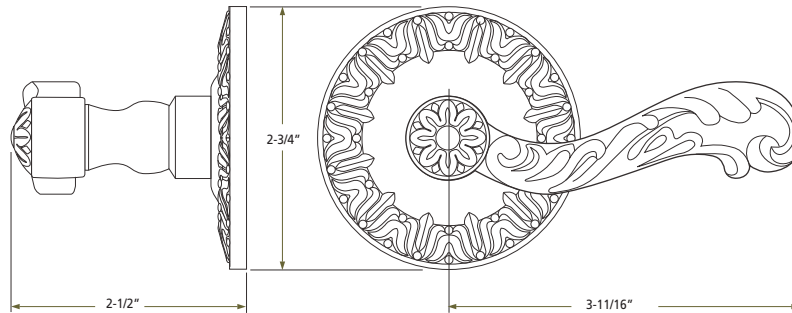
APS | APN | PB-PVD | PS | SS | SCR | PCR | SC
 gold plating available upon request

price list

page 23

material

solid brass



INTERIOR LEVER SETS



SET COMPONENTS

Knob (Lever) and Rosette – Passage Set includes two rosettes (passage), two knobs (levers), passage latch (2-3/8" backset), full lip strike, latch faceplate, 4" straight spindle (8mm), two rosette mount plates, two rosette mount plate hubs, dust box and mounting hardware.

NOTE: if required, order pre-drilled adapter (part # 9749) separately.

Knob (Lever) and Rosette – Privacy Set includes two rosettes (privacy), two knobs (levers), privacy latch (2-3/8" backset), full lip strike, latch faceplate, 4" swivel spindle (8mm), two rosette mount plates, two rosette mount plate hubs, privacy pin, dust box and mounting hardware.

NOTE: if required, order pre-drilled adapter (part # 9749) separately.

Knob (Lever) and Rosette – Full Dummy includes two rosettes, two knobs (levers), 4" straight spindle (8mm), two dummy rosette mount plates, two rosette mount plate hubs, and mounting hardware.

Knob (Lever) and Rosette – Half Dummy includes rosette, knob (lever), dummy mount spindle, rosette mount plate hub and mounting hardware.

Pulls, Push Plates & Pull Plates

8489 Pull (6-1/2" c-c)

8481 Push Plate (2" x 14")

8482 Push Plate (2-1/2" x 14")

8483 Push Plate (3-1/8" x 21-1/8")

8485 Pull Plate (2-1/2" x 14")
(includes 8489 Pull 6-1/2" c-c)

8486 Pull Plate (3-1/8" x 21-1/8")
(includes 8489 Pull 6-1/2" c-c)

standard finishes

AB | ABB | BB | BZ | KN | PA | PB | PBNL | TN | WB | WZ |
ABN | AN | AP | BN | MB | NC | PC | PN | SN | WA | WC | WN | WP

premium finishes

APS | APN | PB-PVD | PS | SS | SCR | PCR | SC
gold plating available upon request

price list

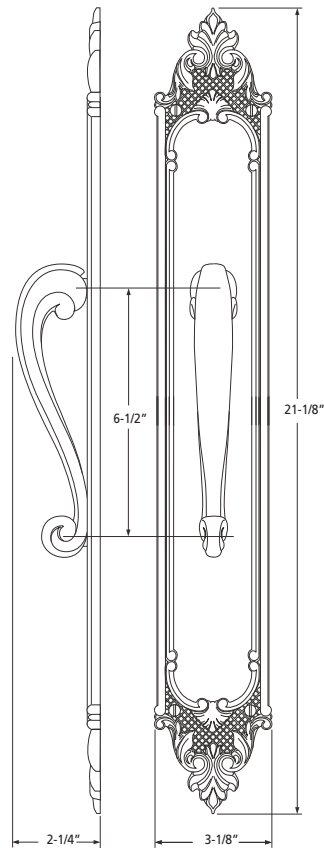
page 23

material

solid brass

PULL PLATES

PULLS, PUSH PLATES



HOW TO ORDER

- 1 Specify application.
- 2 Specify finish.
- 3 Specify door thickness. Standard thickness is 1-3/4".

REMEMBER...

- 1 Back-to-back applications available for pulls and pull plates. Specify part # 9958 for upcharge
- 2 Custom drilling available.

Flush Pulls

- 8492 Flush Pull Only (2-1/2" x 14")
- 8493 Flush Pull w/turnpiece (2-1/2" x 14")
- 8494 Flush Pull w/cylinder hole (2-1/2" x 14")

- 8495 Complete Flush Pull Set - Passage w/9730
- 8496 Complete Flush Pull Set - Passage w/Accurate 2000
- 8497 Complete Flush Pull Set - Privacy w/Accurate 2002

standard finishes

AB | ABB | BB | BZ | KN | PA | PB | PBNL | TN | WB | WZ |
 ABN | AN | AP | BN | MB | NC | PC | PN | SN | WA | WC | WN | WP

premium finishes

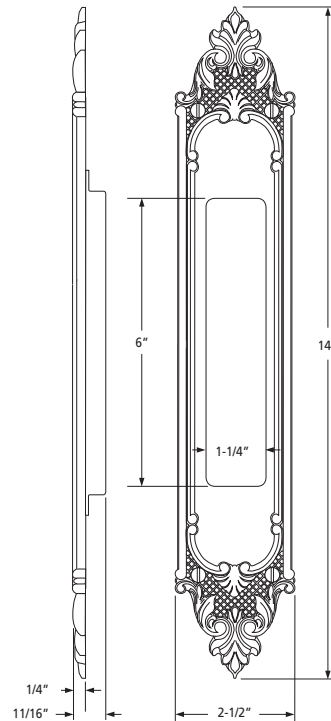
APS | APN | PB-PVD | PS | SS | SCR | PCR | SC
 gold plating available upon request

price list

page 23

material

solid brass



FLUSH PULLS



HOW TO ORDER

- 1 Specify application.
- 2 Specify finish.
- 3 Specify door thickness. Standard thickness is 1-3/4".

REMEMBER...

- 1 Verify jamb clearance for escutcheon projection.
- 2 Edge pulls available - Standard or Mortise.
- 3 Flush Pull locks, Edge Pulls, and Cylinders must be ordered separately.

Auxiliary Deadbolts

8570 Complete Auxiliary Deadbolt Set
(Key & Turnpiece 2-3/4")

8571 Complete Auxiliary Deadbolt Set
(Key & Key 2-3/4")

standard finishes

AB | ABB | BB | BZ | KN | PA | PB | PBNL | TN | WB | WZ |
ABN | AN | AP | BN | MB | NC | PC | PN | SN | WA | WC | WN | WP

premium finishes

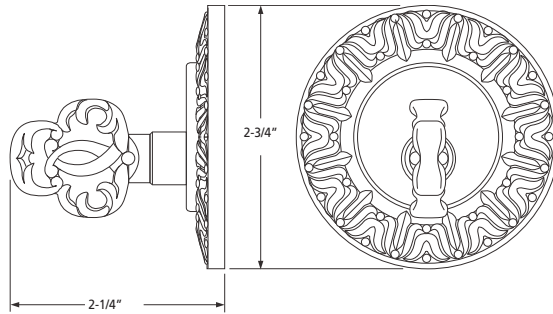
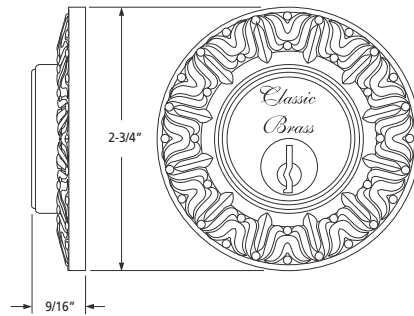
APS | APN | PB-PVD | PS | SS | SCR | PCR | SC
gold plating available upon request

price list

page 24

material

solid brass



Note: for 2-1/8" bore installation

DEADBOLTS

AUXILIARY

HOW TO ORDER

- 1 Specify application and collar size.
- 2 Specify finish. If split finish required, specify exterior/interior.
- 3 Specify door thickness. Standard thickness is 1-3/4".
- 4 Specify backset required. Standard is 2-3/8" (adjustable to 2-3/4")

REMEMBER...

- 1 Available for thick doors.
- 2 Should you require key alike, please specify.

Mortise Bolts

- 8575 Complete Mortise Bolt Set
- 8577 Mortise Bolt and Turnpiece w/Plate
- 8579 Turnpiece and Plate

standard finishes

AB | ABB | BB | BZ | KN | PA | PB | PBNL | TN | WB | WZ |
 ABN | AN | AP | BN | MB | NC | PC | PN | SN | WA | WC | WN | WP

premium finishes

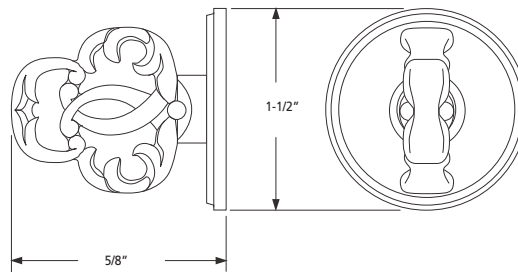
APS | APN | PB-PVD | PS | SS | SCR | PCR | SC
 gold plating available upon request

price list

page 24

material

solid brass



M
O
R
T
I
S
E



B
O
L
T
S

HOW TO ORDER

- 1 Specify application.
- 2 Specify finish. If split finish required, specify exterior/interior.
- 3 Specify door thickness. Standard thickness is 1-3/4\".
- 4 Specify backset required. Standard is 2-3/8\".

REMEMBER...

- 1 Standard backset is 2-3/8\". If required specify 2-3/4\".
- 2 Available for thick doors.

Door Knockers, Door Bells

8180 Door Knocker

8583 Doorbell Escutcheon

standard finishes

AB | ABB | BB | BZ | KN | PA | PB | PBNL | TN | WB | WZ |
 ABN | AN | AP | BN | MB | NC | PC | PN | SN | WA | WC | WN | WP

premium finishes

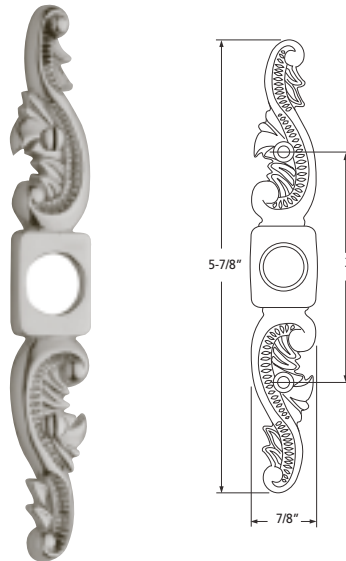
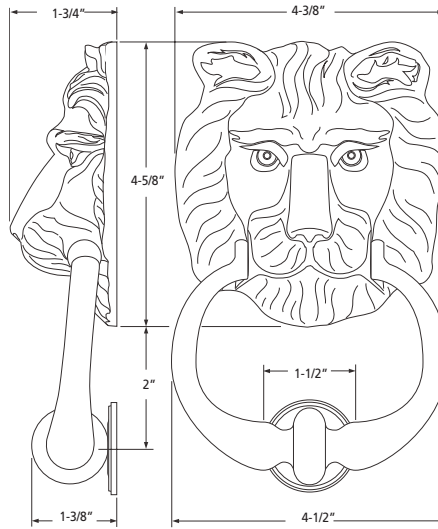
APS | APN | PB-PVD | PS | SS | SCR | PCR | SC
 gold plating available upon request

price list

page 24

material

solid brass



HOW TO ORDER

- 1 Specify application.
- 2 Specify finish. If split finish required, specify exterior/interior.
- 3 Specify door thickness. Standard thickness is 1-3/4\".

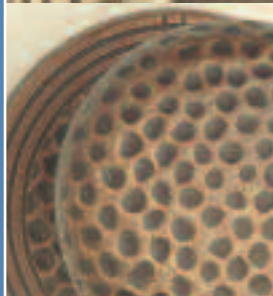
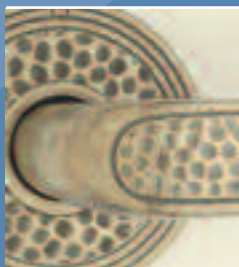
REMEMBER...

- 1 Available for thick doors.
- 2 Doorbell button NOT included.

DOOR BELLS

DOOR KNOCKERS

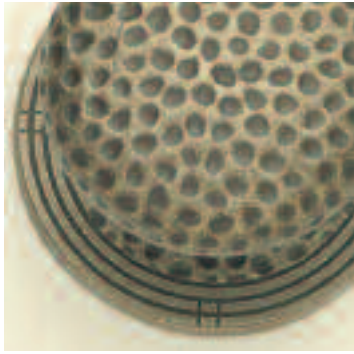
arts & crafts COLLECTION



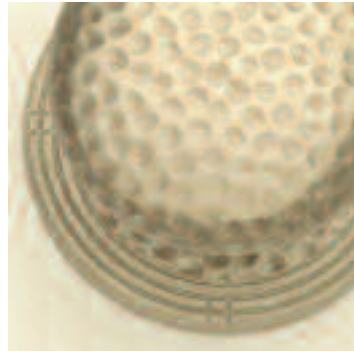
Entrance Handle Setspage AC-1
Entrance Knob Setspage AC-2
Entrance Lever Setspage AC-3
Multi Point Setspages AC-4/5
Interior Escutcheon Sets ...pages AC-6/7
Knob Setspage AC-8
Lever Setspage AC-9
Push Plates/Pullspage AC-10
Flush Pullspage AC-11
Auxiliary Deadboltspage AC-12
Mortise Boltspage AC-13
Door Knocker/Door Bell ...page AC-14

Classic Brass

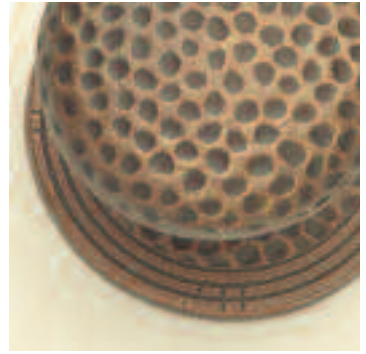
ARTS & CRAFTS
finishes



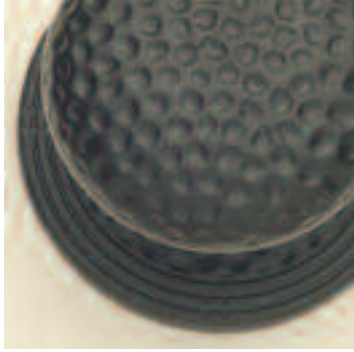
aged iron (AI)



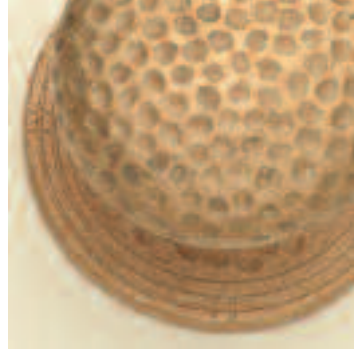
aged silver (AS)



aged bronze (AZ)



matte black (MB)



natural bronze (NB)



sterling (ST)

Custom finishes available.

Entrance Handle Sets

- 8600** Complete Entrance Handle Set
- 8602** Complete Entrance Handle Set – Thumbpiece x Thumbpiece
- 8604** Complete Entrance Handle Set (less lock)
- 8606** Complete Entrance Handle Set – Full Dummy
- 8607** Complete Entrance Handle Set – Thumbpiece x Thumbpiece – Full Dummy

Above sets include 8757 Lever

standard finishes

AZ | MB | NB
AI | AS | ST

premium finishes

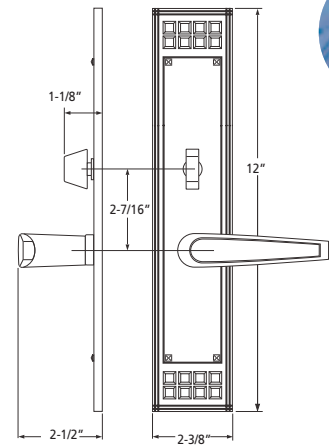
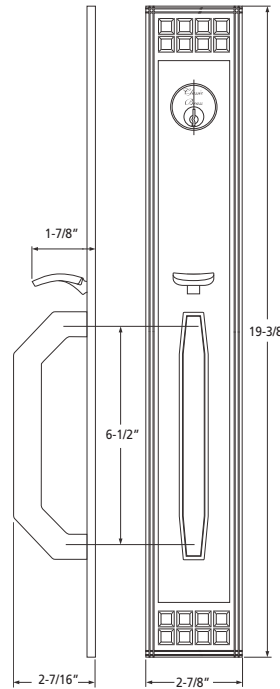
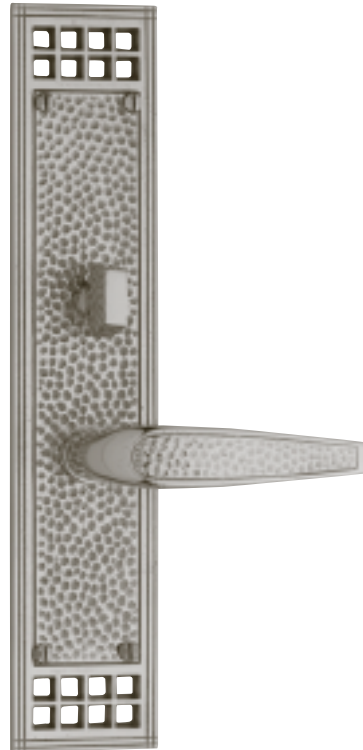
custom finishes available

price list

page 25

material

solid bronze
solid white bronze



ENTRANCE

HANDLE SETS

HOW TO ORDER

- 1 Specify application.
- 2 Specify finish. If split finish required, please indicate exterior/interior.
- 3 Specify door thickness. Standard thickness is 1-3/4".
- 4 Specify hand of door – RH/LH.
- 5 Specify backset required. Standard is 2-1/2"

REMEMBER...

- 1 Standard mortise lock is 2-1/2" EE. Specify 2-3/4" if required.
- 2 Levers are standard. If knobs are required, specify part number.
- 3 All knobs and levers are interchangeable.
- 4 A door thickness greater than 1-3/4" will require a thick door kit.
- 5 Entrance handlesets are mortise lock ONLY.
- 6 Custom drilling is available.

Entrance Knob Sets

8610 Complete Knob Mortise Entrance Set

8611 Complete Knob Mortise Entrance Set - Full Dummy

8612 Complete Knob Latch x Auxiliary Deadbolt Set (5-1/2" c-c)

8613 Complete Knob Latch x Auxiliary Deadbolt Set - Full Dummy

Above sets include 8750 Knob

standard finishes

premium finishes

price list

material

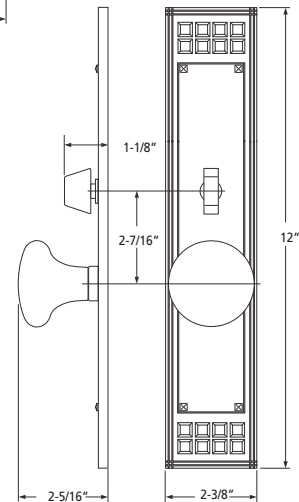
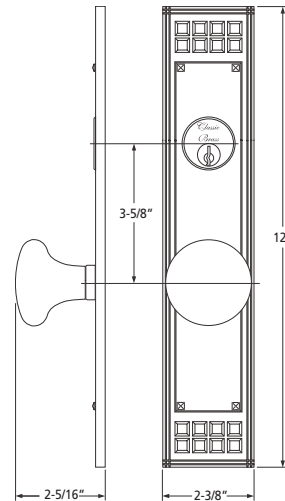
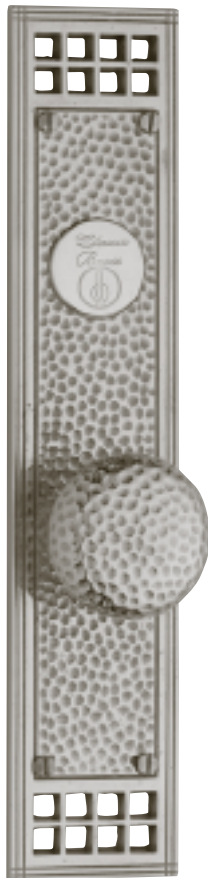
AZ | MB | NB
AI | AS | ST

custom finishes available

page 25

solid bronze

solid white bronze



HOW TO ORDER

- 1 Specify application – mortise, latch x auxiliary deadbolt or full dummy.
- 2 Specify finish. If split finish required, please indicate exterior/interior.
- 3 Specify door thickness. Standard thickness is 1-3/4".
- 4 Specify hand of door – RH/LH.
- 5 Specify backset – standard for mortise lock is 2-1/2"
– standard for auxiliary deadbolt is 2-3/8"

REMEMBER...

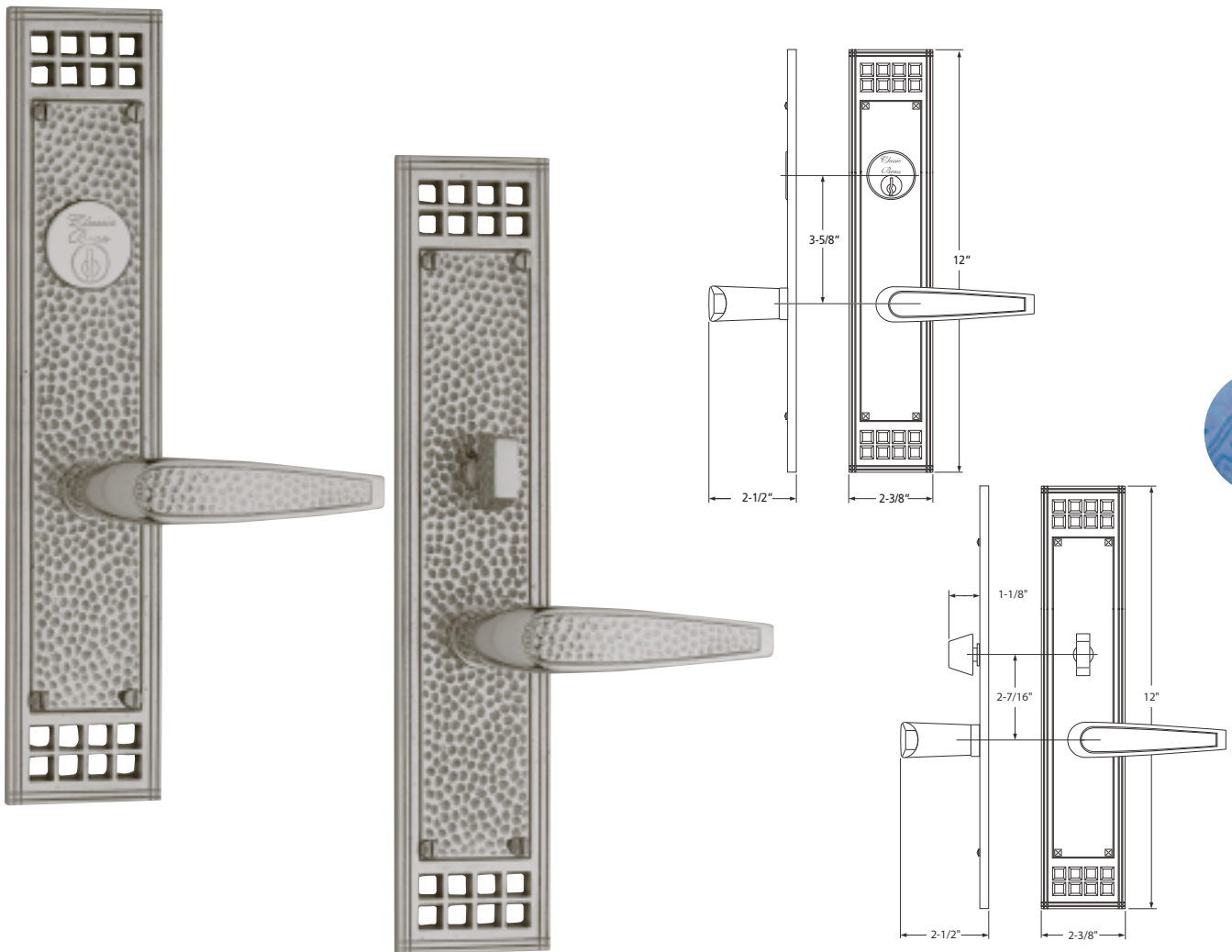
- 1 Standard mortise lock is 2-1/2" EE. Specify 2-3/4" if required.
- 2 Standard latch x auxiliary deadbolt – 5-1/2" c-c spacing and 2-3/8" backset. If required, specify 2-3/4" backset.
- 3 All knobs and levers are interchangeable.
- 4 A door thickness greater than 1-3/4" will require a thick door kit.
- 5 Custom drilling available.

Entrance Lever Sets

- 8620** Complete Lever Mortise Entrance Set
- 8621** Complete Lever Mortise Entrance Set - Full Dummy
- 8622** Complete Lever Latch x Auxiliary Deadbolt Set (5-1/2" c-c)
- 8623** Complete Lever Latch x Auxiliary Deadbolt Set - Full Dummy

Above sets include 8757 Lever

standard finishes			premium finishes	price list	material
AZ	MB	NB	custom finishes available	page 25	solid bronze
AI	AS	ST			solid white bronze



ENTRANCE LEVER SETS

SET COMPONENTS

Complete Entrance Knob (Lever) Set – Mortise Lock includes exterior plate, interior plate with turnpiece, two knobs (levers), 4" swivel spindle (8mm), single cylinder mortise lock (2-1/2" backset) w/EE function, faceplate, strike, dust box, mortise cylinder and mounting hardware.

Complete Entrance Knob (Lever) Set – Latch x Auxiliary Deadbolt includes exterior plate, interior plate, two knobs (levers), passage latch (2-3/8"), 4" straight spindle (8mm), auxiliary deadbolt (2-3/8"), rim cylinder, turnpiece, latch faceplate, deadbolt faceplate, full lip strike, deadbolt strike, dust boxes and mounting hardware. **NOTE:** our standard spacing between knob (lever) hub and auxiliary deadbolt is 5-1/2" c-c

Complete Entrance Knob (Lever) Set – Full Dummy includes exterior plate, interior plate, two knobs (levers), 4" straight spindle (8mm) and mounting hardware.

Multi Point Sets – American Profile

2" x 11" Multi Point Sets

- 8664 Multi Point Complete Set
- 8665 Multi Point Full Dummy Set
- 8666 Multi Point Active Dummy Set
- 8667 Multi Point Patio Set

Above sets include 8757 Lever

2-3/8" x 12" Multi Point Sets

- 8670 Multi Point Complete Set
- 8671 Multi Point Full Dummy Set
- 8672 Multi Point Active Dummy Set
- 8673 Multi Point Patio Set

Above sets include 8757 Lever

standard finishes

AZ | MB | NB
AI | AS | ST

premium finishes

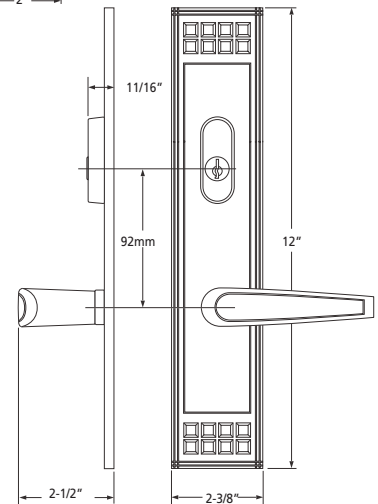
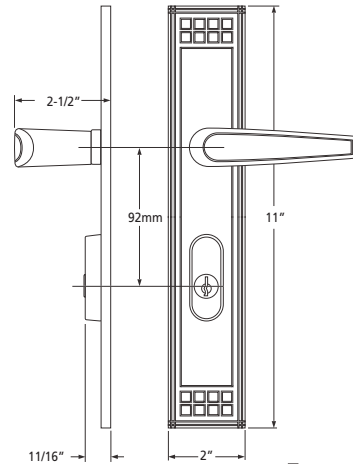
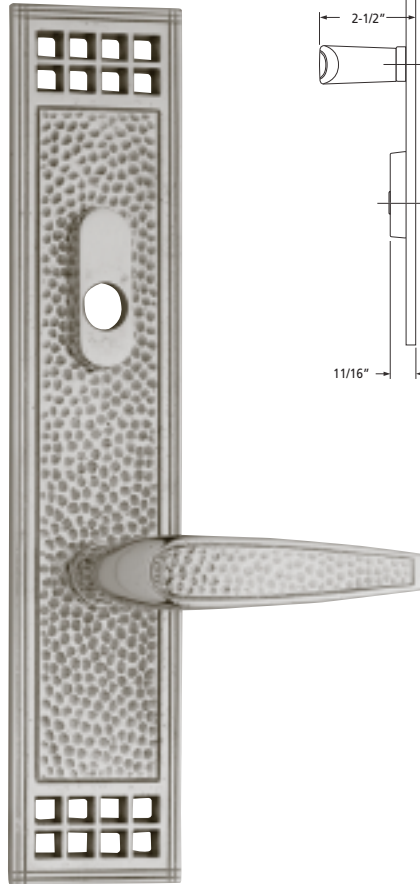
custom finishes available

price list

page 25

material

solid bronze
solid white bronze



AMERICAN

MULTI POINT

HOW TO ORDER

- 1 Specify application.
- 2 Specify finish. If split finish required, please indicate exterior/interior.
- 3 Specify door thickness. Standard thickness is 1-3/4".
- 4 Specify hand of door – RH/LH.
- 5 See Multi Point Check Sheet (form 500) for additional information.
- 6 Specify fixed or active exterior lever when ordering active dummy set.

REMEMBER...

- 1 Standard euro profile applications: lever high – 92mm spacing.
- 2 Standard american cylinder applications: lever high – 92mm spacing.
- 3 Specify lever low or custom c-c spacing required.
- 4 All levers are interchangeable.
- 5 Door thickness greater than 1-3/4" will require longer euro cylinders.
- 6 Cylinders INCLUDED w/all applications (collection turnpiece attached).
- 7 Strike not included.
- 8 Euro offset cylinders available upon request - contact us.

Multi Point Sets – Euro Profile

2" x 11" Multi Point Sets

- 8650 Multi Point Complete Set
- 8651 Multi Point Full Dummy Set
- 8652 Multi Point Active Dummy Set
- 8653 Multi Point Patio Set

Above sets include 8757 Lever

2-3/8" x 12" Multi Point Sets

- 8656 Multi Point Complete Set
- 8657 Multi Point Full Dummy Set
- 8658 Multi Point Active Dummy Set
- 8659 Multi Point Patio Set

Above sets include 8757 Lever

standard finishes

AZ | MB | NB
AI | AS | ST

premium finishes

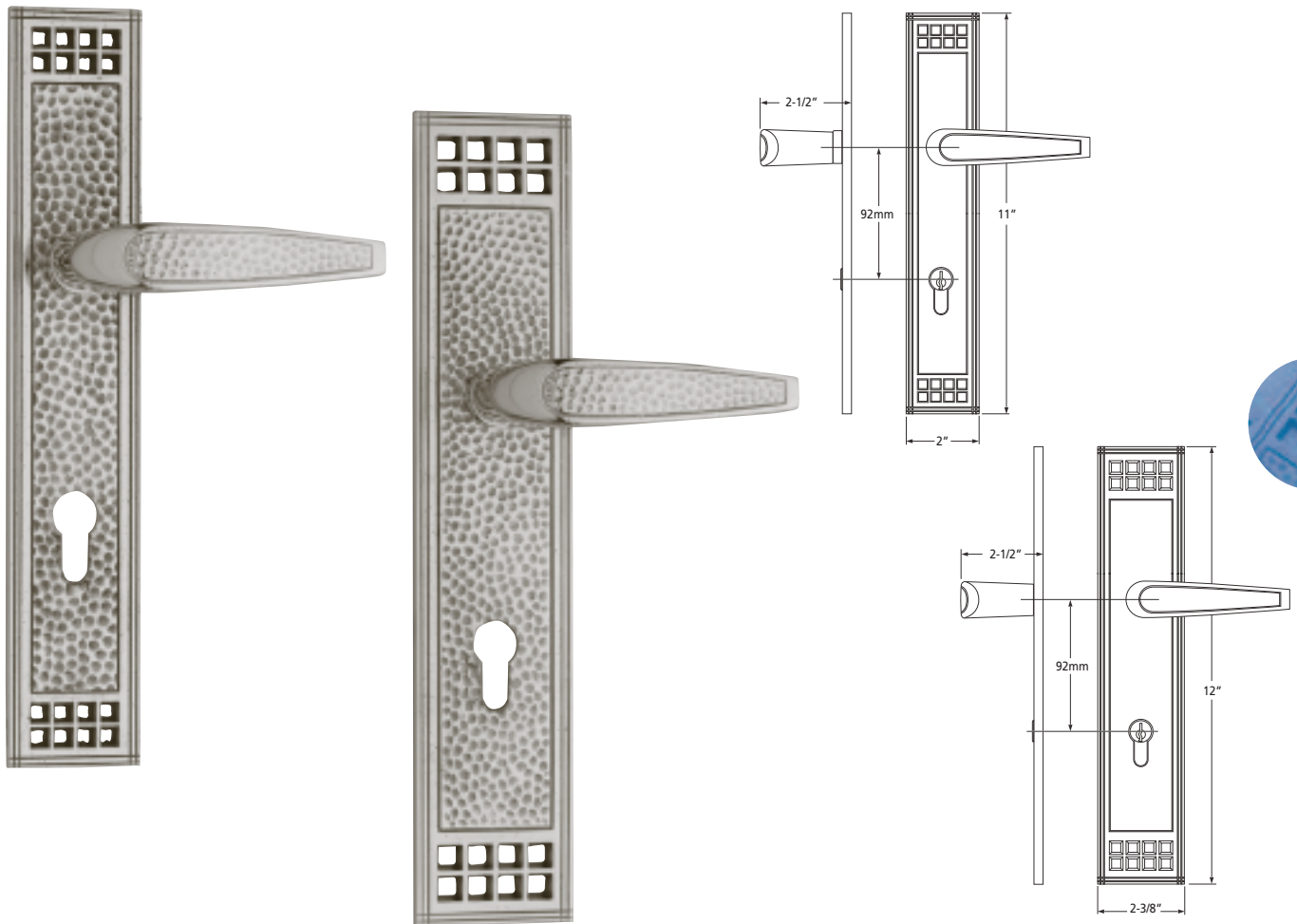
custom finishes available

price list

page 25

material

solid bronze
solid white bronze



MULTI POINT

EUROPEAN

SET COMPONENTS

Multi Point Complete Set – Euro (American) Profile includes two escutcheons, one pair of levers, 4" straight spindle, europrofile cylinder - 62mm - kxtp (american profile cylinder) and mounting hardware. NOTE: standard spacing between lever hub and the profile cylinder is 92mm.

Multi Point Full Dummy Set – Euro (American) Profile includes two escutcheons, one pair of levers, 4" straight spindle (8mm), two dummy mount plates and mounting hardware.

Multi Point Active Dummy Set – Euro (American) Profile includes two escutcheons, one pair of levers, 4" straight spindle (8mm) and mounting hardware.

Multi Point Patio Set – Euro (American) Profile includes exterior escutcheon, interior escutcheon (for American profile application turnpiece with tailpiece attached to escutcheon), one pair of levers, 4" straight spindle (8mm), Europrofile half cylinder - 31mm and mounting hardware. NOTE: standard spacing between lever hub and the profile cylinder is 92 mm.

Interior Escutcheon Sets – Knob

2" x 11" Escutcheon Sets

- 8624 Interior Knob Set – Passage
- 8625 Interior Knob Set – Latch x Mortise Bolt
- 8626 Interior Knob Set – Full Dummy
- 8627 Interior Knob Set – Half Dummy

Above sets include 8750 Knob

2-3/8" x 12" Escutcheon Sets

- 8632 Interior Knob Set – Passage
- 8633 Interior Knob Set – Privacy
- 8635 Interior Knob Set – Latch x Mortise Bolt
- 8637 Interior Knob Set – Full Dummy
- 8638 Interior Knob Set – Half Dummy

Above sets include 8750 Knob

standard finishes

AZ | MB | NB
AI | AS | ST

premium finishes

custom finishes available

price list

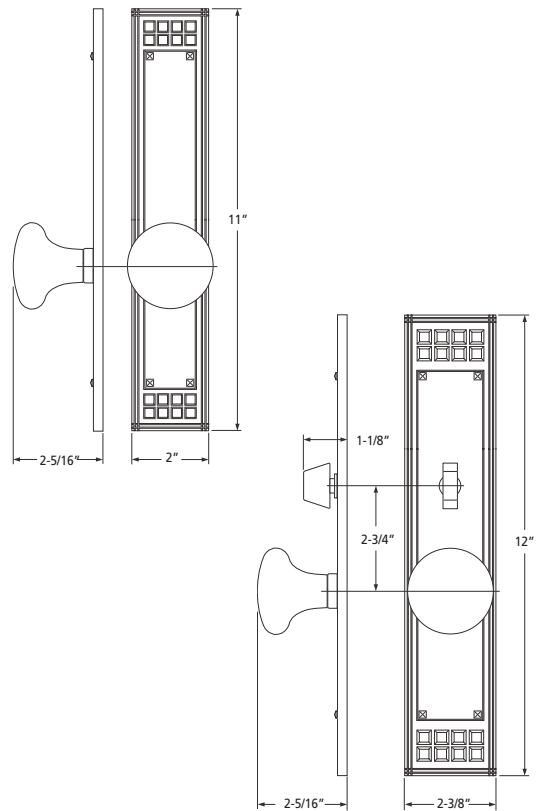
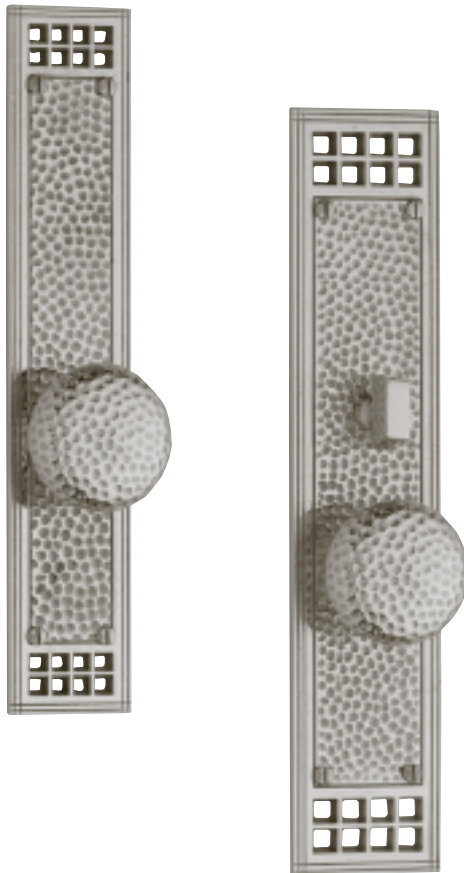
page 26

material

solid bronze
solid white bronze

ESCUTCHEONS

INTERIOR



HOW TO ORDER

- 1 Specify application.
- 2 Specify finish. If split finish required, please indicate exterior/interior.
- 3 Specify door thickness. Standard thickness is 1-3/4".
- 4 Specify hand of door – RH/LH.
- 5 Specify backset required. Standard is 2-3/8".

REMEMBER...

- 1 Consider utilizing an interior mortise lock for quality installations.
- 2 All knobs & levers are interchangeable.
- 3 FULL LIP strikes are standard. Specify SUB 'T' strike, if required.
- 4 Standard backset is 2-3/8". If required specify 2-3/4".
- 5 Combination strike and faceplate available for latch x mortise bolt function.
- 6 Custom drilling available.

Interior Escutcheon Sets – Lever

2" x 11" Escutcheon Sets

- 8628 Interior Lever Set – Passage
- 8629 Interior Lever Set – Latch x Mortise Bolt
- 8630 Interior Lever Set – Full Dummy
- 8631 Interior Lever Set – Half Dummy

Above sets include 8757 Lever

2-3/8" x 12" Escutcheon Sets

- 8642 Interior Lever Set – Passage
- 8643 Interior Lever Set – Privacy
- 8645 Interior Lever Set – Latch x Mortise Bolt
- 8647 Interior Lever Set – Full Dummy
- 8648 Interior Lever Set – Half Dummy

Above sets include 8757 Lever

standard finishes

AZ | MB | NB
AI | AS | ST

premium finishes

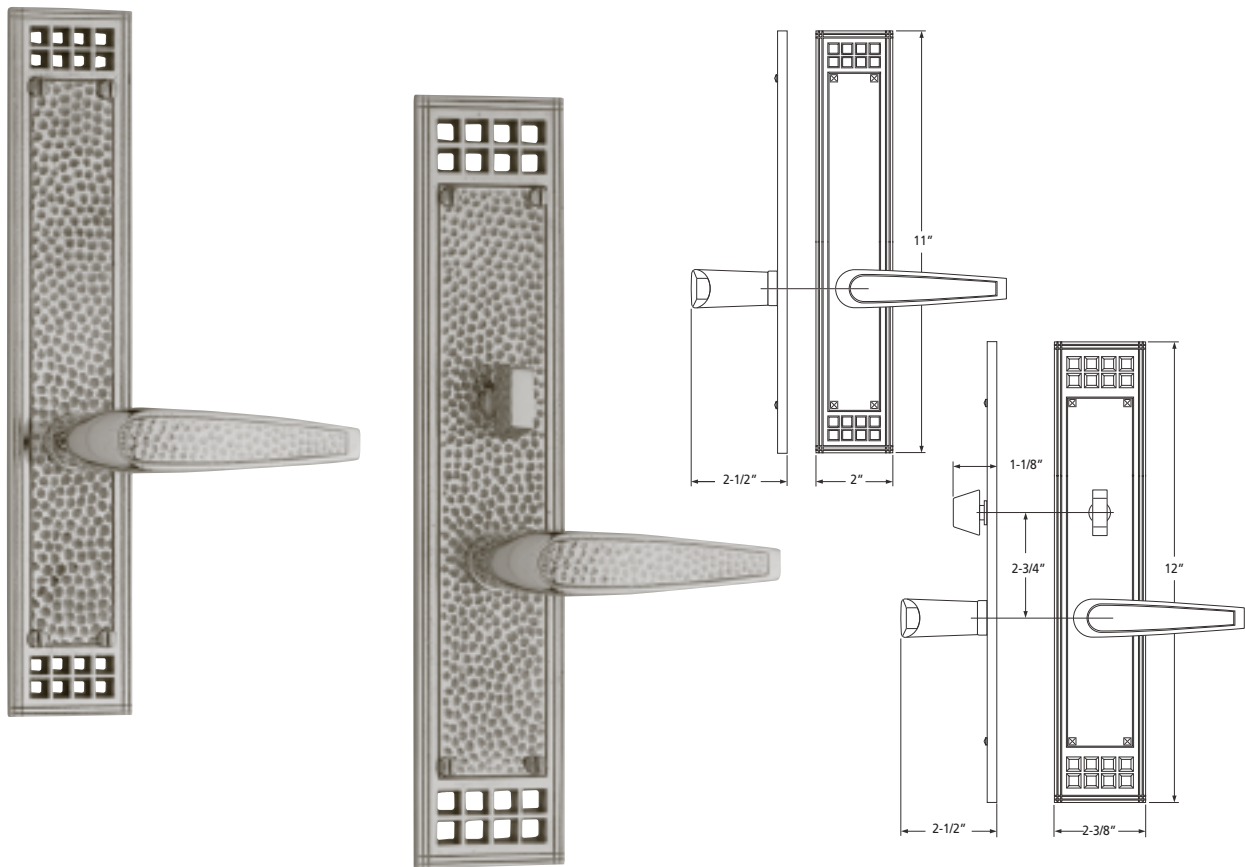
custom finishes available

price list

page 26

material

solid bronze
solid white bronze



INTERIOR ESCUTCHEONS

SET COMPONENTS

Interior Escutcheon Knob (Lever) Set – Passage includes two escutcheons, two knobs (levers), 4" straight spindle (8mm), passage latch (2-3/8" backset), faceplate, full lip strike, dust box and mounting hardware.

Interior Escutcheon Knob (Lever) Set – Privacy includes two escutcheons with privacy pin hole, two knobs (levers), one 4" swivel spindle (8mm), privacy latch (2-3/8" backset), privacy pin, faceplate, full lip strike, dust box and mounting hardware.

Interior Escutcheon Knob (Lever) Set – Passage Latch x Mortise Bolt includes an exterior escutcheon with emergency egress hole, an interior escutcheon with turnpiece attached, two knobs (levers), 4" straight spindle (8mm), passage latch (2-3/8" backset), latch faceplate, full lip strike, mortise bolt (2-3/8" backset), mortise bolt faceplate, mortise bolt strike, dust box and mounting hardware. NOTE: standard spacing between knob (lever) hub and mortise bolt hub is 2-3/4" c-c.

Interior Escutcheon Knob (Lever) Set – Full Dummy includes two escutcheons, two knobs (levers), 4" straight spindle (8mm), two dummy mounting plates and mounting hardware.

Interior Escutcheon Knob (Lever) Set – Half Dummy includes an escutcheon, knob (lever), dummy mount spindle and mounting hardware.

Interior Knob Sets

standard finishes

AZ | MB | NB
AI | AS | ST

premium finishes

custom finishes available

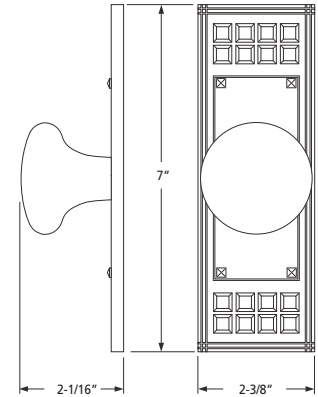
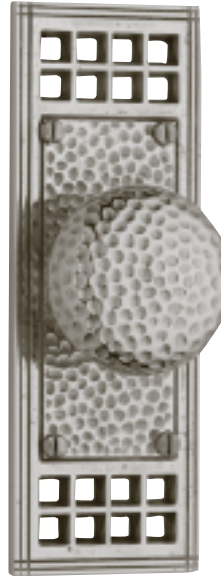
price list

page 26-27

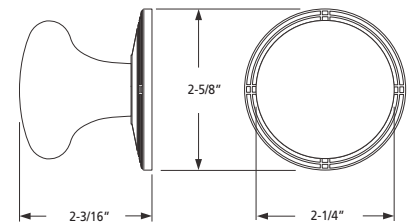
material

solid bronze
solid white bronze

- 8702 Knob and Rosette - Passage Set
- 8707 Knob and Rosette - Privacy Set
- 8714 Knob and Rosette - Full Dummy
- 8718 Knob and Rosette - Half Dummy
- 8724 Knob and Rosette Only - Passage
- 8728 Knob and Rosette Only - Privacy
- 8750 Knob Only
- 8761 Rosette Only - Passage



- 8704 Knob and Rosette - Passage Set
- 8709 Knob and Rosette - Privacy Set
- 8716 Knob and Rosette - Full Dummy
- 8720 Knob and Rosette - Half Dummy
- 8726 Knob and Rosette Only - Passage
- 8730 Knob and Rosette Only - Privacy
- 8750 Knob Only
- 8762 Rosette Only - Passage



HOW TO ORDER

- 1 Specify application.
- 2 Specify finish. If split finish required, please indicate exterior/interior.
- 3 Specify door thickness. Standard thickness is 1-3/8".
- 4 Specify backset. Standard backset is 2-3/8".
- 5 Specify hand of door – RH/LH – for half dummy lever.
- 6 Specify if pre-drilled adapters are required. (part #9749)

REMEMBER...

- 1 FULL LIP strikes are standard. Specify SUB 'T' strike, if required.
- 2 Consider utilizing an interior mortise lock for quality installations.
- 3 All knobs, levers and roses are interchangeable.
- 4 Standard backset 2-3/8". If required specify 2-3/4" backset.
- 5 Custom sizes available.

KNOB SETS

INTERIOR

Interior Lever Sets

standard finishes

AZ | MB | NB
AI | AS | ST

premium finishes

custom finishes available

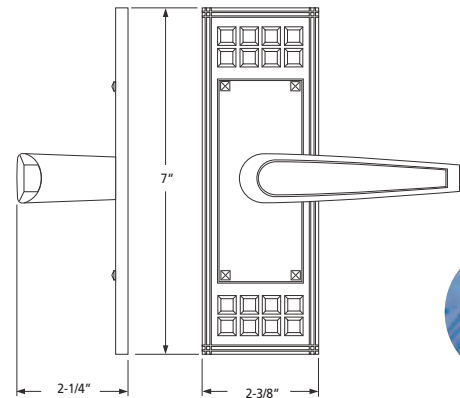
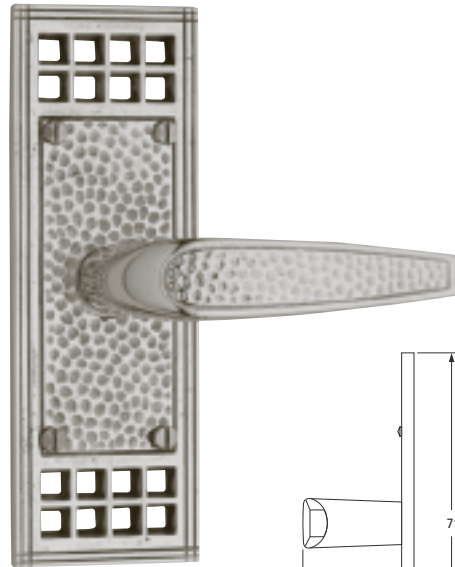
price list

page 27

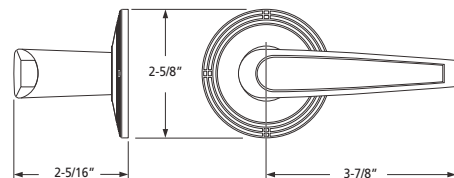
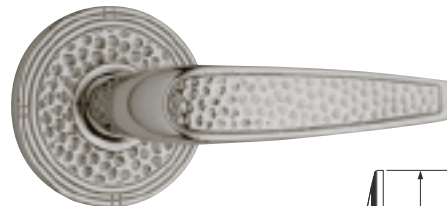
material

solid bronze
solid white bronze

- 8732 Lever and Rosette - Passage Set
- 8734 Lever and Rosette - Privacy Set
- 8736 Lever and Rosette - Full Dummy
- 8738 Lever and Rosette - Half Dummy
- 8741 Lever and Rosette Only - Passage
- 8744 Lever and Rosette Only - Privacy
- 8757 Lever Only
- 8761 Rosette Only - Passage



- 8733 Lever and Rosette - Passage Set
- 8735 Lever and Rosette - Privacy Set
- 8737 Lever and Rosette - Full Dummy
- 8739 Lever and Rosette - Half Dummy
- 8743 Lever and Rosette Only - Passage
- 8745 Lever and Rosette Only - Privacy
- 8757 Lever Only
- 8762 Rosette Only - Passage



INTERIOR LEVER SETS



SET COMPONENTS

Knob (Lever) and Rosette – Passage Set includes two rosettes (passage), two knobs (levers), passage latch (2-3/8" backset), full lip strike, latch faceplate, 4" straight spindle (8mm), two rosette mount plates, two rosette mount plate hubs, dust box and mounting hardware.

NOTE: if required, order *pre-drilled adapter* (part # 9749) separately.

Knob (Lever) and Rosette – Privacy Set includes two rosettes (privacy), two knobs (levers), privacy latch (2-3/8" backset), full lip strike, latch faceplate, 4" swivel spindle (8mm), two rosette mount plates, two rosette mount plate hubs, privacy pin, dust box and mounting hardware.

NOTE: if required, order *pre-drilled adapter* (part # 9749) separately.

Knob (Lever) and Rosette – Full Dummy includes two rosettes, two knobs (levers), 4" straight spindle (8mm), two dummy rosette mount plates, two rosette mount plate hubs, and mounting hardware.

Knob (Lever) and Rosette – Half Dummy includes rosette, knob (lever), dummy mount spindle, rosette mount plate hub and mounting hardware.

Pulls, Push Plates & Pull Plates

8689 Pull (6½" c-c)

8681 Push Plate (2" x 11")

8682 Push Plate (2-3/8" x 12")

8683 Push Plate (2-7/8" x 19-3/8")

8685 Pull Plate (2-3/8" x 12") (includes 8689 Pull)

8686 Pull Plate (2-7/8" x 19-3/8") (includes 8689 Pull)

standard finishes

AZ	MB	NB
AI	AS	ST

premium finishes

custom finishes available

price list

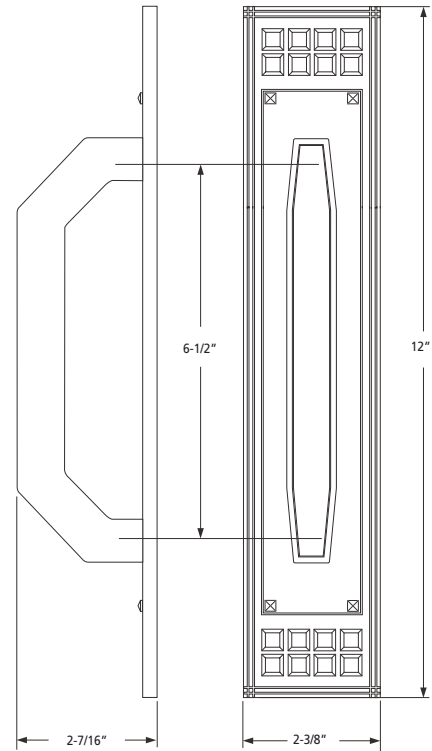
page 27

material

solid bronze
solid white bronze

PULL PLATES

PULLS, PUSH PLATES



HOW TO ORDER

- 1 Specify application.
- 2 Specify finish.
- 3 Specify door thickness. Standard thickness is 1-3/4".

REMEMBER...

- 1 Back-to-back applications available for pulls and pull plates. Specify part # 9958 for upcharge
- 2 Custom drilling available.

Flush Pulls

- 8692 Flush Pull Only (2-3/8" x 12")
- 8693 Flush Pull w/turnpiece (2-3/8" x 12")
- 8694 Flush Pull w/cylinder hole (2-3/8" x 12")

- 8695 Complete Flush Pull Set - Passage w/9730
- 8696 Complete Flush Pull Set - Passage w/Accurate 2000
- 8697 Complete Flush Pull Set - Privacy w/Accurate 2002

standard finishes

AZ | MB | NB
AI | AS | ST

premium finishes

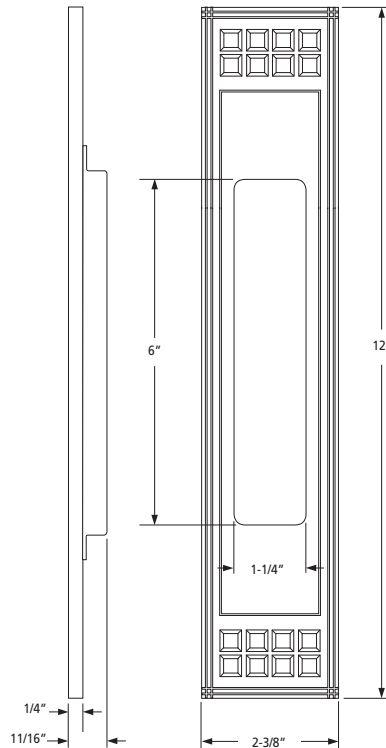
custom finishes available

price list

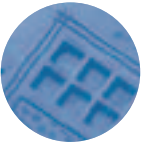
page 27

material

solid bronze
solid white bronze



FLUSH PULLS



HOW TO ORDER

- 1 Specify application.
- 2 Specify finish.
- 3 Specify door thickness. Standard thickness is 1-3/4".

REMEMBER...

- 1 Verify jamb clearance for escutcheon projection.
- 2 Edge Pulls available – Standard or Mortise.
- 3 Flush Pull locks, Edge Pulls and Cylinders must be ordered separately.

Auxiliary Deadbolts

8770 Complete Auxiliary Deadbolt Set
(Key & Turnpiece 2-3/4")

8771 Complete Auxiliary Deadbolt Set
(Key & Key 2-3/4")

standard finishes

AZ | MB | NB
AI | AS | ST

premium finishes

custom finishes available

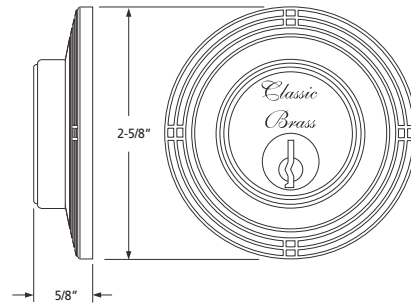
price list

page 28

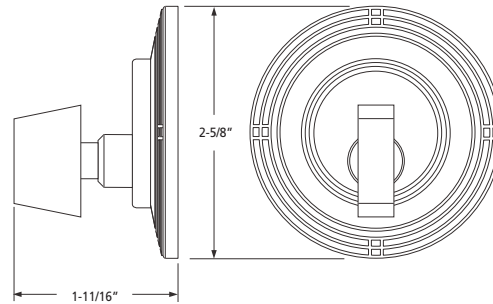
material

solid bronze
solid white bronze

DEADBOLTS



AUXILIARY



Note: for 2-1/8" bore installation

HOW TO ORDER

- 1 Specify application and collar size.
- 2 Specify finish. If split finish required, specify exterior/interior.
- 3 Specify door thickness. Standard thickness is 1-3/4".
- 4 Specify backset required. Standard is 2-3/8" (adjustable to 2-3/4")

REMEMBER...

- 1 Available for thick doors.
- 2 Should you require key alike, please specify.

Mortise Bolts

- 8775 Complete Mortise Bolt Set
- 8777 Mortise Bolt and Turnpiece w/ Plate
- 8779 Turnpiece and Plate

standard finishes

AZ | MB | NB
AI | AS | ST

premium finishes

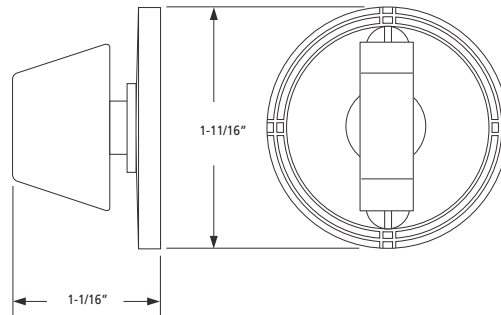
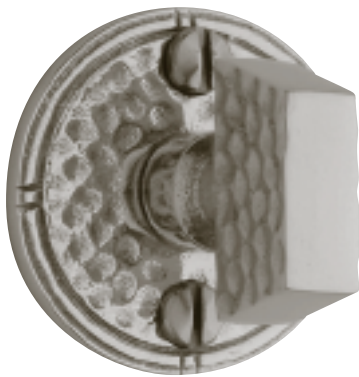
custom finishes available

price list

page 28

material

solid bronze
solid white bronze



MORTISE



BOLTS

HOW TO ORDER

- 1 Specify application.
- 2 Specify finish. If split finish required, specify exterior/interior.
- 3 Specify door thickness. Standard thickness is 1-3/4".
- 4 Specify backset required. Standard is 2-3/8".

REMEMBER...

- 1 Standard backset is 2-3/8". If required specify 2-3/4".
- 2 Available for thick doors.

Door Knockers, Door Bells

8780 Door Knocker

8783 Door Bell Escutcheon

standard finishes

AZ	MB	NB
AI	AS	ST

premium finishes

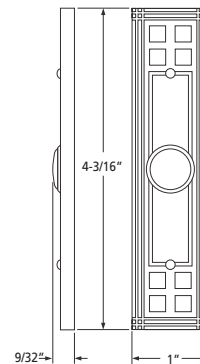
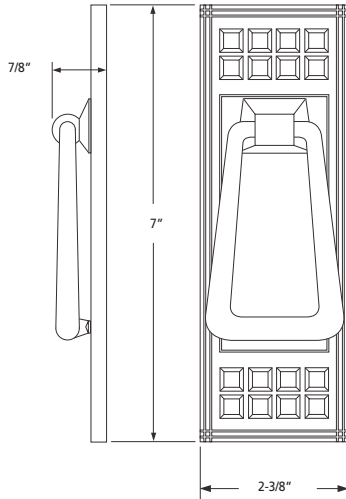
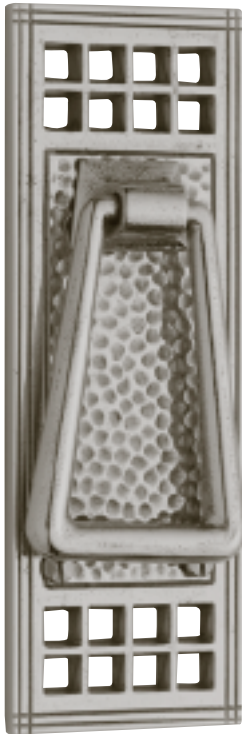
custom finishes available

price list

page 28

material

solid bronze
solid white bronze



DOOR BELLS

DOOR KNOCKERS

HOW TO ORDER

- 1 Specify application.
- 2 Specify finish. If split finish required, specify exterior/interior.
- 3 Specify door thickness. Standard thickness is 1-3/4".

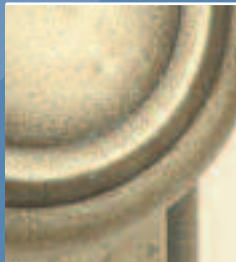
REMEMBER...

- 1 Available for thick doors.
- 2 Doorbell button NOT included.

montana

COLLECTION

Entrance Handle Setspage M-1
Entrance Knob Setspage M-2
Entrance Lever Setspage M-3
Multi Point Setspages M-4/5
Interior Escutcheon Setspages M-6/7
Knob Setspages M-8/9
Lever Setspages M-10/11
Push Plates/Pullspage M-12
Flush Pullspage M-13
Auxiliary Deadboltspage M-14
Mortise Boltspage M-15
Door Knocker/Door Bellpage M-16



MONTANA
finishes



aged iron (AI)



aged silver (AS)



aged bronze (AZ)



matte black (MB)



natural bronze (NB)



sterling (ST)

Custom finishes available.

Entrance Handle Sets

- 8800** Complete Entrance Handle Set
- 8802** Complete Entrance Handle Set – Thumbpiece x Thumbpiece
- 8804** Complete Entrance Handle Set (less lock)
- 8806** Complete Entrance Handle Set – Full Dummy
- 8807** Complete Entrance Handle Set – Thumbpiece x Thumbpiece – Full Dummy

Above sets include 8957 Lever

standard finishes

AZ | MB | NB
AI | AS | ST

premium finishes

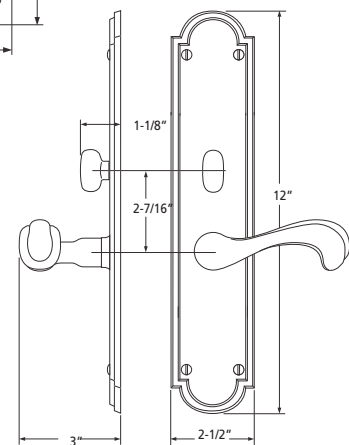
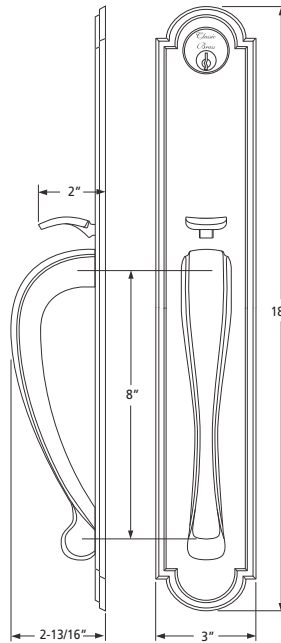
custom finishes available

price list

page 29

material

solid bronze
solid white bronze



ENTRANCE HANDLE SETS



HOW TO ORDER

- 1 Specify application.
- 2 Specify finish. If split finish required, please indicate exterior/interior.
- 3 Specify door thickness. Standard thickness is 1-3/4".
- 4 Specify hand of door – RH/LH.
- 5 Specify backset required. Standard is 2-1/2"

REMEMBER...

- 1 Standard mortise lock is 2-1/2" EE. Specify 2-3/4" if required.
- 2 Levers are standard. If knobs are required, specify part number.
- 3 All knobs and levers are interchangeable.
- 4 A door thickness greater than 1-3/4" will require a thick door kit.
- 5 Entrance handle sets are mortise lock ONLY.
- 6 Custom drilling is available.

Entrance Knob Sets

8810 Complete Knob Mortise Entrance Set

8811 Complete Knob Mortise Entrance Set - Full Dummy

8812 Complete Knob Latch x Auxiliary Deadbolt Set (5-1/2" c-c)

8813 Complete Knob Latch x Auxiliary Deadbolt Set - Full Dummy

Above sets include 8950 Knob

standard finishes

AZ | MB | NB
AI | AS | ST

premium finishes

custom finishes available

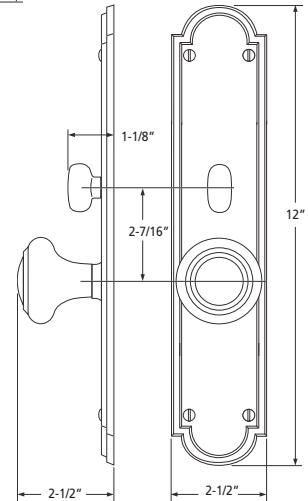
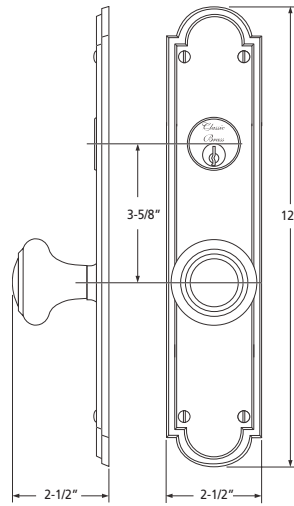
price list

page 29

material

solid bronze

solid white bronze



HOW TO ORDER

- 1 Specify application – mortise, latch x auxiliary deadbolt or full dummy.
- 2 Specify finish. If split finish required, please indicate exterior/interior.
- 3 Specify door thickness. Standard thickness is 1-3/4".
- 4 Specify hand of door – RH/LH.
- 5 Specify backset – standard for mortise lock is 2-1/2" – standard for auxiliary deadbolt is 2-3/8"

REMEMBER...

- 1 Standard mortise lock is 2-1/2" EE. Specify 2-3/4" if required.
- 2 Standard latch x auxiliary deadbolt – 5-1/2" c-c spacing and 2-3/8" backset. If required, specify 2-3/4" backset.
- 3 All knobs and levers are interchangeable.
- 4 A door thickness greater than 1-3/4" will require a thick door kit.
- 5 Custom drilling available.

KNOB SETS

ENTRANCE

Entrance Lever Sets

- 8820** Complete Lever Mortise Entrance Set
 - 8821** Complete Lever Mortise Entrance Set - Full Dummy
 - 8822** Complete Lever Latch x Auxiliary Deadbolt Set (5-1/2" c-c)
 - 8823** Complete Lever Latch x Auxiliary Deadbolt Set - Full Dummy
- Above sets include 8957 Lever*

standard finishes

AZ | MB | NB
AI | AS | ST

premium finishes

custom finishes available

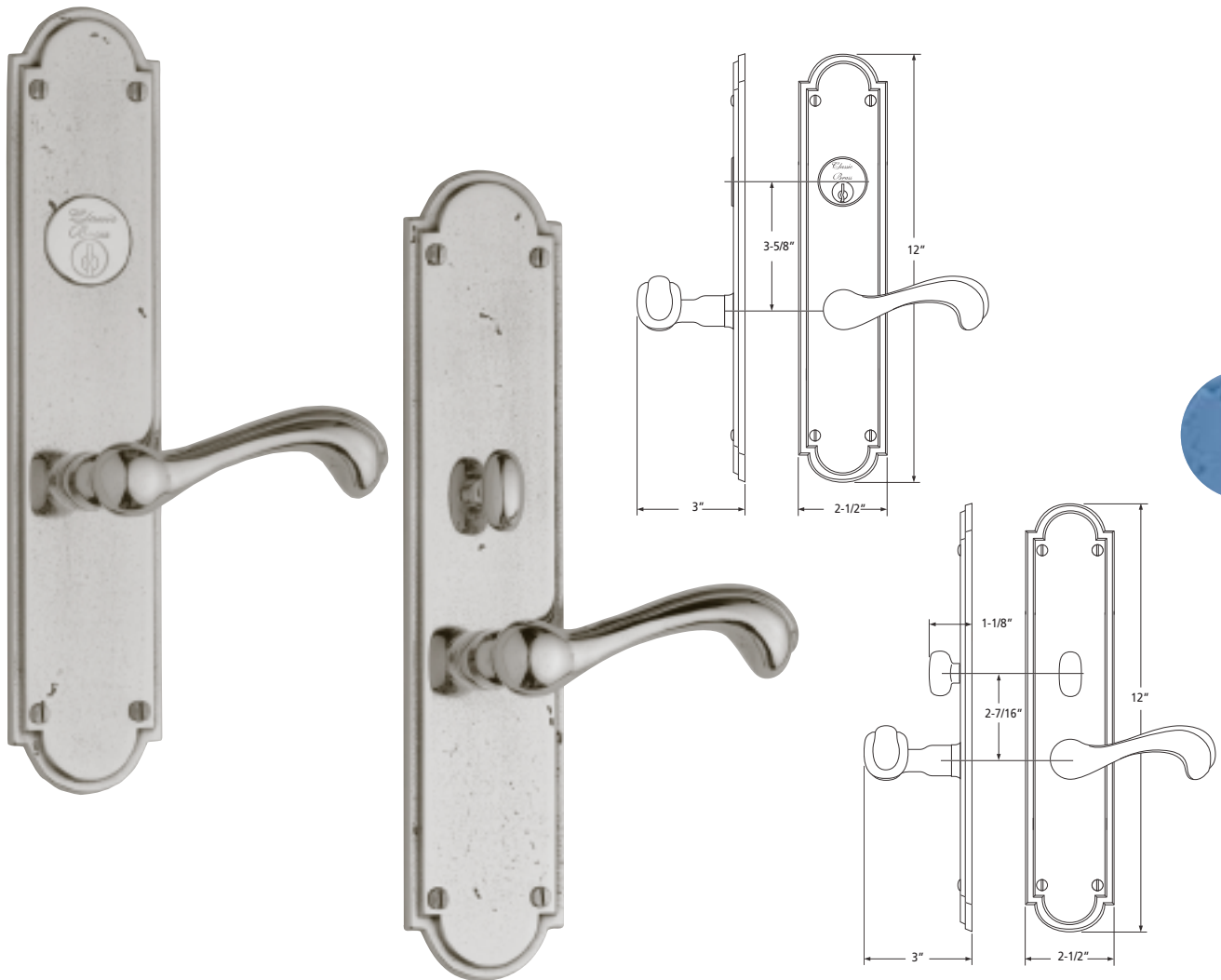
price list

page 29

material

solid bronze

solid white bronze



ENTRANCE

LEVER SETS

SET COMPONENTS

Complete Entrance Knob (Lever) Set – Mortise Lock includes exterior plate, interior plate with turnpiece, two knobs (levers), 4" swivel spindle (8mm), single cylinder mortise lock (2-1/2" backset) w/EE function, faceplate, strike, dust box, mortise cylinder and mounting hardware.

Complete Entrance Knob (Lever) Set – Latch x Auxiliary Deadbolt includes exterior plate, interior plate, two knobs (levers), passage latch (2-3/8"), 4" straight spindle (8mm), auxiliary deadbolt (2-3/8"), rim cylinder, turnpiece, latch faceplate, deadbolt faceplate, full lip strike, deadbolt strike, dust boxes and mounting hardware. **NOTE:** our standard spacing between knob (lever) hub and auxiliary deadbolt is 5-1/2" c-c

Complete Entrance Knob (Lever) Set – Full Dummy includes exterior plate, interior plate, two knobs (levers), 4" straight spindle (8mm) and mounting hardware.

Multi Point Sets – American Profile

1-3/4" x 10" Multi Point Sets

- 8864 Multi Point Complete Set
- 8865 Multi Point Full Dummy Set
- 8866 Multi Point Active Dummy Set
- 8867 Multi Point Patio Set

Above sets include 8957 Lever

2-1/2" x 12" Multi Point Sets

- 8870 Multi Point Complete Set
- 8871 Multi Point Full Dummy Set
- 8872 Multi Point Active Dummy Set
- 8873 Multi Point Patio Set

Above sets include 8957 Lever

standard finishes

AZ	MB	NB
AI	AS	ST

premium finishes

custom finishes available

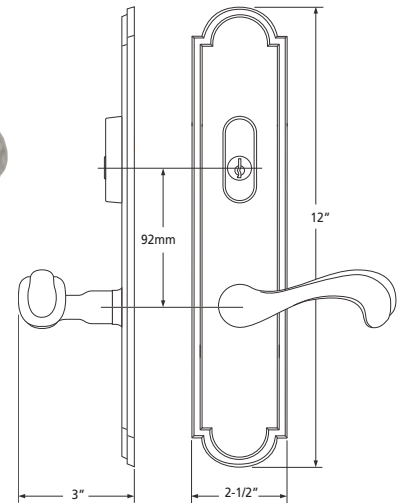
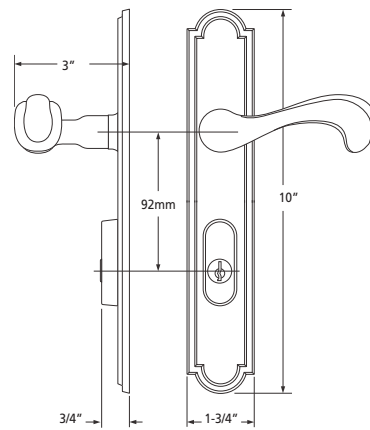
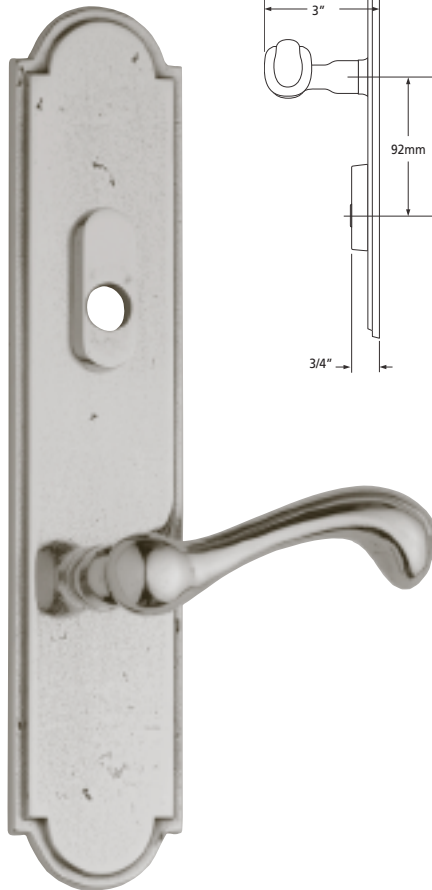
price list

page 29

material

solid bronze

solid white bronze



AMERICAN

MULTI POINT

HOW TO ORDER

- 1 Specify application.
- 2 Specify finish. If split finish required, please indicate exterior/interior.
- 3 Specify door thickness. Standard thickness is 1-3/4".
- 4 Specify hand of door – RH/LH.
- 5 See Multi Point Check Sheet (form 500) for additional information.
- 6 Specify fixed or active exterior lever when ordering active dummy set.

REMEMBER...

- 1 Standard euro profile applications: lever high – 92mm spacing.
- 2 Standard american cylinder applications: lever high – 92mm spacing.
- 3 Specify lever low or custom c-c spacing required.
- 4 All levers are interchangeable.
- 5 Door thickness greater than 1-3/4" will require longer euro cylinders.
- 6 Cylinders INCLUDED w/all applications (collection turnpiece attached).
- 7 Strike not included.
- 8 Euro Offset Cylinders available upon request - contact us.

Multi Point Sets – Euro Profile

1-3/4" x 10" Multi Point Sets

- 8850 Multi Point Complete Set
- 8851 Multi Point Full Dummy Set
- 8852 Multi Point Active Dummy Set
- 8853 Multi Point Patio Set

Above sets include 8957 Lever

2-1/2" x 12" Multi Point Sets

- 8856 Multi Point Complete Set
- 8857 Multi Point Full Dummy Set
- 8858 Multi Point Active Dummy Set
- 8859 Multi Point Patio Set

Above sets include 8957 Lever

standard finishes

AZ | MB | NB
AI | AS | ST

premium finishes

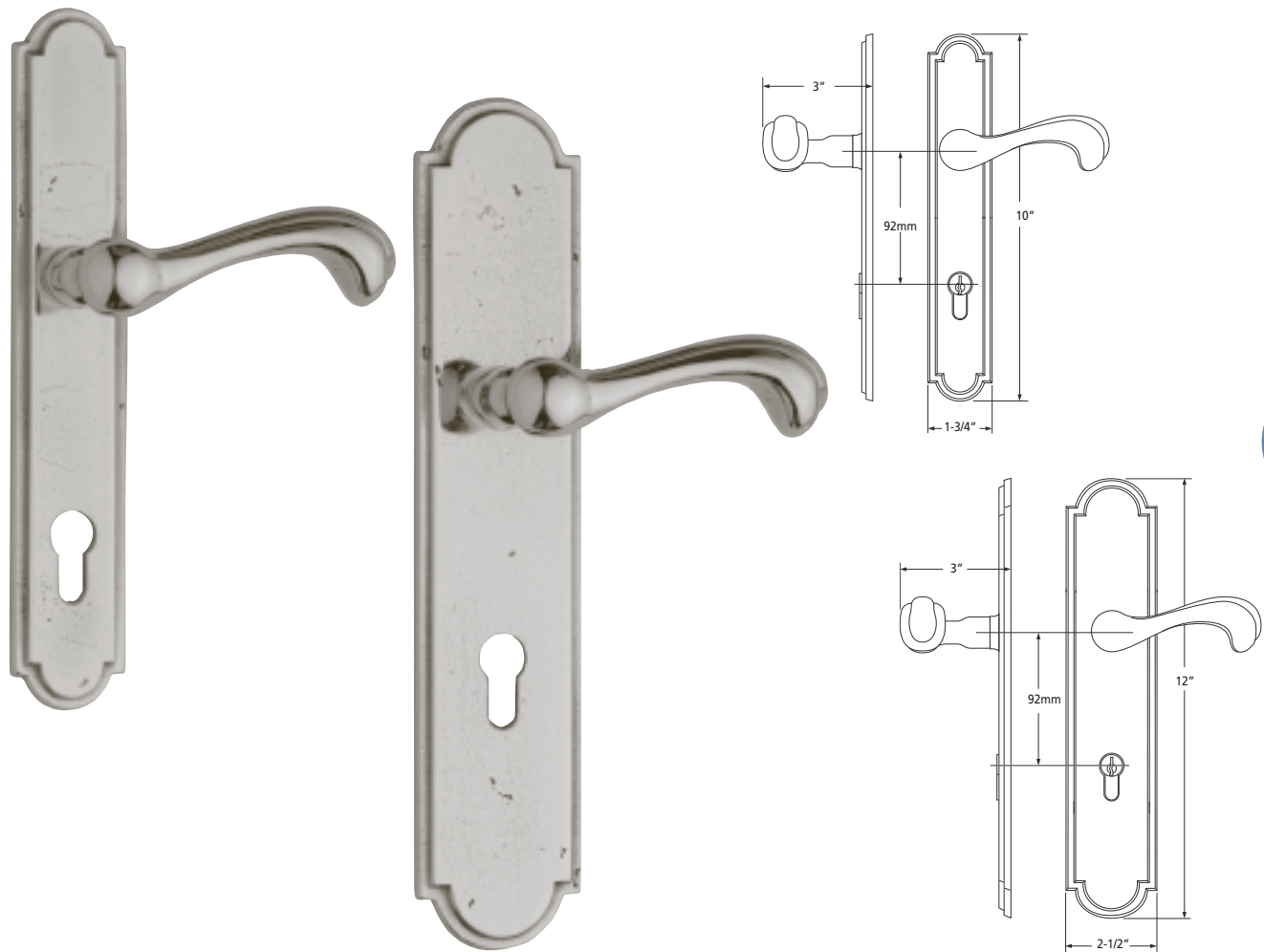
custom finishes available

price list

page 29

material

solid bronze
solid white bronze



MULTI POINT

EUROPEAN

SET COMPONENTS

Multi Point Complete Set – Euro (American) Profile includes two escutcheons, one pair of levers, 4" straight spindle, europrofile cylinder - 62mm - kxtp (american profile cylinder) and mounting hardware. NOTE: standard spacing between lever hub and the profile cylinder is 92mm.

Multi Point Full Dummy Set – Euro (American) Profile includes two escutcheons, one pair of levers, 4" straight spindle (8mm), two dummy mount plates and mounting hardware.

Multi Point Active Dummy Set – Euro (American) Profile includes two escutcheons, one pair of levers, 4" straight spindle (8mm) and mounting hardware.

Multi Point Patio Set – Euro (American) Profile includes exterior escutcheon, interior escutcheon (for American profile application turnpiece with tailpiece attached to escutcheon), one pair of levers, 4" straight spindle (8mm), Europrofile half cylinder - 31mm and mounting hardware. NOTE: standard spacing between lever hub and the profile cylinder is 92 mm.

Interior Escutcheon Sets – Knob

1-3/4" x 10" Escutcheon Sets

- 8824** Interior Knob Set – Passage
- 8825** Interior Knob Set – Latch x Mortise Bolt
- 8826** Interior Knob Set – Full Dummy
- 8827** Interior Knob Set – Half Dummy

Above sets include 8950 Knob

2-1/2" x 12" Escutcheon Sets

- 8832** Interior Knob Set – Passage
- 8833** Interior Knob Set – Privacy
- 8835** Interior Knob Set – Latch x Mortise Bolt
- 8837** Interior Knob Set – Full Dummy
- 8838** Interior Knob Set – Half Dummy

Above sets include 8950 Knob

standard finishes

AZ	MB	NB
AI	AS	ST

premium finishes

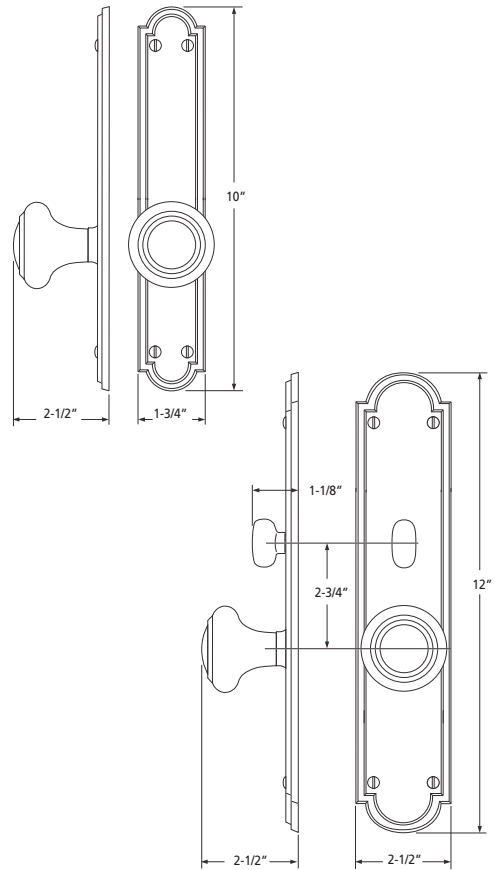
custom finishes available

price list

page 30

material

solid bronze
solid white bronze



HOW TO ORDER

- 1 Specify application.
- 2 Specify finish. If split finish required, please indicate exterior/interior.
- 3 Specify door thickness. Standard thickness is 1-3/4".
- 4 Specify hand of door – RH/LH.
- 5 Specify backset required. Standard is 2-3/8".

REMEMBER...

- 1 Consider utilizing an interior mortise lock for quality installations.
- 2 All knobs & levers are interchangeable.
- 3 FULL LIP strikes are standard. Specify SUB 'T' strike, if required.
- 4 Standard backset is 2-3/8". If required specify 2-3/4".
- 5 Combination strike and faceplate available for latch x mortise bolt function.
- 6 Custom drilling available.

ESCUTCHEONS

INTERIOR

Interior Escutcheon Sets – Lever

1-3/4" x 10" Escutcheon Sets

- 8828 Interior Lever Set – Passage
- 8829 Interior Lever Set – Latch x Mortise Bolt
- 8830 Interior Lever Set – Full Dummy
- 8831 Interior Lever Set – Half Dummy

Above sets include 8957 Lever

2-1/2" x 12" Escutcheon Sets

- 8842 Interior Lever Set – Passage
- 8843 Interior Lever Set – Privacy
- 8845 Interior Lever Set – Latch x Mortise Bolt
- 8847 Interior Lever Set – Full Dummy
- 8848 Interior Lever Set – Half Dummy

Above sets include 8957 Lever

standard finishes

AZ | MB | NB
AI | AS | ST

premium finishes

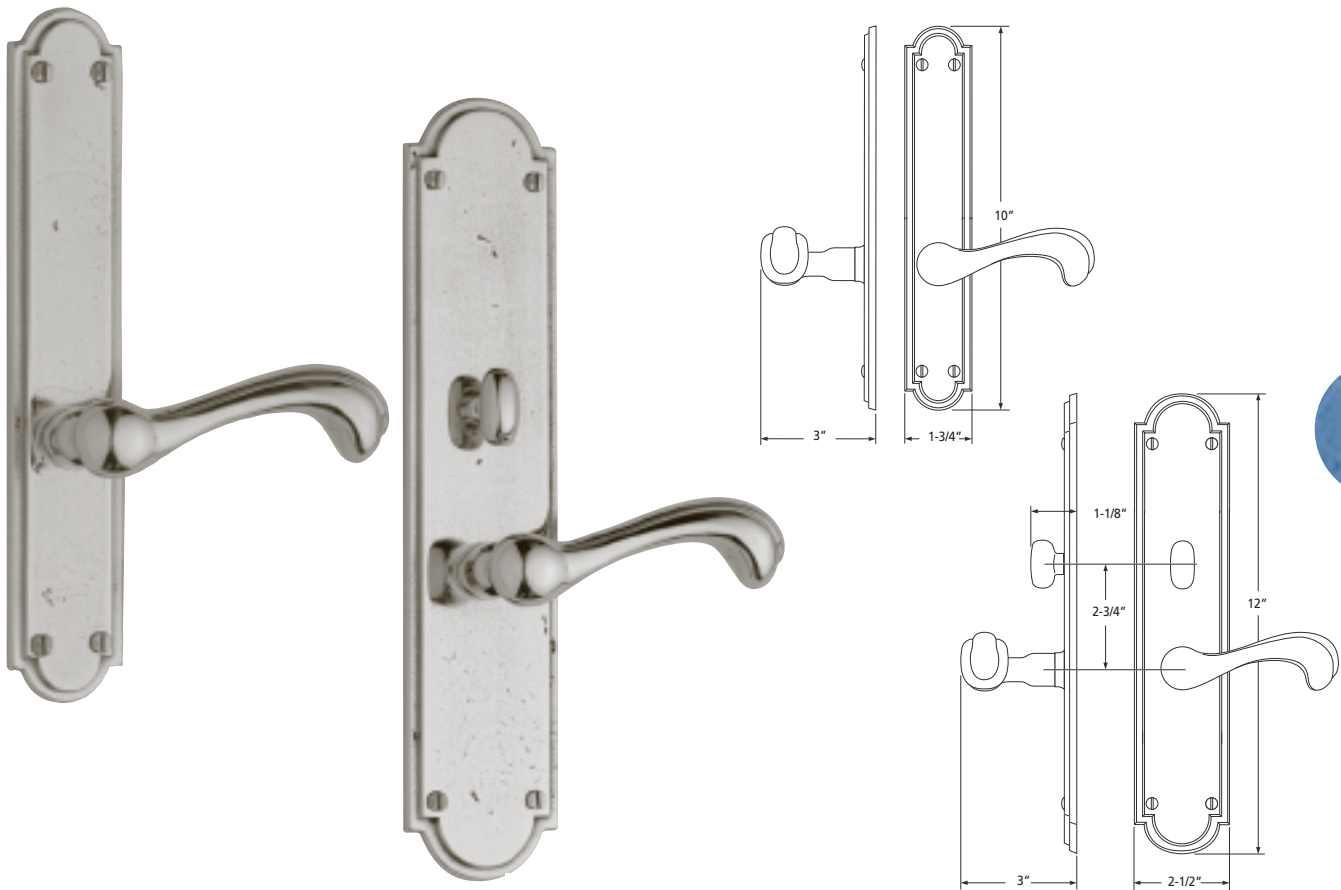
custom finishes available

price list

page 30

material

solid bronze
solid white bronze



INTERIOR ESCUTCHEONS

SET COMPONENTS

Interior Escutcheon Knob (Lever) Set – Passage includes two escutcheons, two knobs (levers), 4" straight spindle (8mm), passage latch (2-3/8" backset), faceplate, full lip strike, dust box and mounting hardware.

Interior Escutcheon Knob (Lever) Set – Privacy includes two escutcheons with privacy pin hole, two knobs (levers), one 4" swivel spindle (8mm), privacy latch (2-3/8" backset), privacy pin, faceplate, full lip strike, dust box and mounting hardware.

Interior Escutcheon Knob (Lever) Set – Passage Latch x Mortise Bolt includes an exterior escutcheon with emergency egress hole, an interior escutcheon with turnpiece attached, two knobs (levers), 4" straight spindle (8mm), passage latch (2-3/8" backset), latch faceplate, full lip strike, mortise bolt (2-3/8" backset), mortise bolt faceplate, mortise bolt strike, dust box and mounting hardware. NOTE: standard spacing between knob (lever) hub and mortise bolt hub is 2-3/4" c-c.

Interior Escutcheon Knob (Lever) Set – Full Dummy includes two escutcheons, two knobs (levers), 4" straight spindle (8mm), two dummy mounting plates and mounting hardware.

Interior Escutcheon Knob (Lever) Set – Half Dummy includes an escutcheon, knob (lever), dummy mount spindle and mounting hardware.

Interior Knob Sets – 2¼”

- 8902 Knob and Rosette - Passage Set
- 8907 Knob and Rosette - Privacy Set
- 8914 Knob and Rosette - Full Dummy
- 8918 Knob and Rosette - Half Dummy

- 8924 Knob and Rosette Only - Passage
- 8928 Knob and Rosette Only - Privacy
- 8950 Knob Only
- 8961 Rosette Only - Passage

standard finishes

AZ	MB	NB
AI	AS	ST

premium finishes

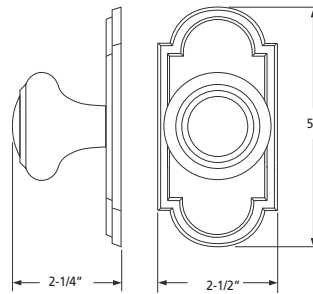
custom finishes available

price list

page 30-31

material

solid bronze
solid white bronze



Interior Knob Sets – 3”

- 8904 Knob and Rosette - Passage Set
- 8909 Knob and Rosette - Privacy Set
- 8916 Knob and Rosette - Full Dummy
- 8920 Knob and Rosette - Half Dummy

- 8926 Knob and Rosette Only - Passage
- 8930 Knob and Rosette Only - Privacy
- 8952 Knob Only
- 8963 Rosette Only - Passage

standard finishes

AZ	MB	NB
AI	AS	ST

premium finishes

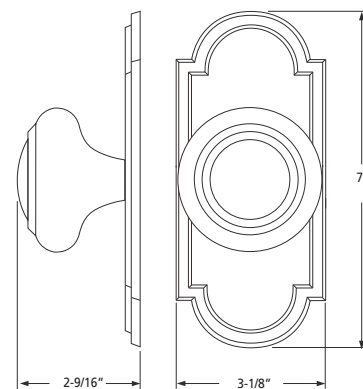
custom finishes available

price list

page 30-31

material

solid bronze
solid white bronze



HOW TO ORDER

- 1 Specify application.
- 2 Specify finish. If split finish required, please indicate exterior/interior.
- 3 Specify door thickness. Standard thickness is 1-3/8”.
- 4 Specify backset. Standard backset is 2-3/8”.
- 5 Specify hand of door – RH/LH – if split finish required.
- 6 Specify if pre-drilled adapters are required. (part #9749)

REMEMBER...

- 1 FULL LIP strikes are standard. Specify SUB 'T' strike, if required.
- 2 Consider utilizing an interior mortise lock for quality installations.
- 3 All knobs, levers and roses are interchangeable.
- 4 Standard backset 2-3/8”. If required specify 2-3/4” backset.
- 5 Lever strength latches will be supplied with all large knobs.

KNOB SETS

INTERIOR

Interior Knob Sets – 2 1/4”

- 8905 Knob and Rose - Passage Set
- 8910 Knob and Rose - Privacy Set
- 8917 Knob and Rose - Full Dummy
- 8921 Knob and Rose - Half Dummy

- 8950 Knob Only
- 8962 Rosette Only - Passage

NEW ITEMS

13

standard finishes

AZ | MB | NB
AI | AS | ST

premium finishes

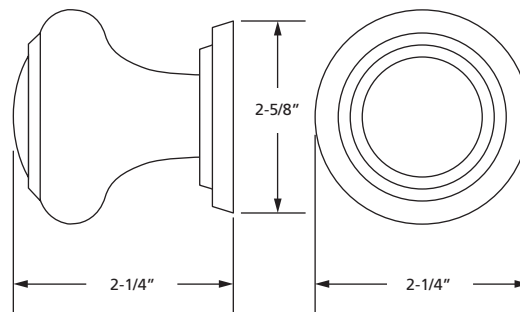
custom finishes available

price list

page 30-31

material

solid bronze
solid white bronze



INTERIOR KNOB SETS

SET COMPONENTS

Knob (Lever) and Rosette – Passage Set includes two rosettes (passage), two knobs (levers), passage latch (2-3/8” backset), full lip strike, latch faceplate, 4” straight spindle (8mm), two rosette mount plates, two rosette mount plate hubs, dust box and mounting hardware.

NOTE: if required, order pre-drilled adapter (part # 9749) separately.

Knob (Lever) and Rosette – Privacy Set includes two rosettes (privacy), two knobs (levers), privacy latch (2-3/8” backset), full lip strike, latch faceplate, 4” swivel spindle (8mm), two rosette mount plates, two rosette mount plate hubs, privacy pin, dust box and mounting hardware.

NOTE: if required, order pre-drilled adapter (part # 9749) separately.

Knob (Lever) and Rosette – Full Dummy includes two rosettes, two knobs (levers), 4” straight spindle (8mm), two dummy rosette mount plates, two rosette mount plate hubs, and mounting hardware.

Knob (Lever) and Rosette – Half Dummy includes rosette, knob (lever), dummy mount spindle, rosette mount plate hub and mounting hardware.

Interior Lever Sets

8932	Lever and Rosette - Passage Set	8941	Lever and Rosette Only - Passage
8934	Lever and Rosette - Privacy Set	8944	Lever and Rosette Only - Privacy
8936	Lever and Rosette - Full Dummy	8957	Lever Only
8938	Lever and Rosette - Half Dummy	8961	Rosette Only - Passage

standard finishes

AZ | MB | NB
AI | AS | ST

premium finishes

custom finishes available

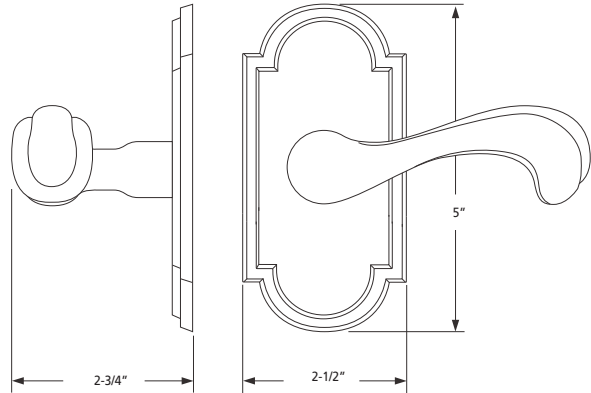
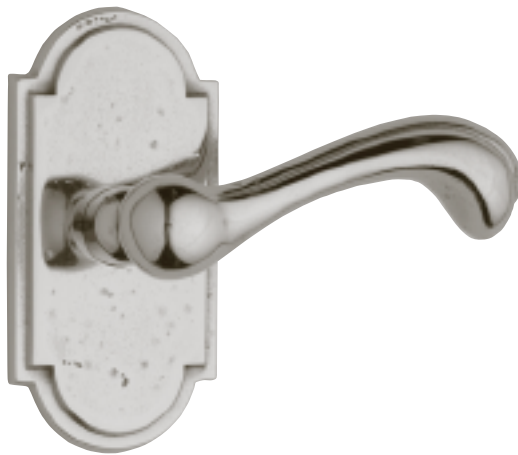
price list

page 31

material

solid bronze
solid white bronze

LEVER SETS



INTERIOR

HOW TO ORDER

- 1 Specify application.
- 2 Specify finish. If split finish required, please indicate exterior/interior.
- 3 Specify door thickness. Standard thickness is 1-3/8".
- 4 Specify backset. Standard backset is 2-3/8".
- 5 Specify hand of door – RH/LH – if split finish required.
- 6 Specify if pre-drilled adapters are required. (part #9749)

REMEMBER...

- 1 FULL LIP strikes are standard. Specify SUB 'T' strike, if required.
- 2 Consider utilizing an interior mortise lock for quality installations.
- 3 All knobs, levers and roses are interchangeable.
- 4 Standard backset 2-3/8". If required specify 2-3/4" backset.
- 5 Lever strength latches will be supplied with all large knobs.

Interior Lever Sets

- 8933 Lever and Rosette - Passage Set
- 8935 Lever and Rosette - Privacy Set
- 8937 Lever and Rosette - Full Dummy
- 8939 Lever and Rosette - Half Dummy

- 8957 Lever Only
- 8962 Rosette Only - Passage

NEW ITEMS



standard finishes

AZ	MB	NB
AI	AS	ST

premium finishes

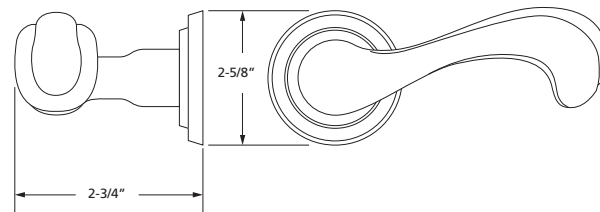
custom finishes available

price list

page 31

material

solid bronze
solid white bronze



INTERIOR

LEVER SETS

SET COMPONENTS

Knob (Lever) and Rosette – Passage Set includes two rosettes (passage), two knobs (levers), passage latch (2-3/8" backset), full lip strike, latch faceplate, 4" straight spindle (8mm), two rosette mount plates, two rosette mount plate hubs, dust box and mounting hardware.

NOTE: if required, order pre-drilled adapter (part # 9749) separately.

Knob (Lever) and Rosette – Privacy Set includes two rosettes (privacy), two knobs (levers), privacy latch (2-3/8" backset), full lip strike, latch faceplate, 4" swivel spindle (8mm), two rosette mount plates, two rosette mount plate hubs, privacy pin, dust box and mounting hardware.

NOTE: if required, order pre-drilled adapter (part # 9749) separately.

Knob (Lever) and Rosette – Full Dummy includes two rosettes, two knobs (levers), 4" straight spindle (8mm), two dummy rosette mount plates, two rosette mount plate hubs, and mounting hardware.

Knob (Lever) and Rosette – Half Dummy includes rosette, knob (lever), dummy mount spindle, rosette mount plate hub and mounting hardware.

Pulls, Push Plates & Pull Plates

8889 Pull (8" c-c)

8881 Push Plate (1-3/4 x 10")

8882 Push Plate (2-1/2" x 12")

8883 Push Plate (3" x 18")

8885 Pull Plate (2-1/2" x 12") (includes 8889 Pull)

8886 Pull Plate (3" x 18") (includes 8889 Pull)

standard finishes

AZ | MB | NB
AI | AS | ST

premium finishes

custom finishes available

price list

page 31

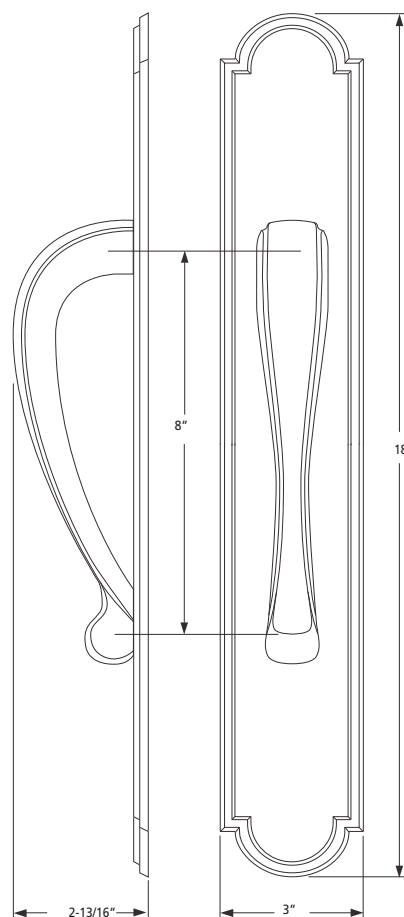
material

solid bronze

solid white bronze

PULL PLATES

PULLS, PUSH PLATES



HOW TO ORDER

- 1 Specify application.
- 2 Specify finish.
- 3 Specify door thickness. Standard thickness is 1-3/4".

REMEMBER...

- 1 Back-to-back applications available for pulls and pull plates. Specify part # 9958 for upcharge
- 2 Custom drilling available.

Flush Pulls

- 8892 Flush Pull Only (2-1/2" x 12")
- 8893 Flush Pull w/turnpiece (2-1/2" x 12")
- 8894 Flush Pull w/cylinder hole (2-1/2" x 12")

- 8895 Complete Flush Pull Set - Passage w/9730
- 8896 Complete Flush Pull Set - Passage w/Accurate 2000
- 8897 Complete Flush Pull Set - Privacy w/Accurate 2002

standard finishes

AZ	MB	NB
AI	AS	ST

premium finishes

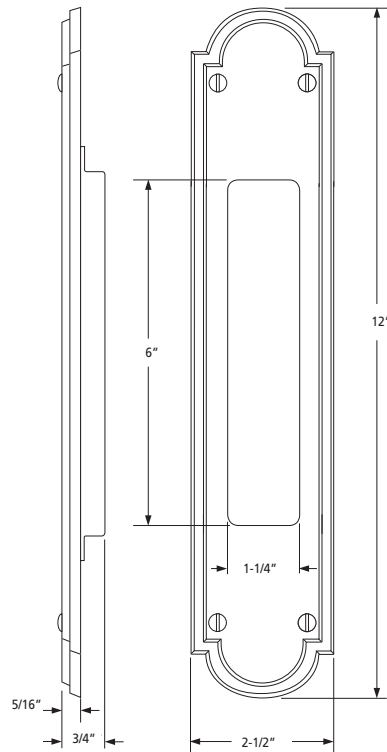
custom finishes available

price list

page 31

material

solid bronze
solid white bronze



FLUSH PULLS



HOW TO ORDER

- 1 Specify application.
- 2 Specify finish.
- 3 Specify door thickness. Standard thickness is 1-3/4".

REMEMBER...

- 1 Verify jamb clearance for escutcheon projection.
- 2 Edge pulls available - Standard or Mortise.
- 3 Edge Pull locks, Edge Pulls, and Cylinders must be ordered separately.

Auxiliary Deadbolts

8970 Complete Auxiliary Deadbolt Set
(Key & Turnpiece)

8971 Complete Auxiliary Deadbolt Set
(Key & Key)

standard finishes

AZ	MB	NB
AI	AS	ST

premium finishes

custom finishes available

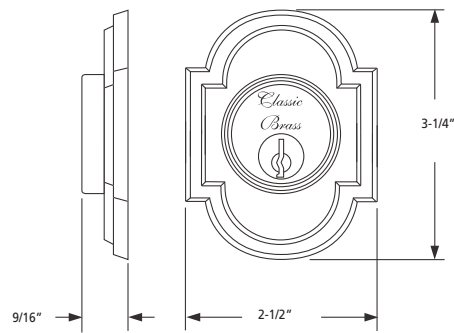
price list

page 32

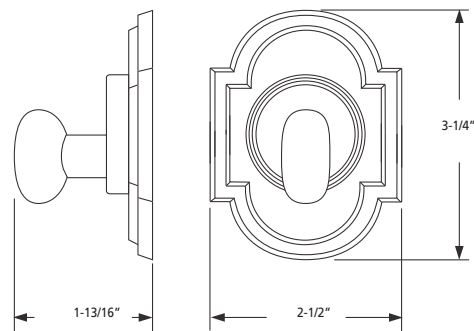
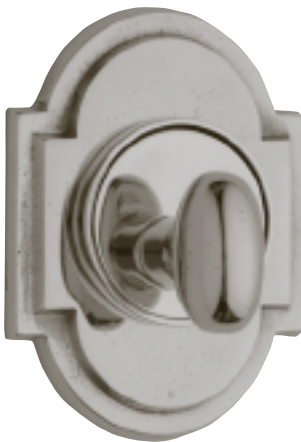
material

solid bronze
solid white bronze

DEADBOLTS



AUXILIARY



Note: for 2-1/8" bore installation

HOW TO ORDER

- 1 Specify application and collar size.
- 2 Specify finish. If split finish required, specify exterior/interior.
- 3 Specify door thickness. Standard thickness is 1-3/4".
- 4 Specify backset required. Standard is 2-3/8" (adjustable to 2-3/4")

REMEMBER...

- 1 Available for thick doors.
- 2 Should you require key alike, please specify.

Mortise Bolts

- 8975 Complete Mortise Bolt Set
- 8977 Mortise Bolt and Turnpiece w/ Plate
- 8979 Turnpiece and Plate

standard finishes

AZ | MB | NB
AI | AS | ST

premium finishes

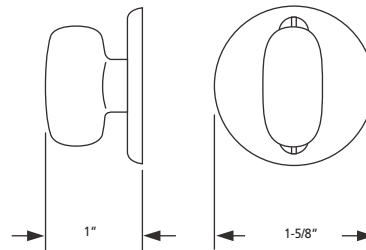
custom finishes available

price list

page 32

material

solid bronze
solid white bronze



M
O
R
T
I
S
E

B
O
L
T
S



HOW TO ORDER

- 1 Specify application.
- 2 Specify finish. If split finish required, specify exterior/interior.
- 3 Specify door thickness. Standard thickness is 1-3/4".
- 4 Specify backset required. Standard is 2-3/8".

REMEMBER...

- 1 Standard backset is 2-3/8". If required specify 2-3/4".
- 2 Available for thick doors.

Door Knockers, Door Bells

8980 Door Knocker

8983 Door Bell Escutcheon

standard finishes

AZ	MB	NB
AI	AS	ST

premium finishes

custom finishes available

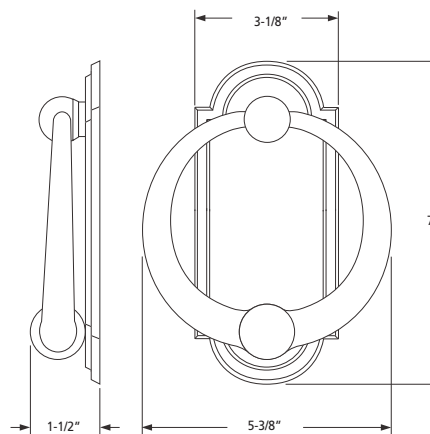
price list

page 32

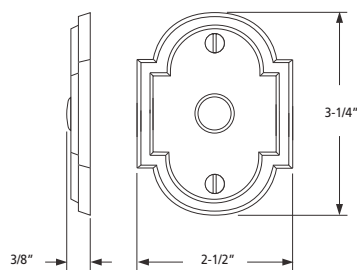
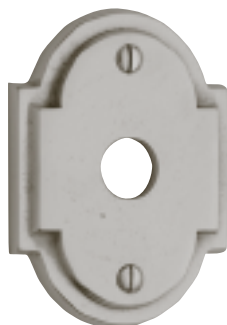
material

solid bronze
solid white bronze

DOOR BELLS



DOOR KNOCKERS



HOW TO ORDER

- 1 Specify application.
- 2 Specify finish. If split finish required, specify exterior/interior.
- 3 Specify door thickness. Standard thickness is 1-3/4".

REMEMBER...

- 1 Available for thick doors.
- 2 Doorbell button NOT included.

hinges

Residential Grade Hingespage HI-1
Architectural Grade Hinges . .page HI-2/3

STANDARD BRASS FINISHES

Level I

(AB)	Antique Brass	US5
(ABB)	Antique Burnished Brass (Wax)	
(BB)	Burnished Brass (Wax)	
(BZ)	Oil Rubbed Bronze	US10B
(KN)	Kensington (Wax)	
(PA)	Polished Antique	US7
(PB)	Polished Brass	US3
(PBNL)	Polished Brass – No Lacquer**	US3A
(TN)	Tarnished (Wax)	
(WB)	Weathered Brass	
(WZ)	Weathered Bronze	

Level II

(ABN)	Antique Burnished Nickel (Wax)	
(AN)	Antique Nickel	
(AP)	Antique Pewter	US15A
(BN)	Burnished Nickel (Wax)	
(MB)	Matte Black	US19
(NC)	Nickel Copper	
(PC)	Polished Chrome	US26
(PN)	Polished Nickel	US14
(SN)	Satin Nickel	US15
(WA)	Weathered Antique Nickel	
(WC)	Weathered Copper	
(WN)	Weathered Nickel	
(WP)	Weathered Antique Pewter	

PREMIUM FINISHES

(APS)	Antique Polished Silver (Wax)
(APN)	Antique Polished Nickel (Wax)
(PB-PVD)	Polished Brass – PVD
(PS)	Polished Silver (Wax)
(SS)	Satin Silver (Wax)
(SCR)	Satin Copper (Wax)
(PCR)	Polished Copper (Wax)
(SC)	Satin Chrome

Other custom finishes available. Contact us to discuss your requirements.

Gold Plating pricing available upon request

** No lacquer



BUTTON FINIAL



BALL FINIAL



URN FINIAL



STEEPLE FINIAL



CATHEDRAL FINIAL



SCEPTER FINIAL

Residential Grade Hinges

standard finishes

AB | ABB | BB | BZ | KN | PA | PB | PBNL | TN | WB | WZ |
 ABN | AN | AP | BN | MB | NC | PC | PN | SN | WA | WC | WN | WP

premium finishes

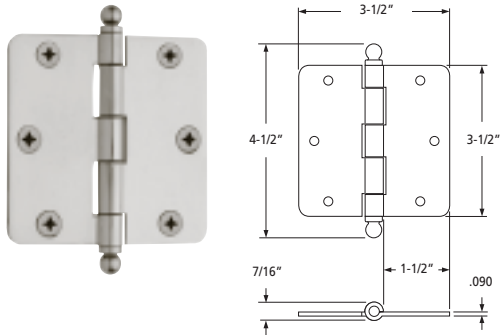
APS | APN | PB-PVD | PS | SS | SCR | PCR | SC
 gold plating available upon request

price list

page 33

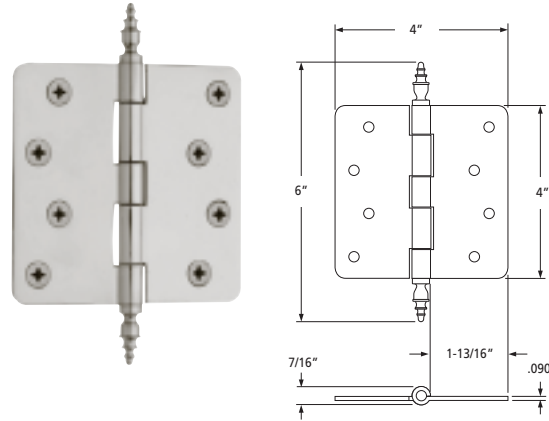
material

solid brass



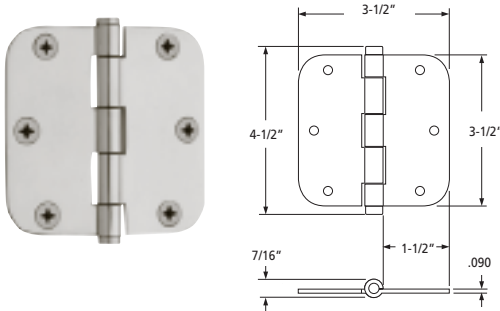
Supplied with #10 x 1" Brass
 Phil Flat Head Undercut Type A

- 9653 3-1/2" x 3-1/2" - 1/4" Radius Button Finial
- 9655 3-1/2" x 3-1/2" - 1/4" Radius Ball Finial
- 9657 3-1/2" x 3-1/2" - 1/4" Radius Urn Finial



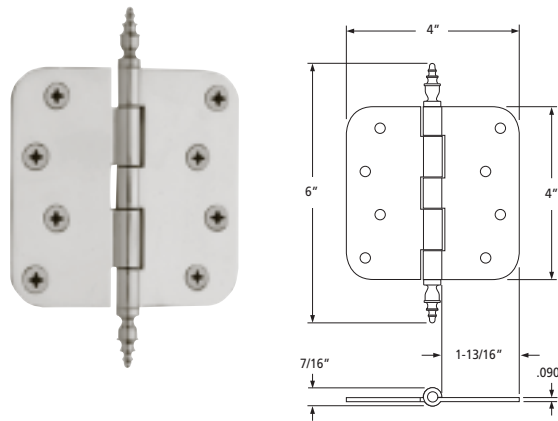
Supplied with #10 x 1" Brass
 Phil Flat Head Undercut Type A

- 9663 4" x 4" - 1/4" Radius Button Finial
- 9665 4" x 4" - 1/4" Radius Ball Finial
- 9667 4" x 4" - 1/4" Radius Urn Finial



Supplied with #10 x 1" Brass
 Phil Flat Head Undercut Type A

- 9673 3-1/2" x 3-1/2" - 5/8" Radius Button Finial
- 9675 3-1/2" x 3-1/2" - 5/8" Radius Ball Finial
- 9677 3-1/2" x 3-1/2" - 5/8" Radius Urn Finial



Supplied with #10 x 1" Brass
 Phil Flat Head Undercut Type A

- 9683 4" x 4" - 5/8" Radius Button Finial
- 9685 4" x 4" - 5/8" Radius Ball Finial
- 9687 4" x 4" - 5/8" Radius Urn Finial

HOW TO ORDER

- 1 Specify radius (1/4" or 5/8")
- 2 Specify hinge size.
- 3 Specify finial.
- 4 Specify finish.

REMEMBER...

- 1 NRP Hinges are available. Upcharge will apply.

RESIDENTIAL

HINGES



Architectural Grade Hinges

standard finishes

AB|ABB|BB|BZ|KN|PA|PB|PBNL|TN|WB|WZ|
ABN|AN|AP|BN|MB|NC|PC|PN|SN|WA|WC|WN|WP

premium finishes

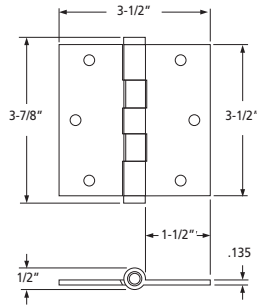
APS|APN|PB-PVD|PS|SS|SCR|PCR|SC
gold plating available upon request

price list

page 33

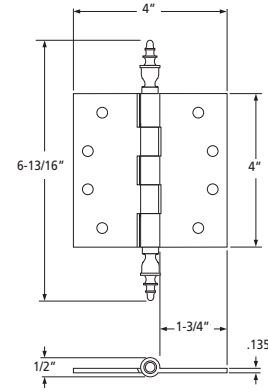
material

solid brass



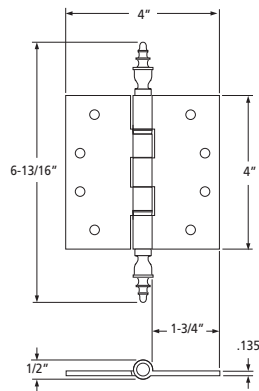
Supplied with #12 x 1-1/4" Brass
Phil Flat Head Undercut Type A

- 9602** 3-1/2" x 3-1/2" – Standard Button Finial
- 9604** 3-1/2" x 3-1/2" – Standard Ball Finial
- 9608** 3-1/2" x 3-1/2" – Standard Urn Finial



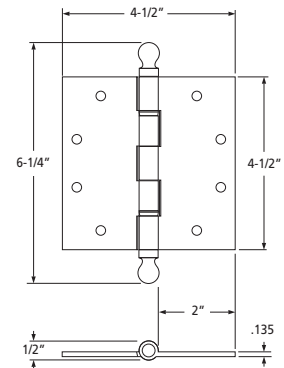
Supplied with #12 x 1-1/4" Brass
Phil Flat Head Undercut Type A

- 9612** 4" x 4" – Standard Button Finial
- 9614** 4" x 4" – Standard Ball Finial
- 9618** 4" x 4" – Standard Urn Finial



Supplied with #12 x 1-1/4" Brass
Phil Flat Head Undercut Type A

- 9622** 4" x 4" – Ball Bearing Button Finial
- 9624** 4" x 4" – Ball Bearing Ball Finial
- 9628** 4" x 4" – Ball Bearing Urn Finial



Supplied with #12 x 1-1/4" Brass
Phil Flat Head Undercut Type A

- 9632** 4-1/2" x 4-1/2" – Ball Bearing Button Finial
- 9634** 4-1/2" x 4-1/2" – Ball Bearing Ball Finial
- 9638** 4-1/2" x 4-1/2" – Ball Bearing Urn Finial

HOW TO ORDER

- 1 Specify application – standard or ball bearing.
- 2 Specify hinge size.
- 3 Specify finial.
- 4 Specify finish.

REMEMBER...

- 1 NRP Hinges are available. Upcharge will apply.
- 2 Contact us for your larger or custom size hinges.
- 3 Architectural hinges can be modified for radius corners.

Architectural Grade Hinges

standard finishes

AB | ABB | BB | BZ | KN | PA | PB | PBNL | TN | WB | WZ |
 ABN | AN | AP | BN | MB | NC | PC | PN | SN | WA | WC | WN | WP

premium finishes

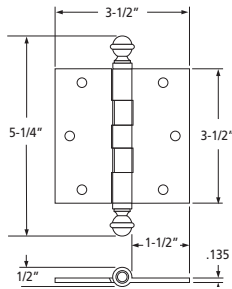
APS | APN | PB-PVD | PS | SS | SCR | PCR | SC
 gold plating available upon request

price list

page 33

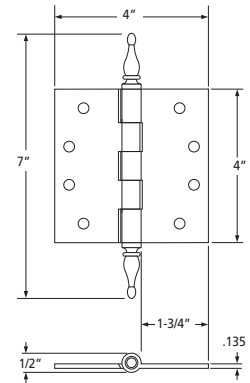
material

solid brass



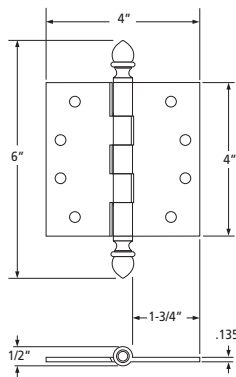
Supplied with #12 x 1-1/4" Brass
 Phil Flat Head Undercut Type A

- 9601 3-1/2" x 3-1/2" – Standard Steeple Finial
- 9603 3-1/2" x 3-1/2" – Standard Scepter Finial
- 9605 3-1/2" x 3-1/2" – Standard Cathedral Finial



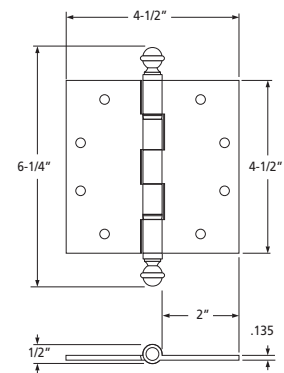
Supplied with #12 x 1-1/4" Brass
 Phil Flat Head Undercut Type A

- 9611 4" x 4" – Standard Steeple Finial
- 9613 4" x 4" – Standard Scepter Finial
- 9615 4" x 4" – Standard Cathedral Finial



Supplied with #12 x 1-1/4" Brass
 Phil Flat Head Undercut Type A

- 9621 4" x 4" – Ball Bearing Steeple Finial
- 9623 4" x 4" – Ball Bearing Scepter Finial
- 9625 4" x 4" – Ball Bearing Cathedral Finial



Supplied with #12 x 1-1/4" Brass
 Phil Flat Head Undercut Type A

- 9631 4-1/2" x 4-1/2" – Ball Bearing Steeple Finial
- 9633 4-1/2" x 4-1/2" – Ball Bearing Scepter Finial
- 9635 4-1/2" x 4-1/2" – Ball Bearing Cathedral Finial

HOW TO ORDER

- 1 Specify application – standard or ball bearing.
- 2 Specify hinge size.
- 3 Specify finial.
- 4 Specify finish.

REMEMBER...

- 1 NRP Hinges are available. Upcharge will apply.
- 2 Contact us for your larger or custom size hinges.
- 3 Architectural hinges can be modified for radius corners.

surface bolts

Surface Boltspages SB1/2

Classic Brass

STANDARD BRASS FINISHES

Level I

(AB)	Antique Brass	US5
(BZ)	Oil Rubbed Bronze	US10B
(KN)	Kensington **	
(PA)	Polished Antique	US7
(PB)	Polished Brass	US3
(PBNL)	Polished Brass – No Lacquer	US3A
(WB)	Weathered Brass	
(WZ)	Weathered Bronze	

Level II

AN)	Antique Nickel	
(AP)	Antique Pewter	US15A
(MB)	Matte Black	
(NC)	Nickel Copper	
(PC)	Polished Chrome	US26
(PN)	Polished Nickel	US19
(SN)	Satin Nickel	US15
(WA)	Weathered Antique Nickel	
(WC)	Weathered Copper	
(WN)	Weathered Nickel	
(WP)	Weathered Antique Pewter	

PREMIUM FINISHES

(PB-PVD)	Polished Brass – PVD
(PS)	Polished Silver
(SS)	Satin Silver
(SCR)	Satin Copper
(PCR)	Polished Copper
(SC)	Satin Chrome

Other custom finishes available. Contact us to discuss your requirements.

Gold Plating pricing available upon request

** No lacquer

NEW ITEMS



Surface Bolt

Traditional Guide Straight	5/8" Offset	Transitional Guide Straight	5/8" Offset	
10008	10608	10108	10708	Surface Bolt - 8"
10012	10612	10112	10712	Surface Bolt - 12"
10016	10616	10116	10716	Surface Bolt - 16"
10018	10618	10118	10718	Surface Bolt - 18"
10024	10624	10124	10724	Surface Bolt - 24"
10030	10630	10130	10730	Surface Bolt - 30"
10036	10636	10136	10736	Surface Bolt - 36"

standard finishes

AB | ABB | BB | BZ | KN | PA | PB | PBNL | TN | WB | WZ |
ABN | AN | AP | BN | MB | NC | PC | PN | SN | WA | WC | WN | WP

premium finishes

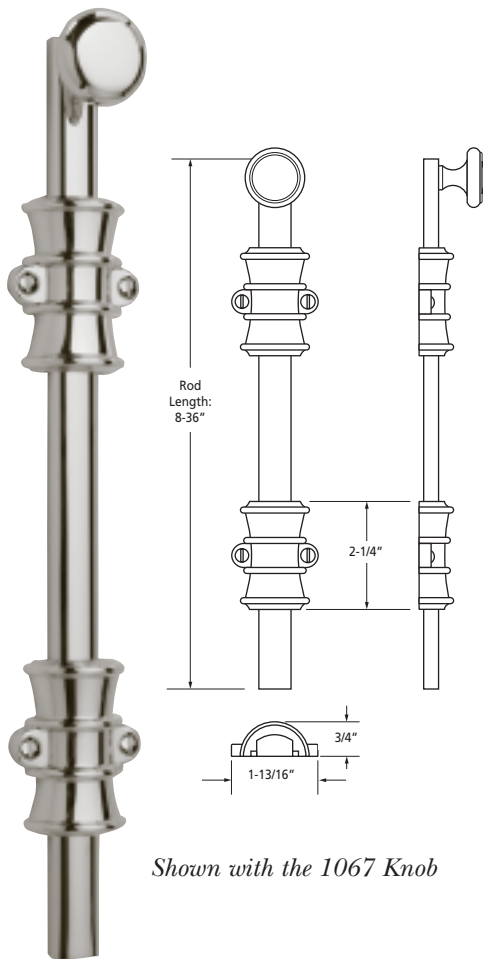
APS | APN | PB-PVD | PS | SS | SCR | PCR | SC
gold plating available upon request

price list

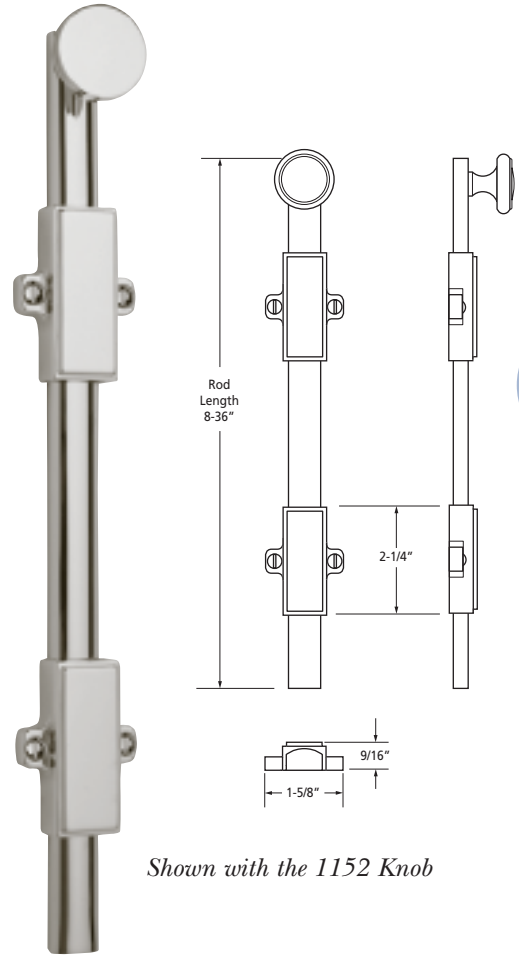
page 34

material

solid brass



Shown with the 1067 Knob



Shown with the 1152 Knob

SURFACE BOLTS



HOW TO ORDER

- 1 Specify part number for required length/guide/function.
- 2 Specify finish.
- 3 Standard knob is 1067....specify any cabinet knob style.

REMEMBER...

- 1 If you require a custom size, we can make any length up to 72" or longer.
- 2 We provide a UNIVERSAL strike with each set...advise if you require mortise or angle strike.
- 3 Extended lip strikes or custom strikes available...provide details of your requirement.
- 4 If necessary we can modify the overall length of the guide as required.
- 5 Custom offset dimensions are available...contact us to discuss your requirements.

Surface Bolts

COLLECTION

NEW ITEMS

13

Surface Bolts

Plain Guide Straight	5/8" Offset	Short Guide Straight	5/8" Offset	
10208	10808	10308	10908	Surface Bolt - 8"
10212	10812	10312	10912	Surface Bolt - 12"
10216	10816	10316	10916	Surface Bolt - 16"
10218	10818	10318	10918	Surface Bolt - 18"
10224	10824	10324	10924	Surface Bolt - 24"
10230	10830	10330	10930	Surface Bolt - 30"
10236	10836	10336	10936	Surface Bolt - 36"

standard finishes

AB | ABB | BB | BZ | KN | PA | PB | PBNL | TN | WB | WZ |
 ABN | AN | AP | BN | MB | NC | PC | PN | SN | WA | WC | WN | WP

premium finishes

APS | APN | PB-PVD | PS | SS | SCR | PCR | SC
 gold plating available upon request

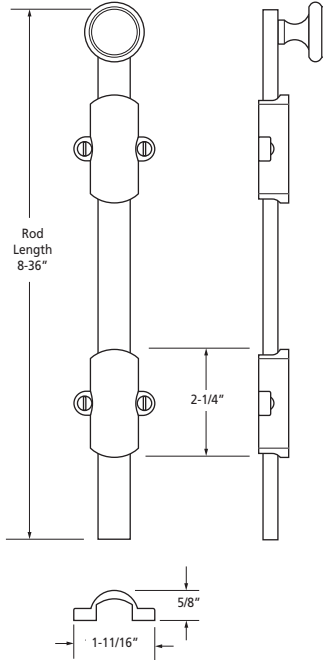
price list

page 34-35

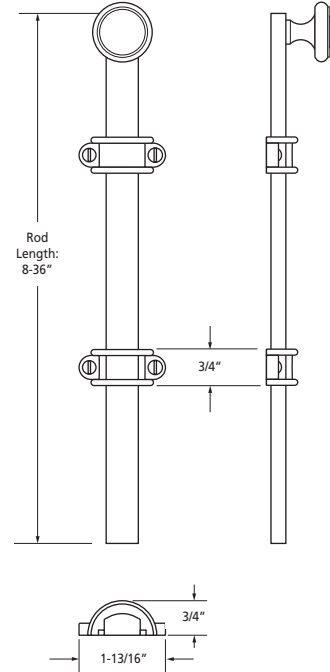
material

solid brass

BOLTS
SURFACE



Shown with the 1067 Knob



Shown with the 1067 Knob

HOW TO ORDER

- 1 Specify part number for required length/guide/function.
- 2 Specify finish.
- 3 Standard knob is 1067....specify any cabinet knob style.

REMEMBER...

- 1 If you require a custom size, we can make any length up to 72" or longer.
- 2 We provide a UNIVERSAL strike with each set..advise if you require mortise or angle strike.
- 3 Extended lip strikes or custom strikes available....provide details of your requirement.
- 4 If necessary we can modify the overall length of the guide as required.
- 5 Custom offset dimensions are available...contact us to discuss your requirements.

accessories

Flush Pulls	A-1/2
Door Stops	A-3/4
Emergency Egress	A-5/6
Miscellaneous	A-7

Classic Brass

STANDARD BRASS FINISHES

Level I

(AB)	Antique Brass	US5
(BZ)	Oil Rubbed Bronze	US10B
(KN)	Kensington **	
(PA)	Polished Antique	US7
(PB)	Polished Brass	US3
(PBNL)	Polished Brass – No Lacquer	US3A
(WB)	Weathered Brass	
(WZ)	Weathered Bronze	

Level II

AN)	Antique Nickel	
(AP)	Antique Pewter	US15A
(MB)	Matte Black	
(NC)	Nickel Copper	
(PC)	Polished Chrome	US26
(PN)	Polished Nickel	US19
(SN)	Satin Nickel	US15
(WA)	Weathered Antique Nickel	
(WC)	Weathered Copper	
(WN)	Weathered Nickel	
(WP)	Weathered Antique Pewter	

PREMIUM FINISHES

(PB-PVD)	Polished Brass – PVD
(PS)	Polished Silver
(SS)	Satin Silver
(SCR)	Satin Copper
(PCR)	Polished Copper
(SC)	Satin Chrome

Other custom finishes available. Contact us to discuss your requirements.

Gold Plating pricing available upon request

** No lacquer

Flush Pulls

9710 Flush Pull (rectangular) – 1-3/4" x 4"

9715 Flush Pull (round) – 2-1/2" diameter

9730 Edge Pull

standard finishes

AB | ABB | BB | BZ | KN | PA | PB | PBNL | TN | WB | WZ |
 ABN | AN | AP | BN | MB | NC | PC | PN | SN | WA | WC | WN | WP

premium finishes

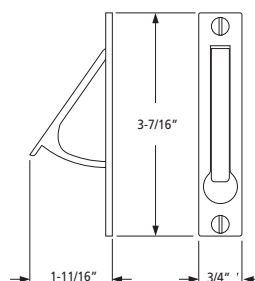
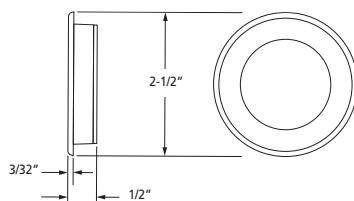
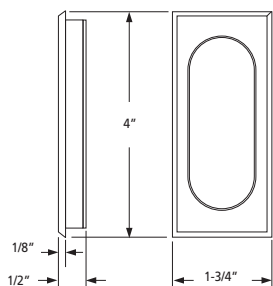
APS | APN | PB-PVD | PS | SS | SCR | PCR | SC
 gold plating available upon request

price list

page 36

material

solid brass



9720 Flush Pull (rectangular) – 2" x 6"

9725 Flush Pull (round) – 2-1/2" diameter

standard finishes

AZ | MB | NB
 AI | AS | ST

premium finishes

custom finishes available

price list

page 36

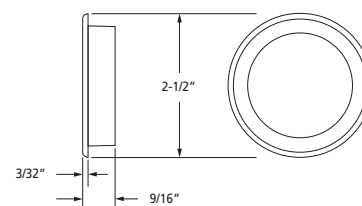
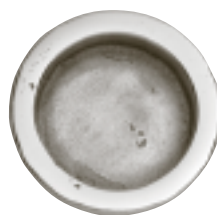
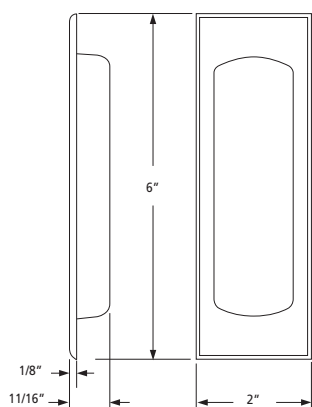
material

solid bronze
 solid white bronze

F L U S H



P U L L S



HOW TO ORDER

- 1 Specify application – rectangular or round.
- 2 Specify size.
- 3 Specify finish.

REMEMBER...

Flush Pull

- 9711 Flush Pull
- 9712 Flush Pull w/ Turnpiece
- 9713 Flush Pull w/ EE Button

NEW ITEMS



standard finishes

AB	ABB	BB	BZ	KN	PA	PB	PBNL	TN	WB	WZ							
ABN	AN	AP	BN	MB	NC	PC	PN	SN	WA	WC	WN	WP					

premium finishes

APS	APN	PB-PVD	PS	SS	SCR	PCR	SC										
-----	-----	--------	----	----	-----	-----	----	--	--	--	--	--	--	--	--	--	--

gold plating available upon request

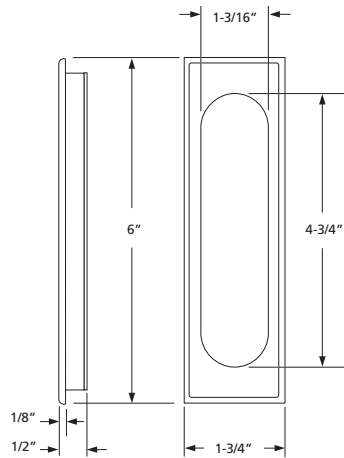
price list

page 36

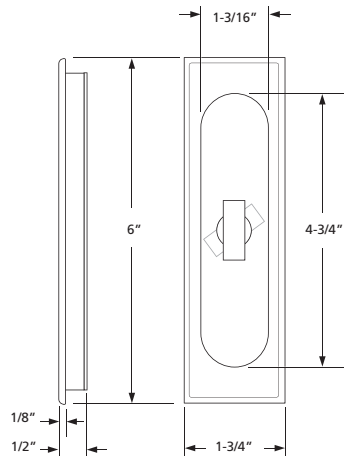
material

solid brass

PULLS



FLUSH



HOW TO ORDER

- 1 Specify application.
- 2 Specify finish.

REMEMBER...

- 1 Verify jamb clearance for escutcheon projection.
- 2 Edge pulls available – Standard or Mortise.
- 3 Flush Pull locks and Edge Pulls must be ordered separately.

Door Stops

9740 Door Stop – Dome

9745 Door Stop – Wall Mount

standard finishes

AB | ABB | BB | BZ | KN | PA | PB | PBN | TN | WB | WZ |
 ABN | AN | AP | BN | MB | NC | PC | PN | SN | WA | WC | WN | WP

premium finishes

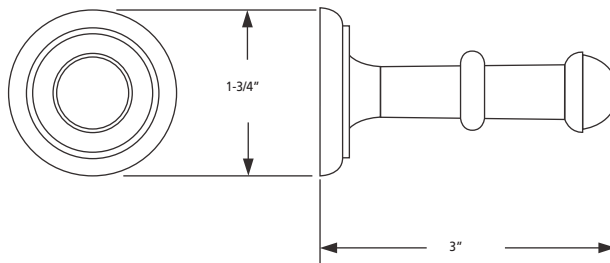
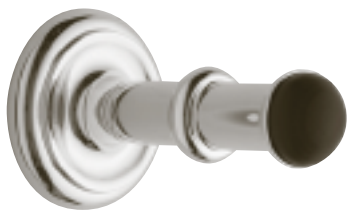
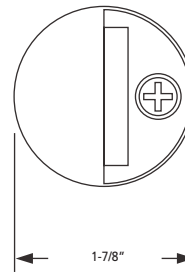
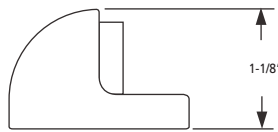
APS | APN | PB-PVD | PS | SS | SCR | PCR | SC
 gold plating available upon request

price list

page 36

material

solid brass



D
O
O
R

S
T
O
P
S

HOW TO ORDER

- 1 Specify part number.
- 2 Specify finish.

REMEMBER...

- 1 Should you require a modified projection on the wall door stop – contact us.
- 2 Should you require a modified height on the floor door stop – contact us.

Door Stops

COLLECTION

Door Stop

9741 Door Stop

9743 Door Stop

NEW ITEMS

13

standard finishes

AB | ABB | BB | BZ | KN | PA | PB | PBNL | TN | WB | WZ |
 ABN | AN | AP | BN | MB | NC | PC | PN | SN | WA | WC | WN | WP

premium finishes

APS | APN | PB-PVD | PS | SS | SCR | PCR | SC
 gold plating available upon request

price list

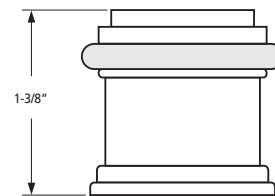
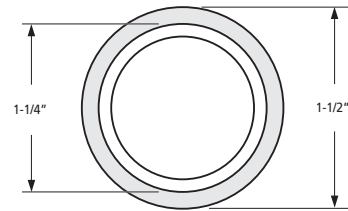
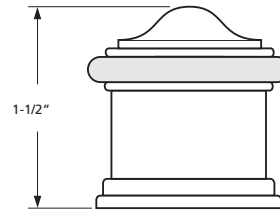
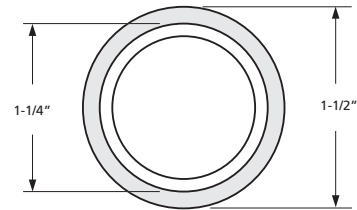
page 36

material

solid brass

STOPS

DOOR



HOW TO ORDER

- 1 Specify part number.
- 2 Specify finish.

REMEMBER...

- 1 Should you require a modified height on the floor door stop - contact us.

Emergency Egress

9936 Egress Cover

9937 EE Trim w/Cover

9939 EE Oval Trim w/Cover

9940 Round EE Trim w/Cover

NEW ITEMS

13

standard finishes

AB | ABB | BB | BZ | KN | PA | PB | PBNL | TN | WB | WZ |
 ABN | AN | AP | BN | MB | NC | PC | PN | SN | WA | WC | WN | WP

premium finishes

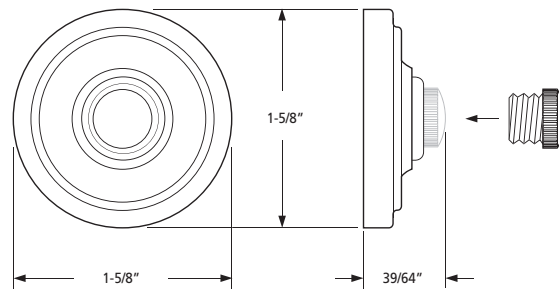
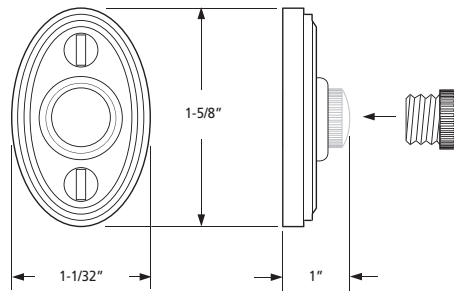
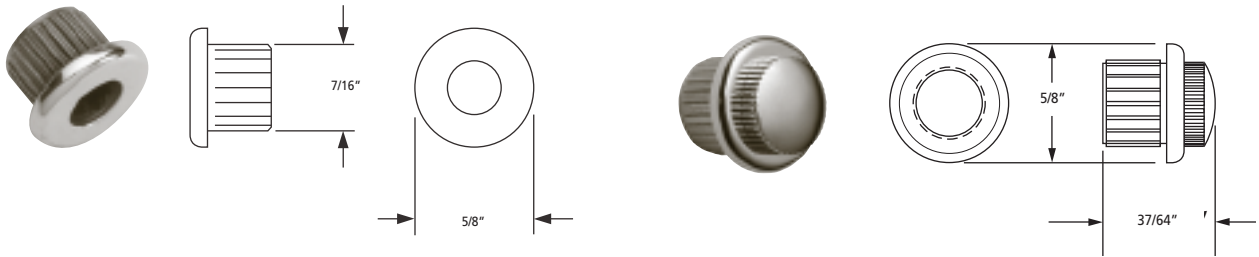
APS | APN | PB-PVD | PS | SS | SCR | PCR | SC
 gold plating available upon request

price list

page 36

material

solid brass



E
M
E
R
G
E
N
C
Y

E
G
R
E
S
S

HOW TO ORDER

- 1 Specify application.
- 2 Specify finish.

Emergency Egress

9941 Fifth Avenue Square EE Trim w/Button

9942 Fifth Avenue Round EE Trim w/Button

9938 Key Hole Swing Cover

NEW ITEMS



standard finishes

AB | ABB | BB | BZ | KN | PA | PB | PBNL | TN | WB | WZ |
 ABN | AN | AP | BN | MB | NC | PC | PN | SN | WA | WC | WN | WP

premium finishes

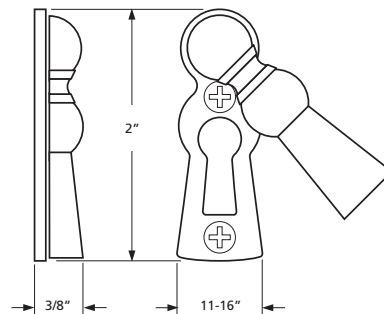
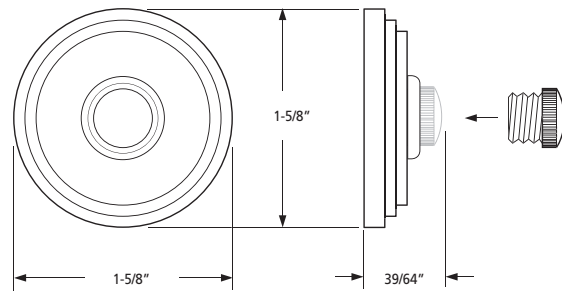
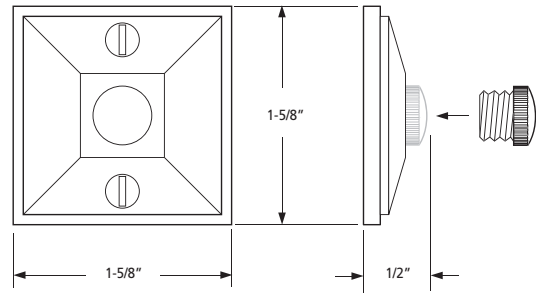
APS | APN | PB-PVD | PS | SS | SCR | PCR | SC
 gold plating available upon request

price list

page 36

material

solid brass



HOW TO ORDER

- 1 Specify application.
- 2 Specify finish.

EGRESS

EMERGENCY

Miscellaneous

9954 Heavy Duty Roller Latch

9955 Flush Bolt - 12"

9956 Flush Bolt - 18"

9957 Flush Bolt - 24"

NEW ITEMS



standard finishes

AB | ABB | BB | BZ | KN | PA | PB | PBNL | TN | WB | WZ |
 ABN | AN | AP | BN | MB | NC | PC | PN | SN | WA | WC | WN | WP

premium finishes

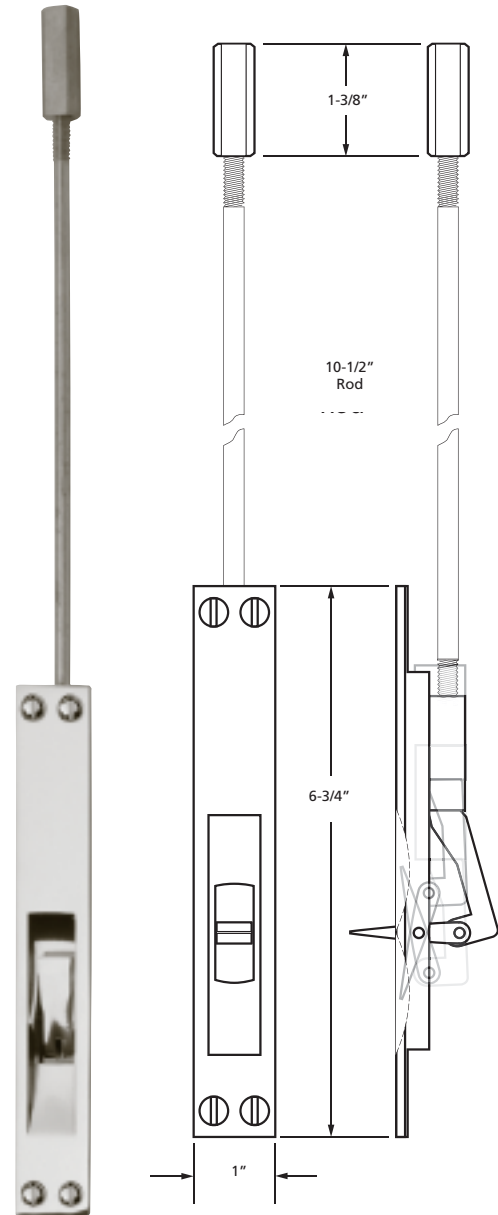
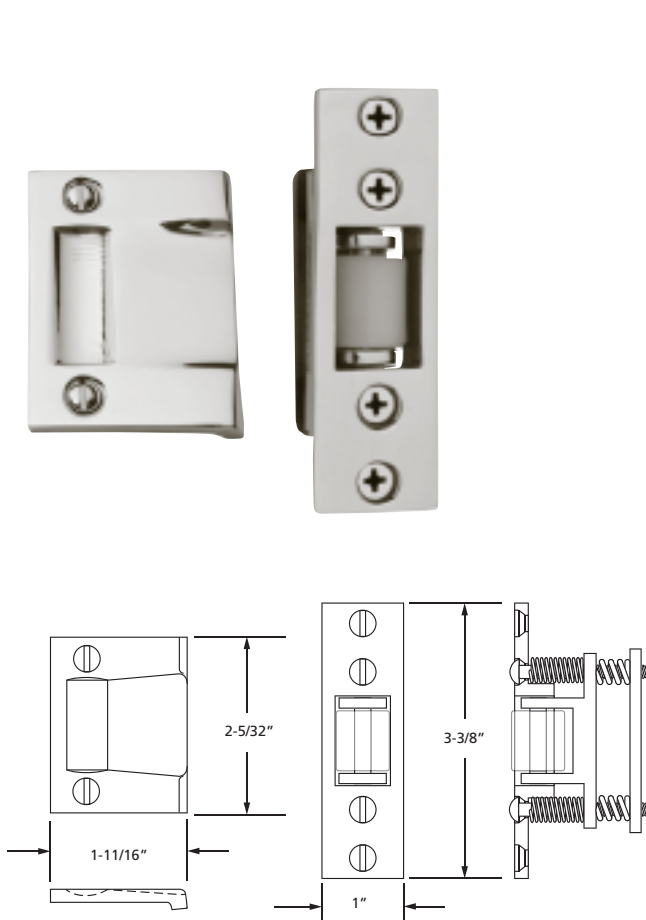
APS | APN | PB-PVD | PS | SS | SCR | PCR | SC
 gold plating available upon request

price list

page 36

material

solid brass



ROLLER LATCH

FLUSH BOLTS

HOW TO ORDER

- 1 Specify application.
- 2 Specify finish.

REMEMBER...

1 Custom size Flush Bolts available upon request - contact us.