



Cremone Bolt

Order Guide



Luxury Architectural Hardware since 1868



Haute Cremone Bolt with Small Zeppelin Knob

Elegance meets fine craftsmanship

Our Cremone bolts are suitable for French doors, windows, cabinet and internal doors, giving an opulent, linear look.

A simple and graceful design, yet somehow adding so much grandeur, Cremone bolts will not only transform the aesthetic of a cabinet, door or window, but the wider room they sit within.

Pair with a multitude of existing levers and knobs within the Croft portfolio and choose from over 25 of our signature finishes & patinas.



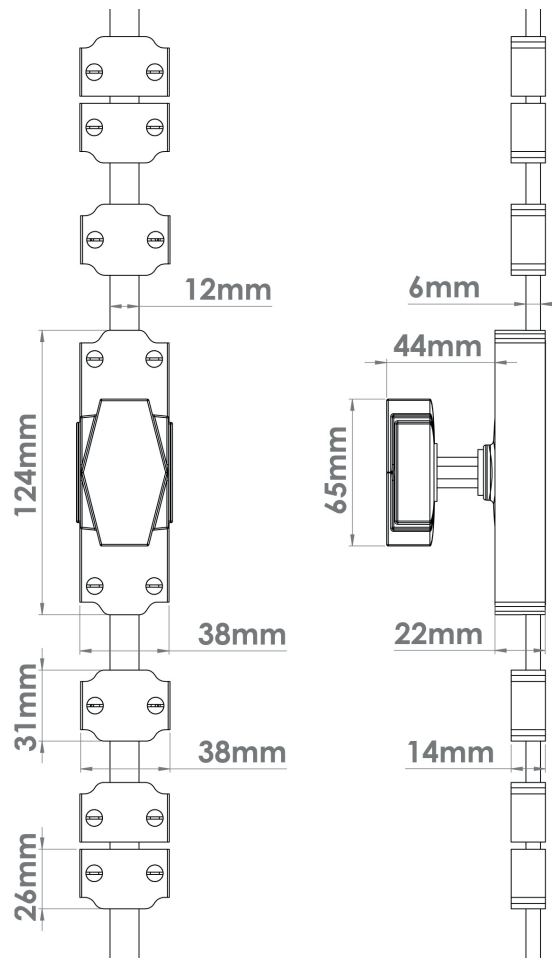
Contour Cremone Bolt with Small Zeppelin Knob

Elevate your project

The combination of elongated brass bars, together with a choice of three designs, Luxe, Haute and Contour, makes for a versatile, luxury item combining both traditional and contemporary design elements.

Luxe Cremone Bolt

Our Luxe Cremone bolt is supplied with 2 x rods as standard, 2 x central guides, 4 x end guides, 2 x flat plates and 2 x angle plates.



6000/7005
Luxe Cremone Bolt with
Art Deco Knob
Finish shown: Polished Brass
Unalacquered

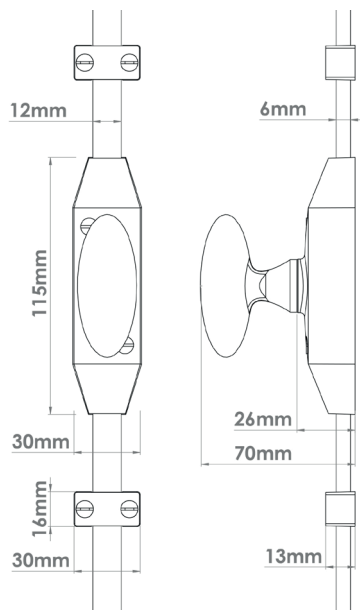
6000/1752
Luxe Cremone Bolt with
Zeppelin Knob
Finish shown: Polished Brass
Unalacquered

Luxe Cremone Bolt Locking Guide
Add L to the product code to specify locking version

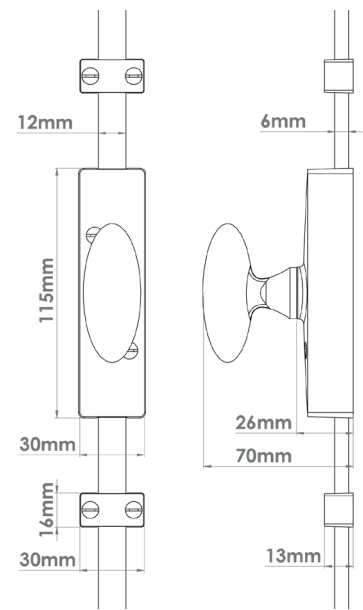
Haute & Contour Slimline Cremone Bolts

Concealed guide inserts and a ball-bearing assisted cassette mechanism ensure the rods within our slimline Cremone bolts travel smoothly and in alignment, making for a truly luxurious user experience.

The tactility of the bolt is only further enhanced with a small, satisfying click at the closed and open positions.



6010/1752A
Contour Cremone Bolt with Small Zeppelin Knob
Finish shown: Satin Brass



6011/1752A
Haute Cremone Bolt with Small Zeppelin Knob
Finish shown: Polished Nickel

Parts supplied: 2 x Rods, 6 x Central Guides, 6 x Smooth Guide Inserts, 2 x Flat Plates, 2 x Angle Plates



Slimline Cremone Bolt Locking Mechanism
Add L to the product code to specify locking version

How to order & build your product code

Step 1: Choose your design



6000
Luxe
124 x 37mm



6010
Slimline Contour
115 x 30mm



6011
Slimline Haute
115 x 30mm

For the Slimline Contour, begin your code with 6010.

Step 2: Identify your sizing category

A	B	C	D	E
0 - 999mm	1000 - 1499mm	1500 - 1999mm	2000 - 2599mm	2600+

The sizing category refers to the overall size of the door.

For an overall length of 2000mm, add D to the end of your code (6010D).

Step 3: Select an option if required



Locking (L)

Left: Locking mechanism
for 6010 & 6011

Bottom right: Locking
guide for 6000



Cranked Rods (CKD)



Fixed/ Dummy
knob or lever (FX)



Left-hand or Right-hand
(LH) or (RH)
(Right-hand shown shown)

Add cranked rods by including CKD at the end of your code (6010DCKD).

Step 4: Choose your knob or lever design

See page 8 for compatible knobs and levers.

Add a forward slash to your code, followed by the code of your chosen lever or knob (6010CKD/1752A).

Step 5: Choose your finish

Our Cremona bolts are available in 25 of our luxury finishes & patinas.

Add SBUL for Satin Brass Unlacquered (6010DCKD/1752A-SBUL).

Ordering your Cremone bolt checklist

Cremone bolt code:	
Sizing category:	
Dimensions <i>We will need two measurements from you when ordering Cremone bolts (please include all dimensions in mm):</i>	
Overall size of the door (not including the frame):	
Handle height (distance from the bottom of the door):	
Additional features: <input type="checkbox"/> Locking <input type="checkbox"/> Cranked Rods <input type="checkbox"/> Fixed/Dummy lever or knob <input type="checkbox"/> Left-hand (if applicable) <input type="checkbox"/> Right-hand (if applicable)	
Knob or lever design code:	
Finish code:	
Any additional information:	

Choose your knob or lever design

The below are examples of knob and lever options that are compatible with our Cremone bolts.

Knob Options:

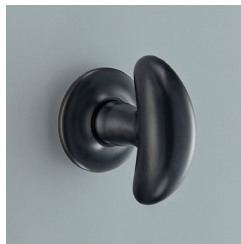


1752A
Small Zeppelin Knob
Finish shown: Satin Brass

This knob has been specially designed to fit the Slimline Contour and Slimline Haute Cremone bolts.



1752
Zeppelin Knob
Finish shown: Light Antique Brass



1753
Crescent Knob
Finish shown: Matte Black Bronze



1754
Oval Knob
Large version available
Finish shown: Satin Brass



4190
Raised Oval Knob
Finish shown: Polished Brass



7005
Art Deco Knob
Finish shown: Polished Brass

Lever Options:



1746
Stafford Lever
Finish shown: IBMA



7020
Grace Lever
Finish shown: Satin Brass



7101
Elegance Lever
Finish shown: Matte Black Bronze



7200
Floe Lever
Finish shown: Light Antique Brass



7210
Garde Lever
Finish shown: Autumn Bronze



7220
Celeste Lever
Finish shown: Polished Brass Unlacquered

Further designs are available, please speak to a member of our team for more information.



Haute Cremona Bolt with Small Zeppelin Knob

Luxury Architectural Hardware since 1868

Designed, crafted, and perfected in England

croft.co.uk