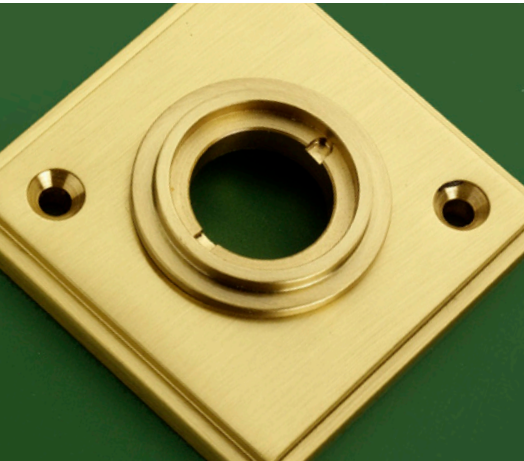


Diamond Plates

A selection of four Diamond orientated Plates, all available in three sizes with a choice of five seating/collar options; and all designed to work in conjunction with the Door Levers & Door Knobs to be found in sections ST1 & ST2 (which can be attached to Face fixed Plates if desired).



Fixings

Plate supplied with finish matched, no.6 x 19mm wood screws, alignment collar and installation instructions.



▲ 4751



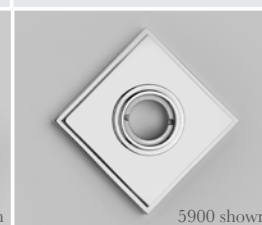
▲ 4951



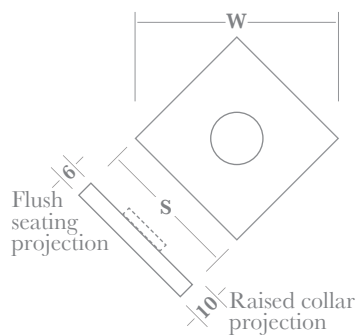
▲ 5951



▲ 6051 Size A available with type G flush seating only



Concealed fix diamond plates - order same as square plates, see page ST4:030



	A	B	C
S (square)	44	54	64
W (width)	62	76	90

Custom sizes available upon request - surcharge may apply.

FIX DEAD DUMMY OPTION - FACE FIX ONLY (Supplied assembled)

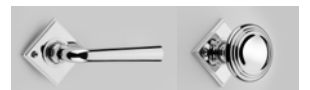


Achieved by custom machining both the Plate & Lever/ Knob, then fixing together with a lockbolt.

Seating & Collar options



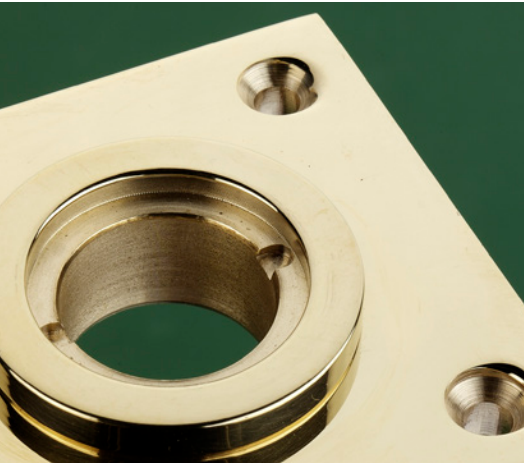
See page ST6:010 for further details



Face Fix Plates can be supplied with Allart Select Levers or Knobs attached (clip fixed) See sections ST1 & ST2

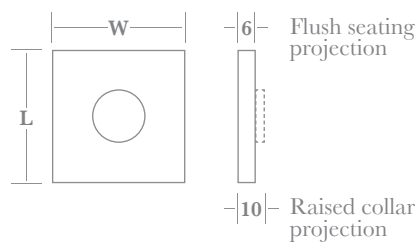
Square Plates - Face fixed

A selection of nine face fixed Square Plates, all available in three sizes; with a choice of five seating/collar options; and all designed to work in conjunction with the Door Levers & Door Knobs to be found in sections ST1 & ST2 (which can be supplied attached if desired).



Fixings

Plates supplied with finish matched, no.6 x 19mm wood screws, alignment collars and installation instructions.



	A	B	C
L x W	44 x 44	54 x 54	64 x 64
3250 only	62 x 44	72 x 54	82 x 64

Custom sizes available upon request - surcharge may apply.

FIX DEAD DUMMY OPTION - (Supplied assembled)



Achieved by custom machining both the Plate & Lever/ Knob, then fixing together with a lockbolt.

Seating & Collar options



See page ST6:010 for further details

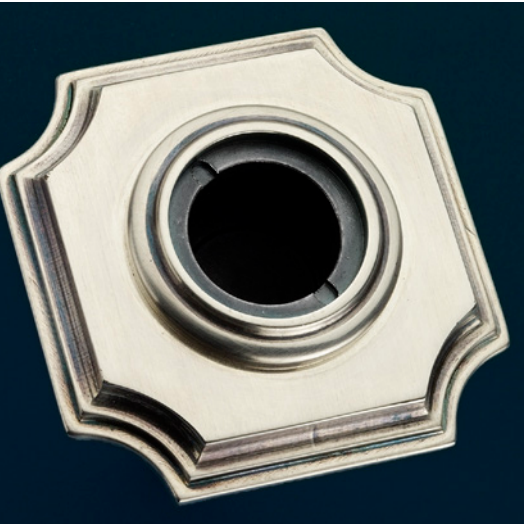


Face Fix Plates can be supplied with Allart Select Levers or Knobs attached (circlip fixed) See sections ST1 & ST2

Square Plates - Concealed fix

A selection of nine concealed fix Square Plates, all available in three sizes with a choice of five seating/collar options; and all designed to work in conjunction with the Door Levers & Door Knobs to be found in sections ST1 & ST2.

NB. Please note Levers & Knobs cannot be attached to Concealed fix Plates.



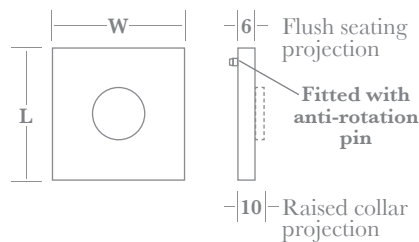
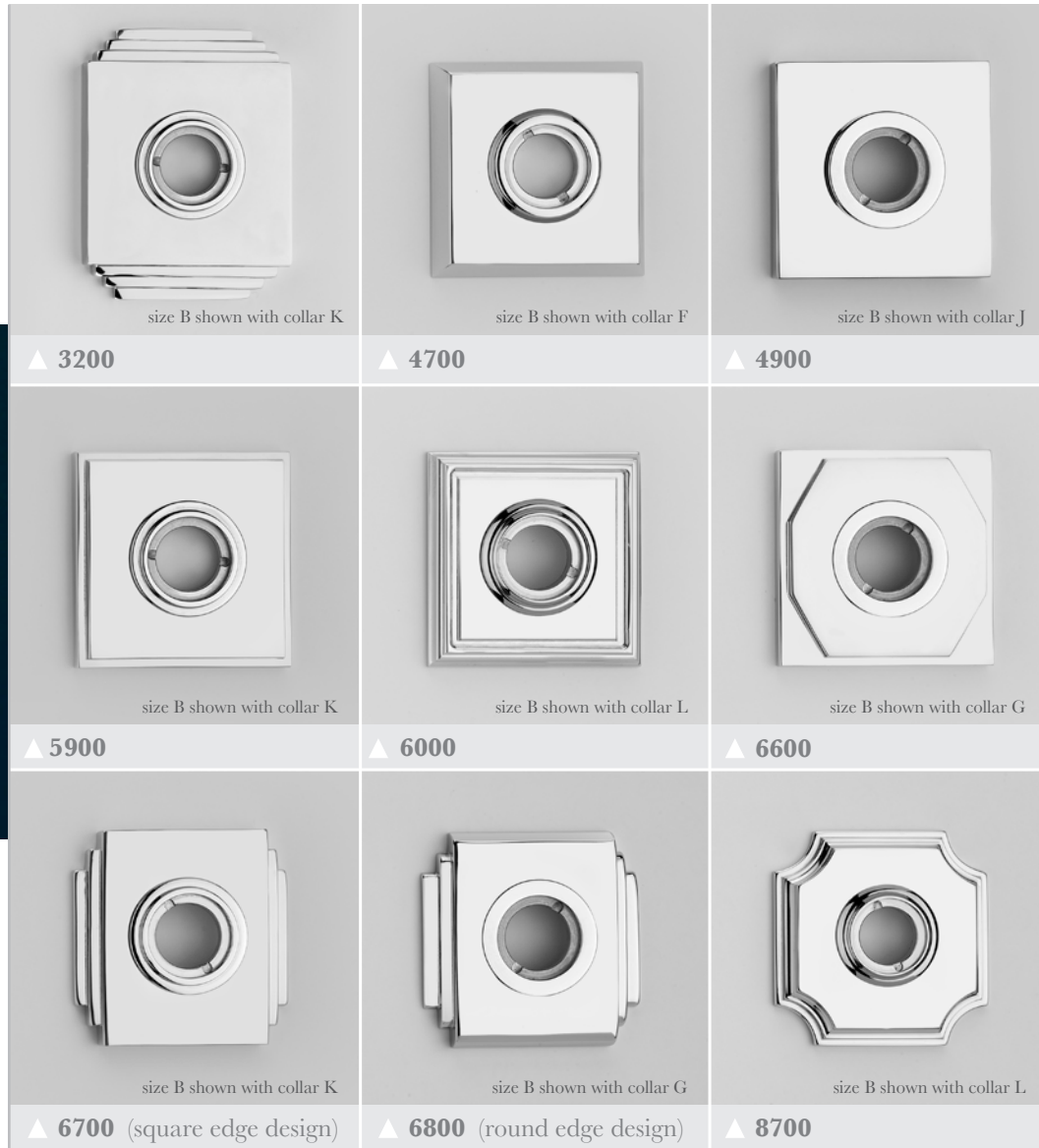
Fixings

Supplied with subroses, no.4 x 13mm wood screws, alignment collars and installation instructions.

Fix Dead Plates are supplied with 7813 mounts in place of standard subroses (*).

Pair of Pre-Bore Plates (sizes C only) supplied with 7800 Pre-Bore Adapter in place of standard Plates (*).

(* See pages ST6:070 & 080 for details.



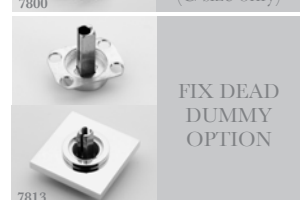
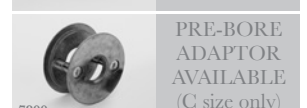
	A	B	C
L x W	44 x 44	54 x 54	64 x 64
3200 only	62 x 44	72 x 54	82 x 64

Custom sizes available upon request - surcharge may apply.

Collar options



See page ST6:010 for further details





Backplate - 32 series

An Art Deco inspired, contemporary Backplate, offered with a selection of collar designs and available either face fixed or concealed fix.

This Backplate is designed to work in conjunction with the Door Levers & Door Knobs to be found in sections ST1 & ST2.



Standard Sizes

Length	190	254	305	380
--------	-----	-----	-----	-----

Width	Availability
27	Not Available.
32	
38	All Configurations & Options, <u>except</u> US Entry.
44	All Configurations & Options.
54	
64	
76	

Thickness

6mm for all sizes & configurations except Spring Assisted Multipoint.*

*Spring Assisted Multipoint Backplates need to be 9mm thick to accommodate the spring cassette.

Custom sizes available upon request - surcharge may apply.

Finishes - See our price list or website for finish availability.



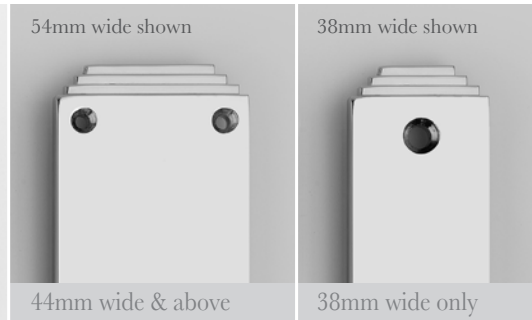
3211 190mm x 44mm latch plate shown with collar G

approx actual size

▲ **Latch (Passage), Lock & Privacy Configuration** - see pages ST5:010-080



▲ **Collar, Turn & Privacy Release Options** - see section ST6



▲ **Face Fixed screw positions**



254mm x 38mm shown with turn T56

▲ **Multipoint Configuration** - see pages ST5:150-200



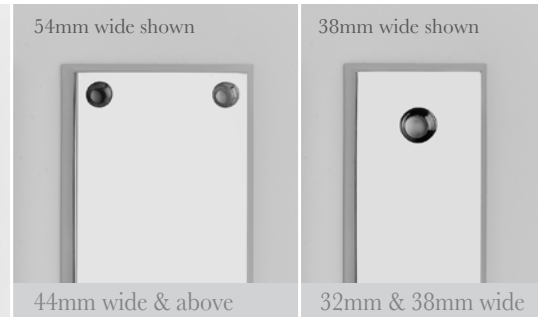
254mm x 54mm shown with turn T56, collar K and C01 exposed cylinder option.

▲ **US Entry Configuration** - see pages ST5:090-140

Backplate - 47 series

A classic bevelled edged Backplate, offered with a selection of collar designs and available either face fixed or concealed fix.

This Backplate is designed to work in conjunction with the Door Levers & Door Knobs to be found in sections ST1 & ST2.



▲ Face Fixed screw positions



254mm x 38mm shown with turn T58

▲ Multipoint Configuration - see pages ST5:150-200



254mm x 54mm shown with turn T58, collar H and C01 exposed cylinder option.

▲ US Entry Configuration - see pages ST5:090-140

4711 190mm x 44mm latch plate shown with collar F

▲ Latch (Passage), Lock & Privacy Configuration - see pages ST5:010-080



▲ Collar, Turn & Privacy Release Options - see section ST6

approx actual size

Standard Sizes

Length	190	254	305	380
--------	-----	-----	-----	-----

Width	Availability
27	Not Available.
32	Unsprung Multipoint with type G seating only.
38	All Configurations & Options, <u>except</u> US Entry.
44	All Configurations & Options.
54	
64	
76	

Thickness

6mm for all sizes & configurations except Spring Assisted Multipoint.*

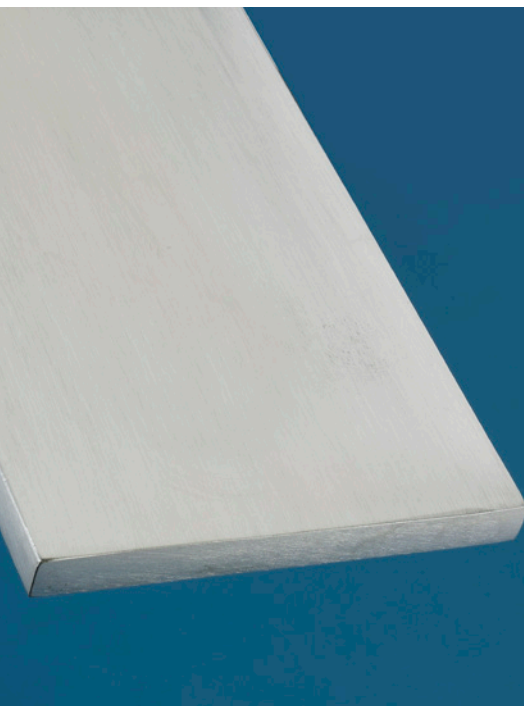
*Spring Assisted Multipoint Backplates need to be 9mm thick to accommodate the spring cassette.

Custom sizes available upon request - surcharge may apply.

Backplate - 49 series

A classic square edged Backplate, offered with a selection of collar designs and available either face fixed or concealed fix.

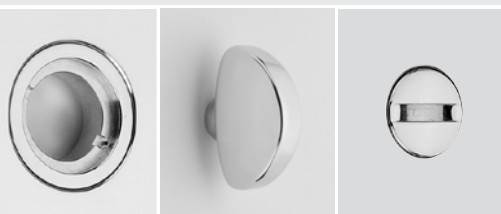
This Backplate is designed to work in conjunction with the Door Levers & Door Knobs to be found in sections ST1 & ST2.



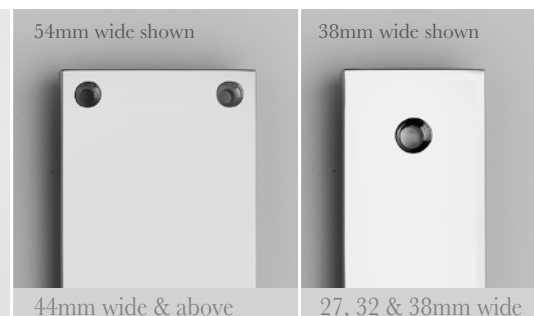
4911 190mm x 44mm latch plate shown with collar G

approx actual size

▲ **Latch (Passage), Lock & Privacy Configuration - see pages ST5:010-080**



▲ **Collar, Turn & Privacy Release Options - see section ST6**



54mm wide shown

38mm wide shown

44mm wide & above

27, 32 & 38mm wide

▲ **Face Fixed screw positions**



254mm x 38mm shown with turn T63

▲ **Multipoint Configuration - see pages ST5:150-200**



254mm x 54mm shown with turn T63, collar J and cylinder cover CO4

▲ **US Entry Configuration - see pages ST5:090-140**

Standard Sizes

Length	190	254	305	380
--------	-----	-----	-----	-----

Width	Availability
27	Unsprung Multipoint with type G seating only.
32	
38	All Configurations & Options, <u>except</u> US Entry.
44	All Configurations & Options.
54	
64	
76	

Thickness

6mm for all sizes & configurations except Spring Assisted Multipoint.*

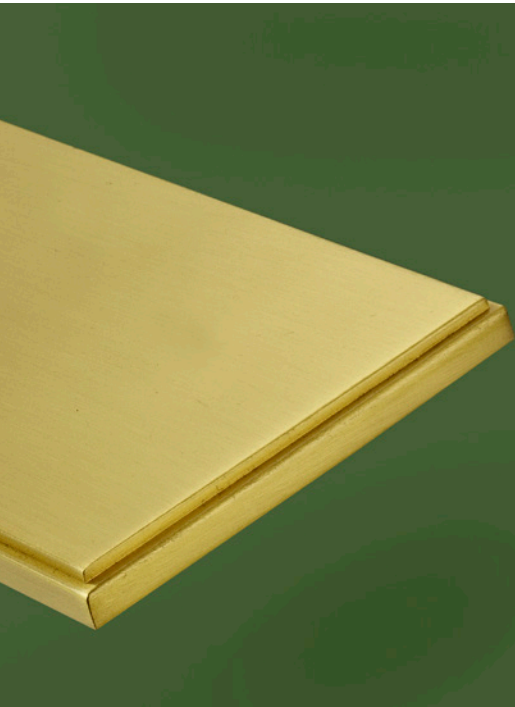
*Spring Assisted Multipoint Backplates need to be 9mm thick to accommodate the spring cassette.

Custom sizes available upon request - surcharge may apply.

Backplate - 59 series

A classic stepped edge Backplate, offered with a selection of collar designs and available either face fixed or concealed fix.

This Backplate is designed to work in conjunction with the Door Levers & Door Knobs to be found in sections ST1 & ST2.



Standard Sizes

Length	190	254	305	380
--------	-----	-----	-----	-----

Width	Availability
27	Not available.
32	Unsprung Multipoint with type G seating only.
38	All Configurations & Options, <u>except</u> US Entry.
44	All Configurations & Options.
54	
64	
76	

Thickness

6mm for all sizes & configurations except Spring Assisted Multipoint.*

*Spring Assisted Multipoint Backplates need to be 9mm thick to accommodate the spring cassette.

Custom sizes available upon request - surcharge may apply.



approx actual size

5911 190mm x 44mm latch plate shown with collar K

▲ **Latch (Passage), Lock & Privacy Configuration - see pages ST5:010-080**



▲ **Collar, Turn & Privacy Release Options - see section ST6**

54mm wide shown



44mm wide & above

38mm wide shown



32mm & 38mm wide

▲ **Face Fixed screw positions**



254mm x 38mm shown with turn T51

▲ **Multipoint Configuration - see pages ST5:150-200**



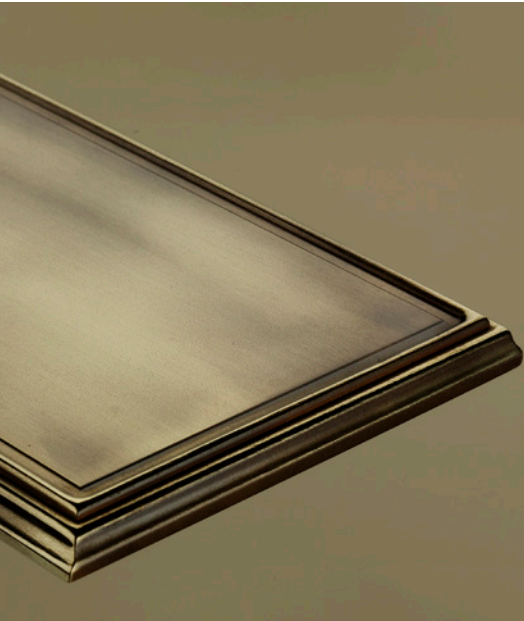
254mm x 54mm shown with turn T61, collar K and C01 exposed cylinder option.

▲ **US Entry Configuration - see pages ST5:090-140**

Backplate - 60 series

A traditional period Backplate, offered with a selection of collar designs and available either face fixed or concealed fix.

This Backplate is designed to work in conjunction with the Door Levers & Door Knobs to be found in sections ST1 & ST2.



6011 190mm x 44mm latch plate shown with collar L



54mm wide shown

38mm wide shown

44mm wide & above

38mm wide only

▲ Face Fixed screw positions only



254mm x 38mm shown with turn T51

▲ Multipoint Configuration - see pages ST5:150-200



254mm x 54mm shown with turn T51, collar L and C01 exposed cylinder option.

▲ US Entry Configuration - see pages ST5:090-140

approx actual size

Standard Sizes

Length	190	254	305	380
--------	-----	-----	-----	-----

Width	Availability
27	Not Available.
32	
38	All Face Fix Configurations with type G seating only, <u>except</u> US Entry & Spring Assisted Multipoint.
44	All Configurations and Options <u>except</u> US Entry.
54	All Configurations & Options.
64	
76	

Thickness

6mm for all sizes & configurations except Spring Assisted Multipoint.*

*Spring Assisted Multipoint Backplates need to be 9mm thick to accommodate the spring cassette.

Custom sizes available upon request - surcharge may apply.



▲ Collar, Turn & Privacy Release Options - see section ST6

Backplate - 66 series

A classic Art Deco period Backplate, offered with a selection of collar designs and available either face fixed or concealed fix.

This Backplate is designed to work in conjunction with the Door Levers & Door Knobs to be found in sections ST1 & ST2.



Standard Sizes

Length	190	254	305	380
--------	-----	-----	-----	-----

Width	Availability
27	Not Available.
32	
38	All Configurations & Options, <u>except</u> US Entry.
44	All Configurations & Options.
54	
64	
76	

Thickness

6mm for all sizes & configurations except Spring Assisted Multipoint.*

*Spring Assisted Multipoint Backplates need to be 9mm thick to accommodate the spring cassette.

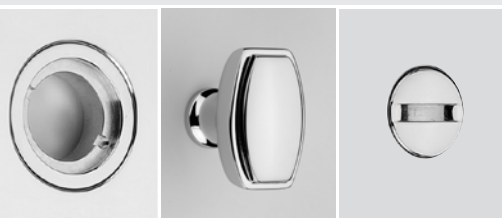
Custom sizes available upon request - surcharge may apply.

.....



6611 190mm x 54mm latch plate shown with collar K

▲ **Latch (Passage), Lock & Privacy Configuration - see pages ST5:010-080**



▲ **Collar, Turn & Privacy Release Options - see section ST6**



54mm wide shown

38mm wide shown

44mm wide & above

38mm wide only

▲ **Face Fixed screw positions**



254mm x 38mm shown with turn T54

▲ **Multipoint Configuration - see pages ST5:150-200**



254mm x 54mm shown with turn T54, seating G and C01 exposed cylinder option.

▲ **US Entry Configuration - see pages ST5:090-140**

approx actual size

Backplate - 67 series (square edge design)

A classic Art Deco period Backplate, offered with a selection of collar designs and available either face fixed or concealed fix.

This Backplate is designed to work in conjunction with the Door Levers & Door Knobs to be found in sections ST1 & ST2.



Standard Sizes

Length	190	254	305	380
--------	-----	-----	-----	-----

Width	Availability
27	Not Available.
32	
38	All Face Fix Configurations with type G seating only, <u>except</u> US Entry & Spring Assisted Multipoint.
44	All Configurations and Options <u>except</u> US Entry.
54	All Configurations & Options.
64	
76	

Thickness

6mm for all sizes & configurations except Spring Assisted Multipoint.*

*Spring Assisted Multipoint Backplates need to be 9mm thick to accommodate the spring cassette.

Custom sizes available upon request - surcharge may apply.

.....



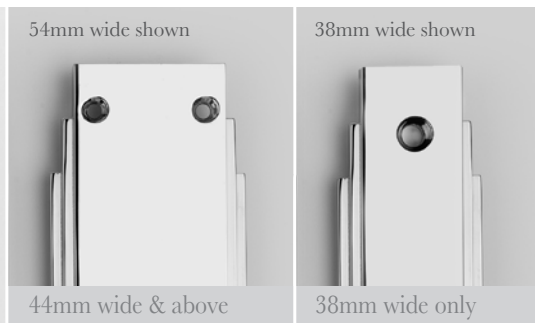
6711 190mm x 44mm latch plate shown with collar G

approx actual size

▲ Latch (Passage), Lock & Privacy Configuration - see pages ST5:010-080



▲ Collar, Turn & Privacy Release Options - see section ST6



▲ Face Fixed screw positions



254mm x 38mm shown with turn T56

▲ Multipoint Configuration - see pages ST5:150-200



254mm x 54mm shown with turn T56, collar K and C01 exposed cylinder option.

▲ US Entry Configuration - see pages ST5:090-140

Backplate - 68 series (round edge design)

A classic Art Deco period Backplate, offered with a selection of collar designs and available either face fixed or concealed fix.

This Backplate is designed to work in conjunction with the Door Levers & Door Knobs to be found in sections ST1 & ST2.



Standard Sizes

Length	190	254	305	380
Width	Availability			
27	Not Available.			
32				
38	All Face Fix Configurations with type G seating only, <u>except</u> US Entry & Spring Assisted Multipoint.			
44	All Configurations and Options <u>except</u> US Entry.			
54	All Configurations & Options.			
64				
76				

Thickness

6mm for all sizes & configurations except Spring Assisted Multipoint.*

*Spring Assisted Multipoint Backplates need to be 9mm thick to accommodate the spring cassette.

Custom sizes available upon request - surcharge may apply.

Finishes - See our price list or website for finish availability.

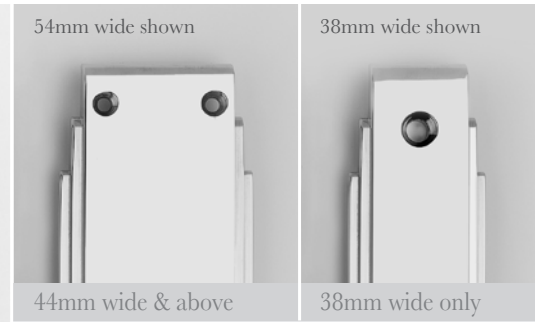


6811 190mm x 44mm latch plate shown with collar G

▲ **Latch (Passage), Lock & Privacy Configuration - see pages ST5:010-080**



▲ **Collar, Turn & Privacy Release Options - see section ST6**



54mm wide shown

38mm wide shown

44mm wide & above

38mm wide only

▲ **Face Fixed screw positions**



254mm x 38mm shown with turn T55

▲ **Multipoint Configuration - see pages ST5:150-200**



254mm x 54mm shown with turn T55, collar G and C01 exposed cylinder option.

▲ **US Entry Configuration - see pages ST5:090-140**

approx actual size

Backplate - 87 series

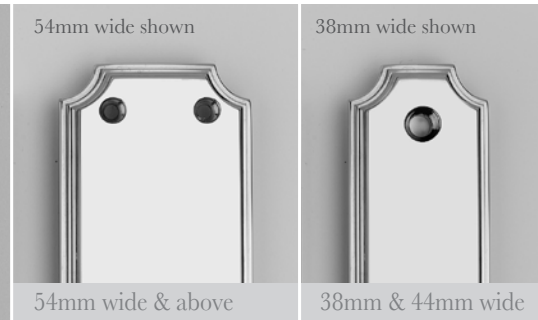
A classic Regency/Georgian period Backplate, offered with a selection of collar designs and available either face fixed or concealed fix.

This Backplate is designed to work in conjunction with the Door Levers & Door Knobs to be found in sections ST1 & ST2.



8711 190mm x 44mm latch plate shown with collar L

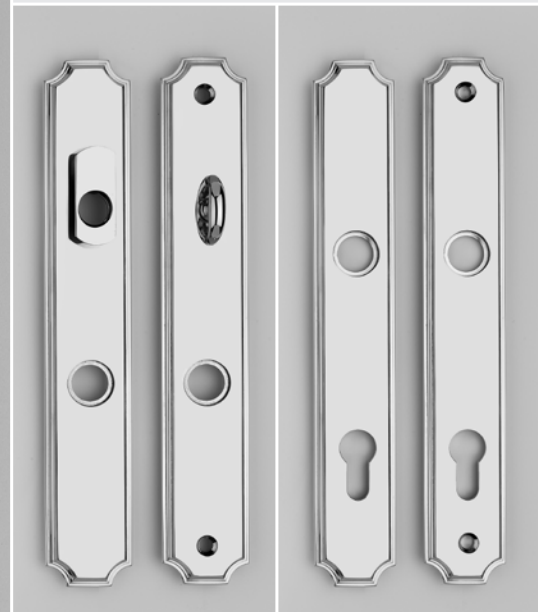
approx actual size



54mm wide & above

38mm & 44mm wide

▲ **Face Fixed screw positions**



254mm x 38mm shown with turn T53

▲ **Multipoint Configuration - see pages ST5:150-200**



254mm x 54mm shown with turn T53, collar L and C01 exposed cylinder option.

▲ **US Entry Configuration - see pages ST5:090-140**

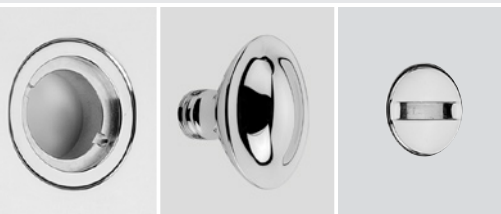
Standard Sizes

Length	190	254	305	380
Width	Availability			
27	Not Available.			
32	Not Available.			
38	All Face Fix Configurations with type G seating only, <u>except</u> US Entry & Spring Assisted Multipoint.			
44	All Configurations and Options <u>except</u> US Entry.			
54	All Configurations & Options.			
64				
76				
Thickness				
6mm for all sizes & configurations <u>except</u> Spring Assisted Multipoint.*				

*Spring Assisted Multipoint Backplates need to be 9mm thick to accommodate the spring cassette.

Custom sizes available upon request - surcharge may apply.

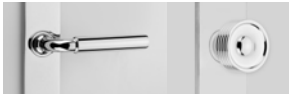
▲ **Latch (Passage), Lock & Privacy Configuration - see pages ST5:010-080**



▲ **Collar, Turn & Privacy Release Options - see section ST6**

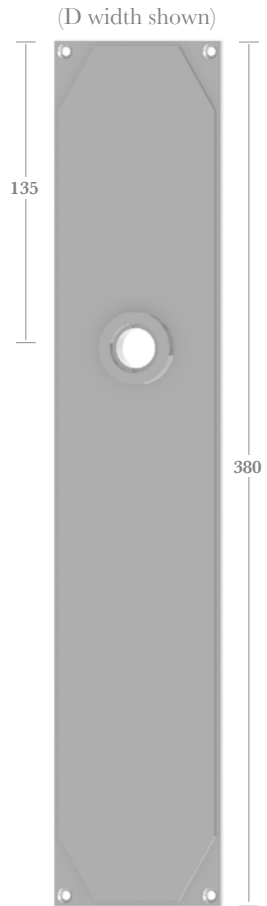
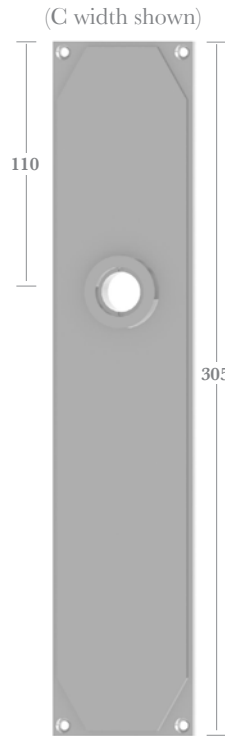
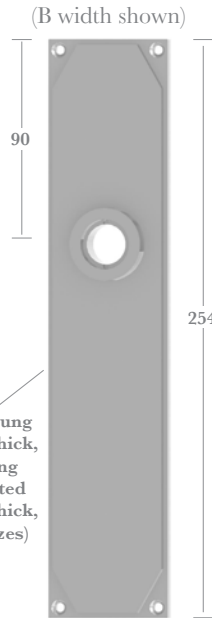
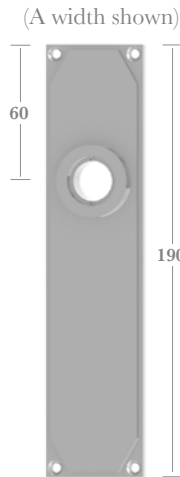
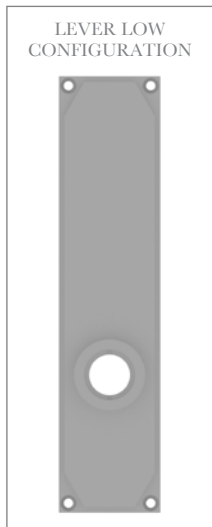
Backplates - Latch (Passage) - Face Fixed

66 Series Plates with type J collar illustrated



Face Fixed Plates can be supplied with Allart Select Levers or Knobs attached (circlip fixed).

OPTIONS:
 Plate designs - ST4
 Seating/Collars - ST6:010
 Lever/Knob designs - ST1 & ST2



Unsprung 6mm thick,
 Spring Assisted 9mm thick,
 (all sizes)

Plate Length	190mm	254mm	305mm	380mm
Length & Function Code	--61	--71	--81	--91

All Plate Lengths are available in the following widths:

Plate Width	38mm	44mm	54mm	64mm	76mm
Code	AA*	A	B	C	D

* Availability dependent on Backplate design - see section ST4 for details

Fixings

Supplied with finish matched no.6 wood screws, alignment collars and installation instructions. An 8mm x 110mm Stainless Steel Lockpoint Spindle and grubscrews are supplied when Lever/Knob attached. Spring Assisted Sets supplied with a 125mm spindle to suit doors up to 76mm thick.

Backplates - Latch (Passage) - Concealed Fix

49 Series Plates with type J collar illustrated

Concealed Fix Plates cannot be supplied with Levers or Knobs attached. Door Levers & Knobs are ordered separately - see sections ST1 & ST2.

OPTIONS:
Plate designs - ST4
Seating/Collars - ST6:010

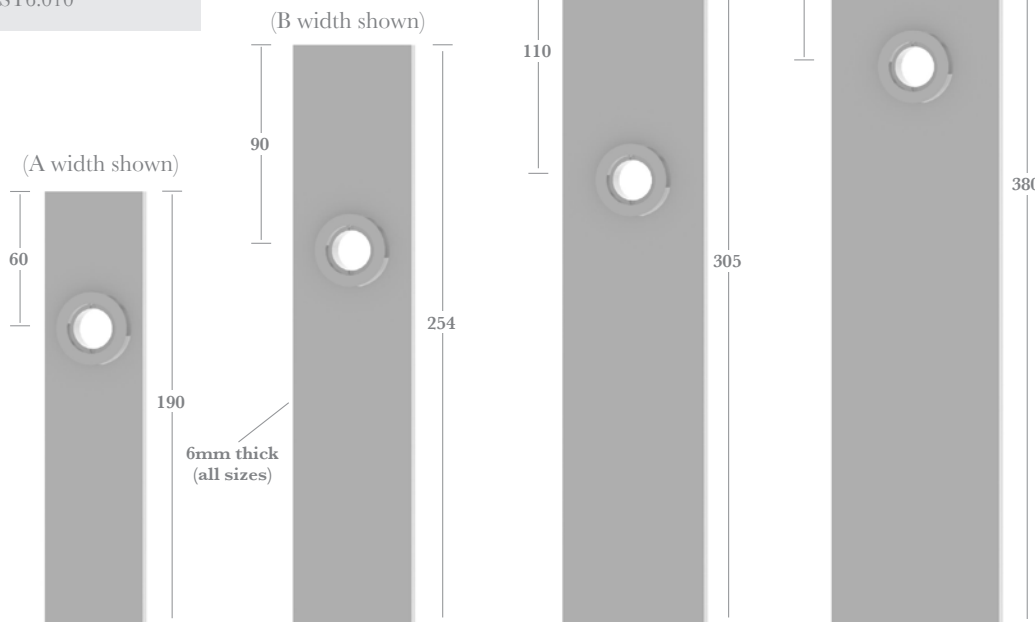


Plate Length	190mm	254mm	305mm	380mm
Length & Function Code	--11	--21	--31	--41

All Plate Lengths are available in the following widths:

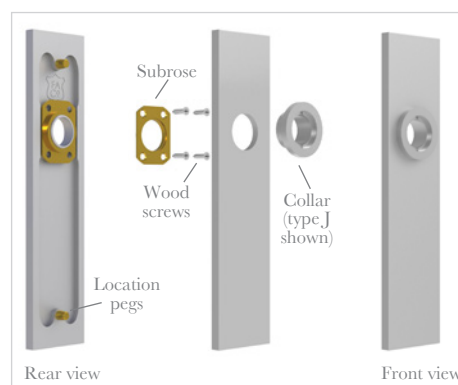
Plate Width	38mm	44mm	54mm	64mm	76mm
Code	AA*	A	B	C	D

* Availability dependent on Backplate design - see section ST4 for details

Fixings

Supplied with subroses, no.4 x 13mm wood screws, alignment collars and installation instructions.

Fix Dead Plates are supplied with 7813 mounts in place of standard subroses - see page ST6:080 for details.



Backplates - Keyhole - Face Fixed

59 Series Plates with type K collar illustrated (and R06 Cover where shown)



Face Fixed Plates can be supplied with Allart Select Levers or Knobs attached (circlip fixed).

OPTIONS:

- Plate designs - ST4
- Seating/Collars - ST6:010
- Swing Covers - ST6:040
- Lever/Knob designs - ST1 & ST2

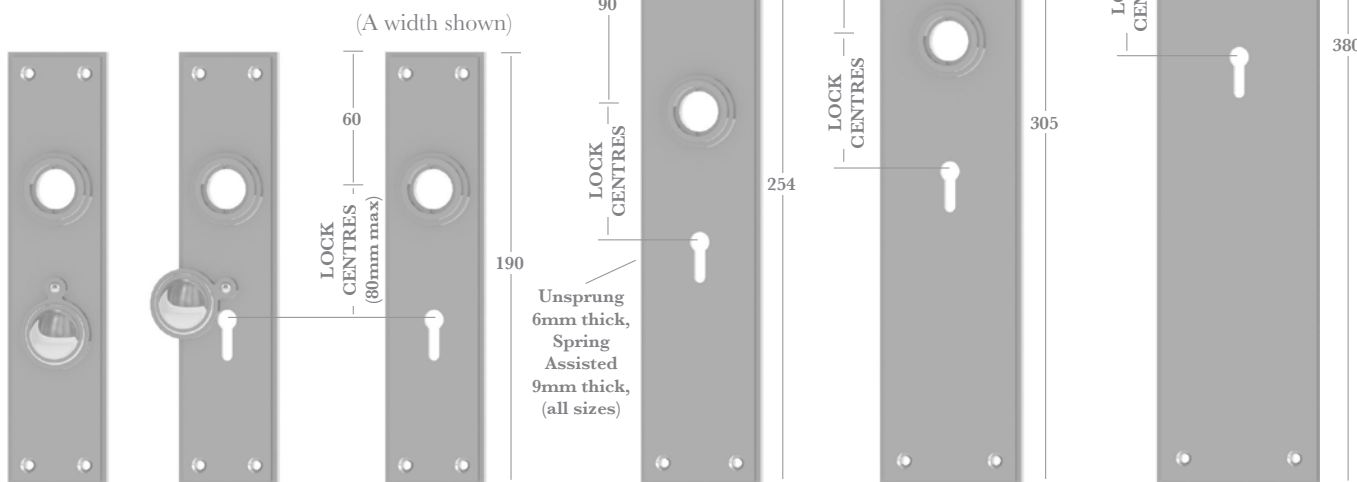


Plate Length	190mm	254mm	305mm	380mm
Keyhole only	--62	--72	--82	--92
Keyhole with Cover	--63	--73	--83	--93

All Plate Lengths are available in the following widths:

Plate Width	38mm	44mm	54mm	64mm	76mm
Code	AA*	A	B	C	D

* Availability dependent on Backplate design - see section ST4 for details

Fixings

Supplied with finish matched no.6 wood screws, alignment collars and installation instructions. An 8mm x 110mm Stainless Steel Lockpoint Spindle and grubscrews are supplied when Lever/Knob attached. Spring Assisted Sets supplied with a 125mm spindle to suit doors up to 76mm thick.

Backplates - Keyhole - Concealed Fix

67 Series Plates with type G collar illustrated (and R24 Cover where shown)

Concealed Fix Plates cannot be supplied with Levers or Knobs attached. Door Levers & Knobs are ordered separately - see sections ST1 & ST2.

OPTIONS:
 Plate designs - ST4
 Seating/Collars - ST6:010
 Swing Covers - ST6:040

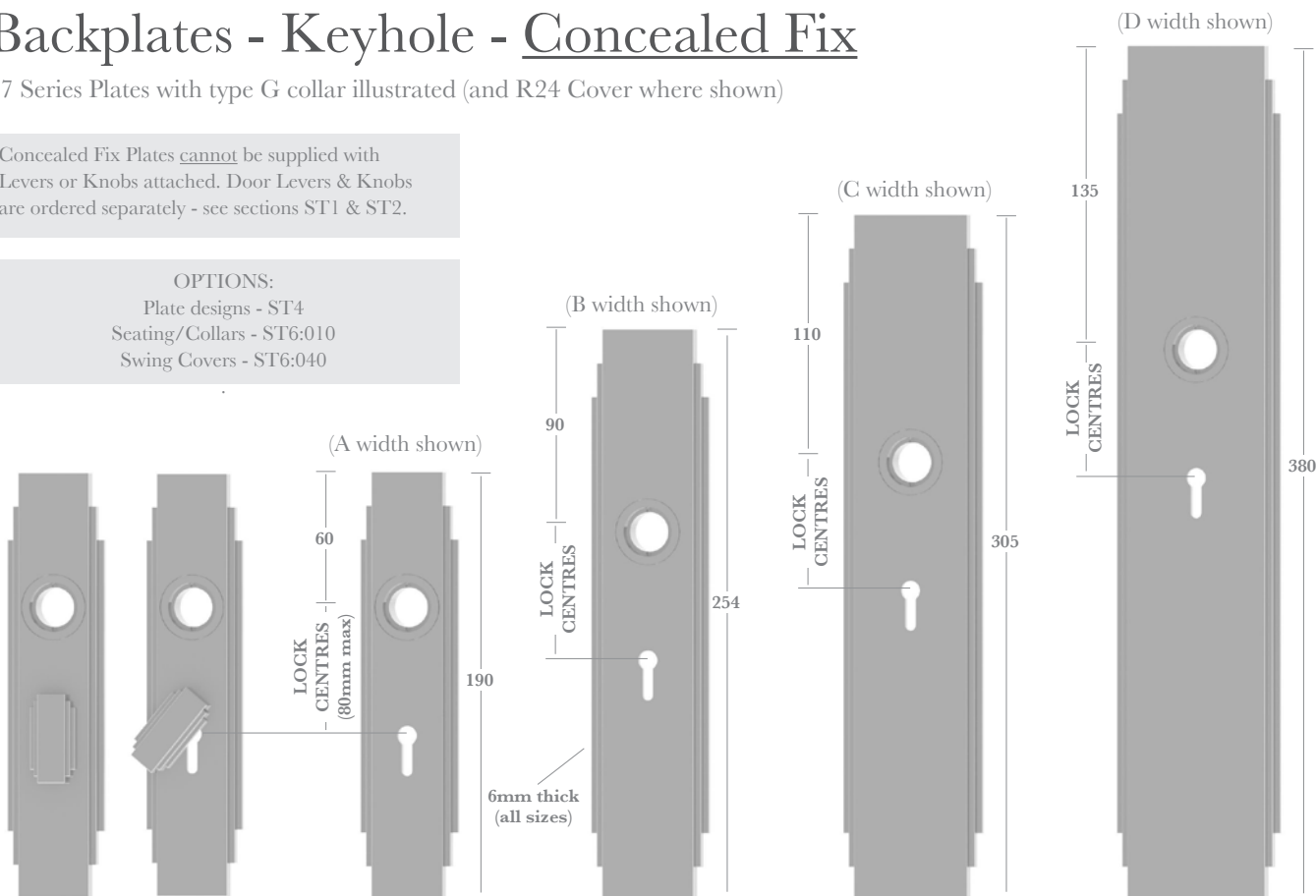


Plate Length	190mm	254mm	305mm	380mm
Keyhole only	--12	--22	--32	--42
Keyhole with Cover	--13	--23	--33	--43

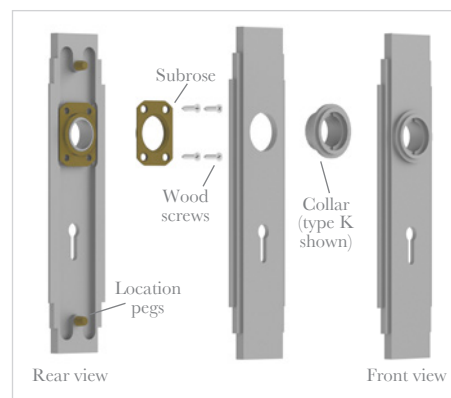
All Plate Lengths are available in the following widths:

Plate Width	38mm	44mm	54mm	64mm	76mm
Code	AA*	A	B	C	D

* Availability dependent on Backplate design - see section ST4 for details

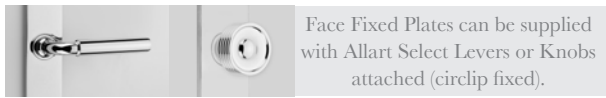
Fixings

Supplied with subroses, no.4 x 13mm wood screws, alignment collars and installation instructions.



Backplates - Profile Cylinders - Face Fixed

47 Series Plates with type F collar illustrated



OPTIONS:
 Plate designs - ST4
 Seating/Collars - ST6:010
 Lever/Knob designs - ST1 & ST2

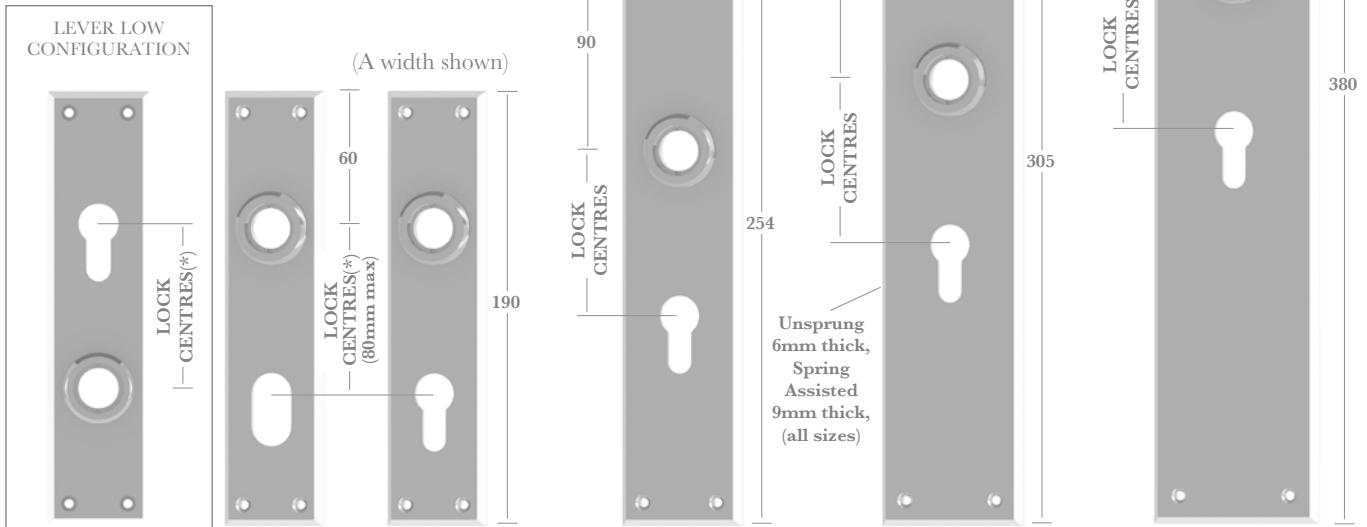


Plate Length	190mm	254mm	305mm	380mm
Oval Cylinder †	--64	--74	--84	--94
Euro Cylinder	--65	--75	--85	--95

† cutout for standard 32 x 18mm oval cylinder (larger cutouts available upon request)

All Plate Lengths are available in the following widths:

Plate Width	38mm	44mm	54mm	64mm	76mm
Code	AA*	A	B	C	D

* Availability dependent on Backplate design - see section ST4 for details

Fixings

Supplied with finish matched no.6 wood screws, alignment collars and installation instructions. An 8mm x 110mm Stainless Steel Lockpoint Spindle and grubscrews are supplied when Lever/Knob attached. Spring Assisted Sets supplied with a 125mm spindle to suit doors up to 76mm thick.

Backplates - Profile Cylinders - Concealed Fix

32 Series Plates with type K collar illustrated

Concealed Fix Plates cannot be supplied with Levers or Knobs attached. Door Levers & Knobs are ordered separately - see sections ST1 & ST2.

OPTIONS:
Plate designs - ST4
Seating/Collars - ST6:010

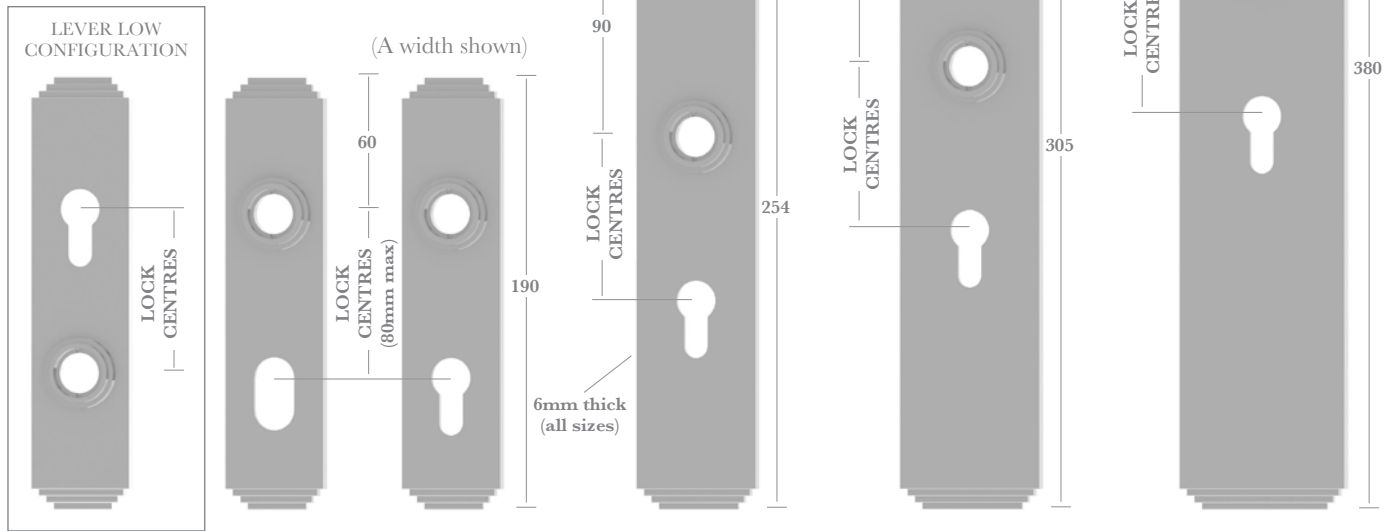


Plate Length	190mm	254mm	305mm	380mm
Oval Cylinder [†]	--14	--24	--34	--44
Euro Cylinder	--15	--25	--35	--45

[†] cutout for standard 32 x 18mm oval cylinder (larger cutouts available upon request)

All Plate Lengths are available in the following widths:

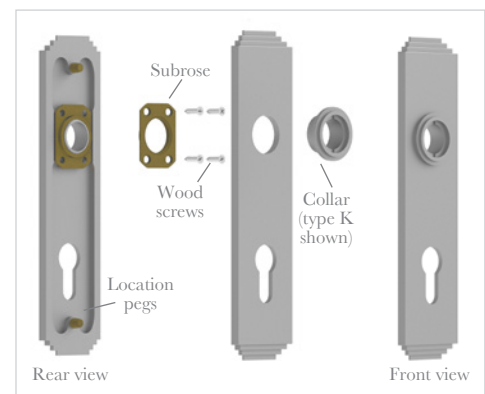
Plate Width	38mm	44mm	54mm	64mm	76mm
Code	AA*	A	B	C	D

* Availability dependent on Backplate design - see section ST4 for details

Fixings

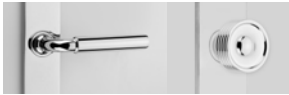
Supplied with subroses, no.4 x 13mm wood screws, alignment collars and installation instructions.

Fix Dead Plates are supplied with 7813 mounts in place of standard subroses - see page ST6:080 for details.



Backplates - Privacy - Face Fixed

68 Series Plates with type G seating, T55 Turn & R21 Cover illustrated.



Face Fixed Plates can be supplied with Allart Select Levers or Knobs attached (circlip fixed).

OPTIONS:
 Plate designs - ST4
 Seating/Collars - ST6:010
 Thumb Turns - ST6:020 & 030
 Swing Covers/Coin Releases - ST6:040.
 Lever/Knob designs - ST1 & ST2

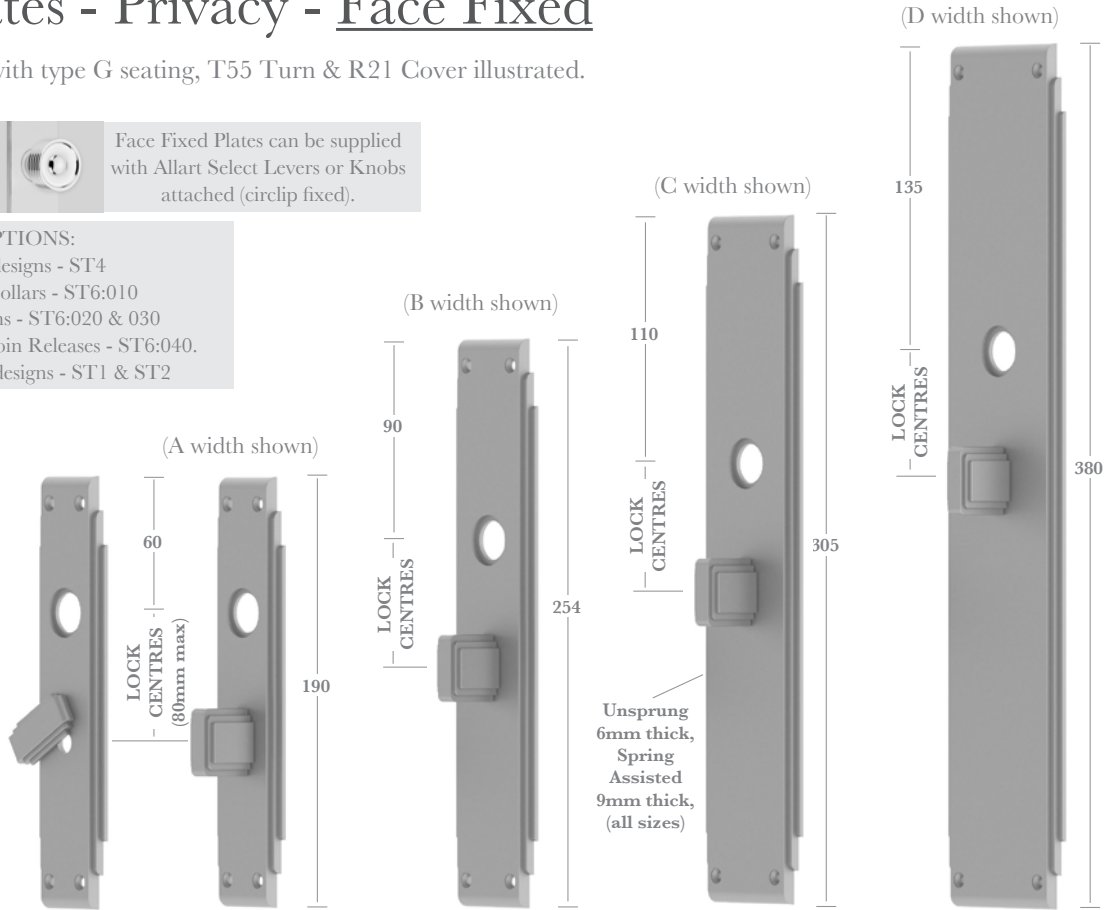


Plate Length	190mm	254mm	305mm	380mm
Length & Function Code	--67	--77	--87	--97

All Plate Lengths are available in the following widths:

Plate Width	38mm	44mm	54mm	64mm	76mm
Code	AA*	A	B	C	D

Fixings

Supplied with finish matched no.6 wood screws, alignment collars and installation instructions. An 8mm x 110mm Stainless Steel Lockpoint Spindle and grub screws are supplied when Lever/Knob attached. Spring Assisted Sets supplied with a 125mm spindle to suit doors up to 76mm thick.

Backplates - Privacy - Concealed Fix

60 Series Plates with type L collar, T51 Turn, R17 Cover illustrated.

Concealed Fix Plates cannot be supplied with Levers or Knobs attached. Door Levers & Knobs are ordered separately - see sections ST1 & ST2.

OPTIONS:

- Plate designs - ST4
- Seating/Collars - ST6:010
- Thumb Turns - ST6:020 & 030
- Swing Covers/Coin Releases - ST6:040.

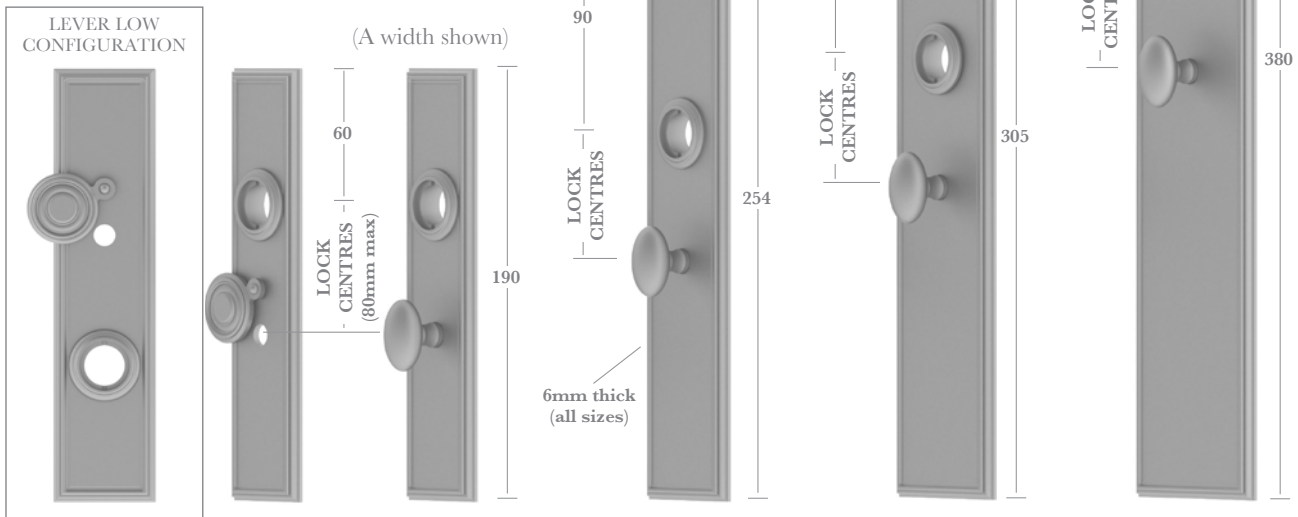


Plate Length	190mm	254mm	305mm	380mm
Length & Function Code	--17	--27	--37	--47

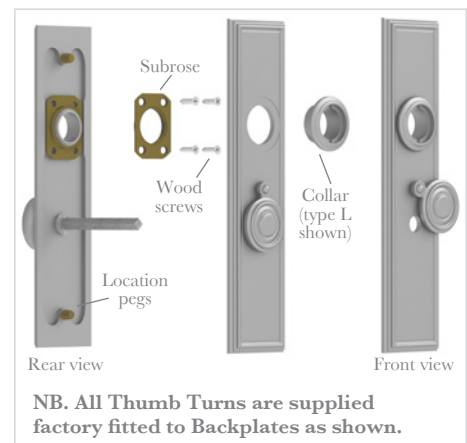
All Plate Lengths are available in the following widths:

Plate Width	38mm	44mm	54mm	64mm	76mm
Code	AA*	A	B	C	D

* Availability dependent on Backplate design - see section ST4 for details

Fixings

Supplied with subroses, no.4 x 13mm wood screws, alignment collars and installation instructions.

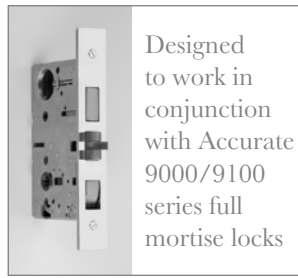


Backplates - Accurate Mortise Locks - Face Fixed

49 Series Plates with type G seating, T67 Turn & C01 Cylinder option illustrated



Face Fixed Exterior Door Set Plates can be supplied with Allart Select Levers or Knobs attached (circlip fixed).



Designed to work in conjunction with Accurate 9000/9100 series full mortise locks

OPTIONS:
 Plate designs - ST4
 Seating/Collars - ST6:010
 Thumb Turns - ST6:020 & 030
 Cylinder Options - ST6:050
 Lever/Knob designs - ST1 & ST2

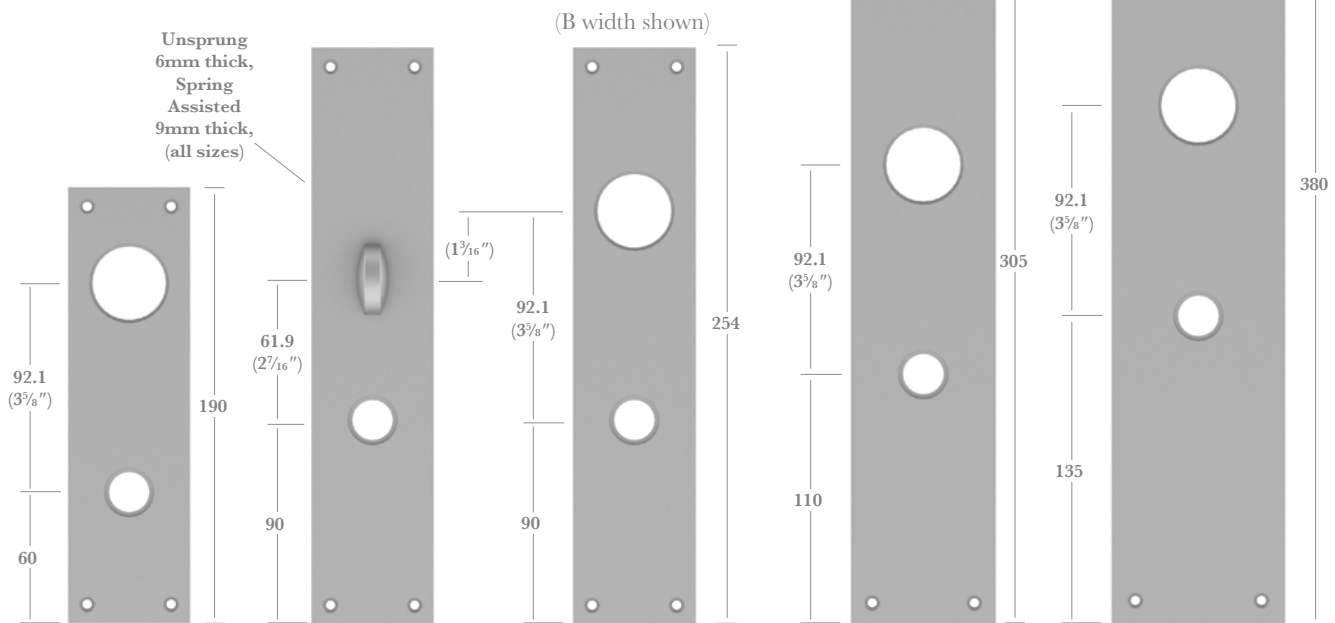


Plate Length	190mm	254mm	305mm	380mm
Code	--6	--7	--8	--9

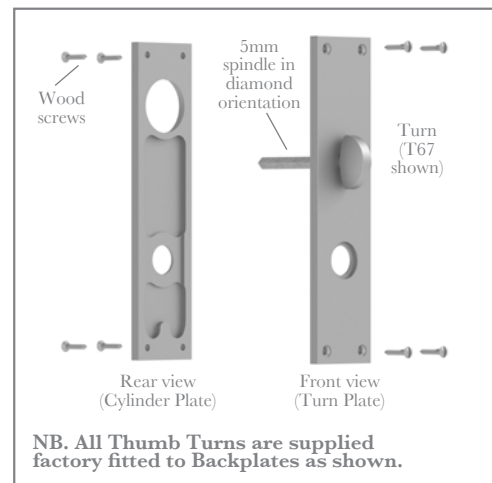
All Plate Lengths are available in the following widths:

Plate Width	44mm	54mm	64mm	76mm
Code	A*	B	C	D

* Availability dependent on Backplate design - see section ST4 for details

Fixings

Supplied with finish matched no.6 wood screws, alignment collars and installation instructions. An 8mm x 110mm Stainless Steel Lockpoint Spindle and grub screws are supplied when Lever/Knob attached. Spring Assisted Sets supplied with an 8mm x 125mm stainless steel lockpoint spindle with grub screws, to suit doors up to 76mm thick.



Continues overleaf >

Backplates - Accurate Mortise Locks - Face Fixed

Function	Double Cylinder	Entry	Patio	Storeroom
Code	A01 or AS01	A02 or AS02	A03 or AS03	A04 or AS04
A = 6mm thick (Unsprung) AS = 9mm thick (Spring Assisted)		(*)		(*)
Outside Plate	Cylinder	Cylinder	Plain	Cylinder
Inside Plate	Cylinder	Thumb Turn	Thumb Turn	Plain

(*) If functions 02 & 04 are required with operating inside handles & fixed dead dummy outside handles, please order two separate single plates as below. **NB. Ensure you order AS version if a 9mm thick plate is required.**

Function	Passage	Cylinder	Thumb Turn	Passage
Code	A05 or AS05	A06 or AS06	A07 or AS07	A08 or AS08
A = 6mm thick (Unsprung) AS = 9mm thick (Spring Assisted)				
Outside Plate	Plain	Cylinder	-	Plain
Inside Plate	Plain		Thumb Turn	

Backplates - Accurate Mortise Locks - Concealed Fix

87 Series Plates with type L collar, T53 Turn & C01 Cylinder option illustrated

Concealed Fix Plates cannot be supplied with Levers or Knobs attached. Door Levers & Knobs are ordered separately - see sections ST1 & ST2.

OPTIONS:
 Plate designs - ST4
 Seating/Collars - ST6:010
 Thumb Turns - ST6:020 & 030
 Cylinder Options - ST6:050

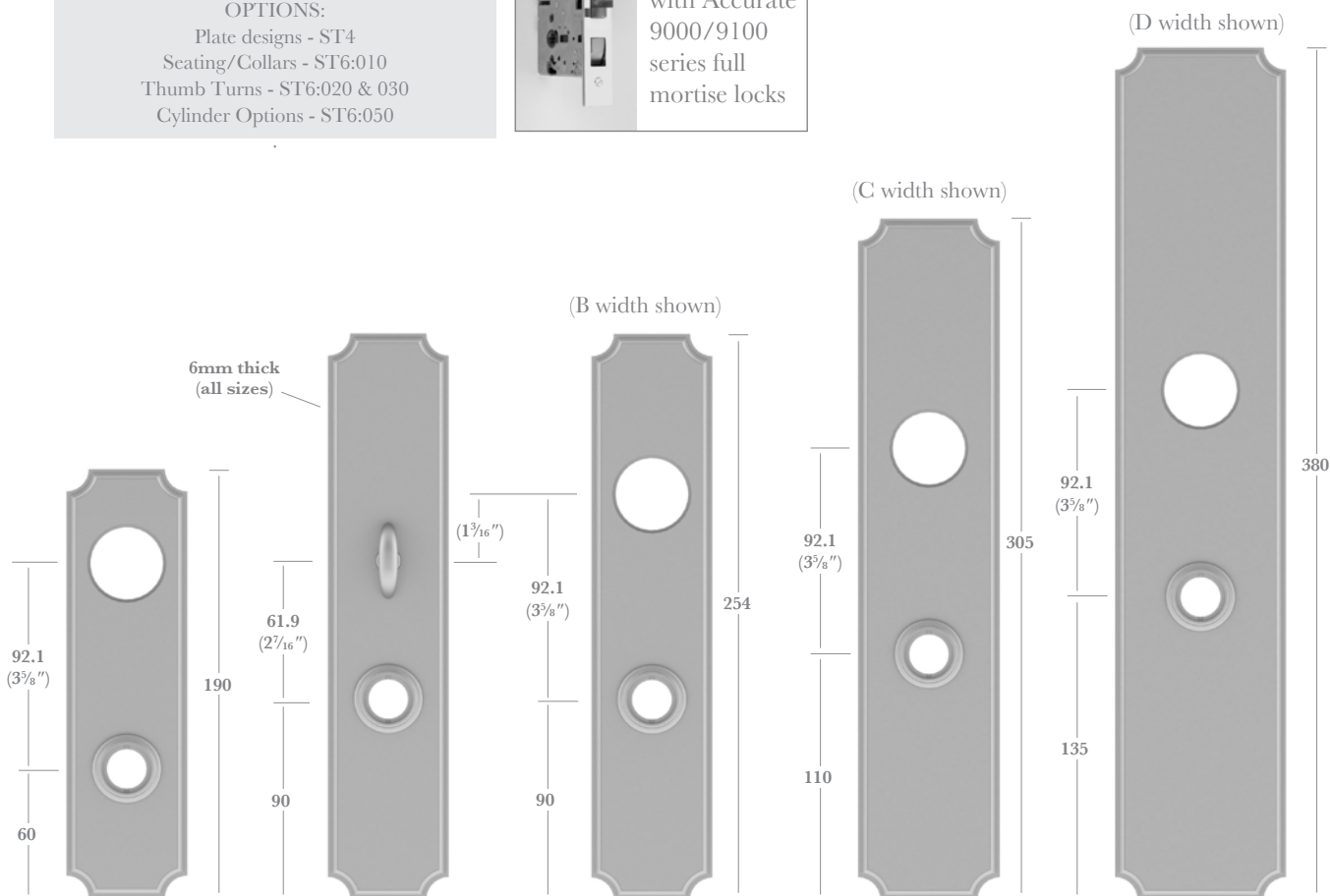


Plate Length	190mm	254mm	305mm	380mm
Code	--1	--2	--3	--4

All Plate Lengths are available in the following widths:

Plate Width	44mm	54mm	64mm	76mm
Code	A*	B	C	D

* Availability dependent on Backplate design - see section ST4 for details

Fixings

Supplied with subroses, no.4 x 13mm wood screws, alignment collars and installation instructions.

Fix Dead Plates are supplied with 7813 mounts in place of standard subroses - see page ST6:080 for details.

LEVER HIGH CONFIGURATION

Backplates can be ordered as shown and reversed for Lever High application.



Continues overleaf >

Backplates - Accurate Mortise Locks - Concealed Fix

Function	Double Cylinder	Entry	Patio	Storeroom
Code	A01	A02	A03	A04
Outside Plate	Cylinder	Cylinder	Plain	Cylinder
Inside Plate	Cylinder	Thumb Turn	Thumb Turn	Plain

Function	Passage	Cylinder	Thumb Turn	Passage
Code	A05	A06	A07	A08
Outside Plate	Plain	Cylinder	-	Plain
Inside Plate	Plain		Thumb Turn	

Backplates - Accurate Mortise Locks - Blind Bolt Fixed

67 Series Plates with type G seating, T73 Turn & C01 Cylinder option illustrated



Blind Bolt Fixed Exterior Door Set Plates can be supplied with Allart Select Levers or Knobs attached (circlip fixed).



Designed to work in conjunction with Accurate 9000/9100 series full mortise locks

OPTIONS:
 Plate designs - ST4
 Seating/Collars - ST6:010
 Thumb Turns - ST6:020 & 030
 Cylinder Options - ST6:050
 Lever/Knob designs - ST1 & ST2

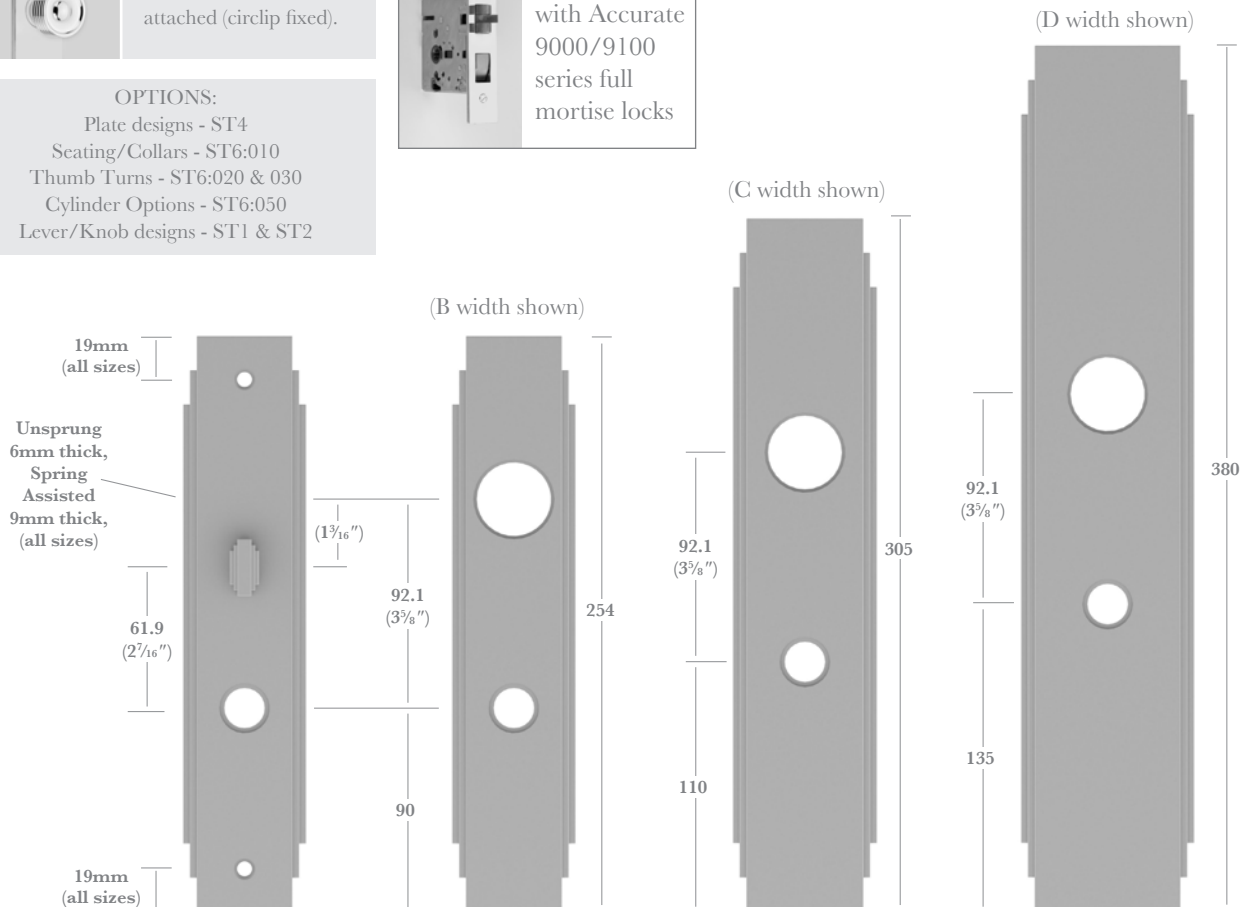


Plate Length	254mm	305mm	380mm
Code	--7	--8	--9

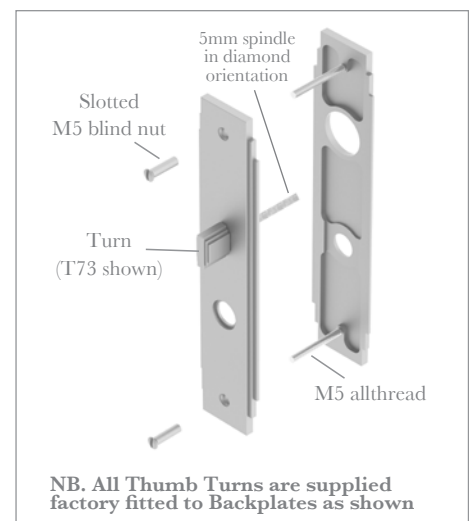
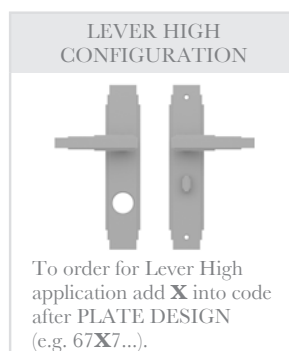
All Plate Lengths are available in the following widths:

Plate Width	44mm	54mm	64mm	76mm
Code	A*	B	C	D

* Availability dependent on Backplate design - see section ST4 for details

Fixings

Supplied with M5 x 25mm finish matched slotted blind nuts and M5 allthreads, alignment collars and installation instructions. An 8mm x 110mm stainless steel Lockpoint Spindle and grub screws are supplied when Lever/Knob attached, to suit doors up to 64mm thick (longer spindles available - see ST6:080). Spring Assisted Sets supplied with an 8mm x 125mm stainless steel lockpoint spindle with grub screws, to suit doors up to 76mm thick.



Continues overleaf >

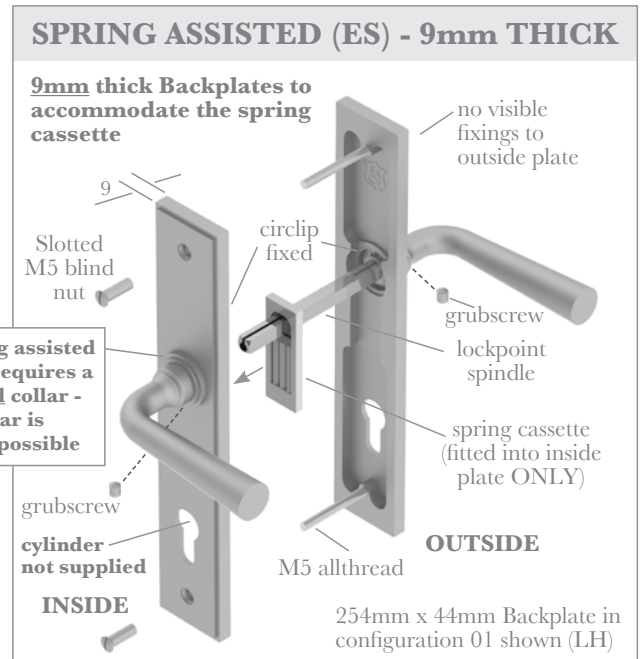
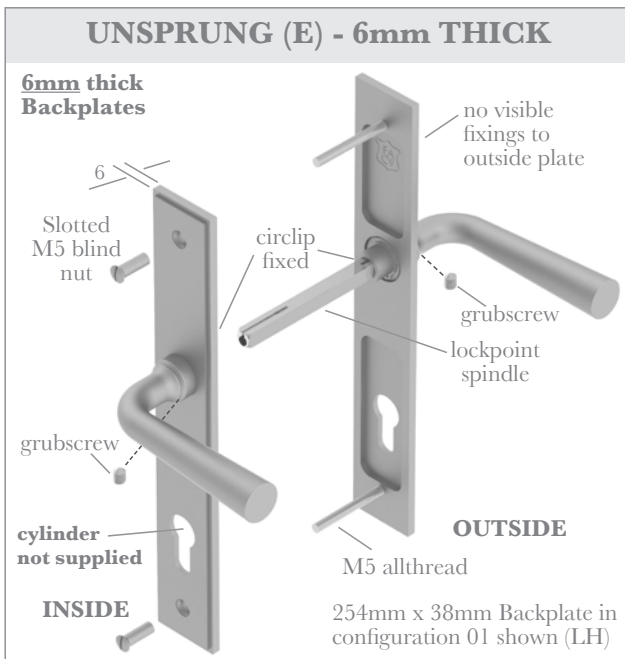
Backplates - Accurate Mortise Locks - Blind Bolt Fixed

Function	Double Cylinder	Entry	Patio	Storeroom	Passage
Code	A11 or AS11	A12 or AS12	A13 or AS13	A14 or AS14	A15 or AS15
A = 6mm thick (Unsprung) AS = 9mm thick (Spring Assisted)		(*)	(*)	(*)	(*)
Outside Plate	Cylinder	Cylinder	Plain	Cylinder	Plain
Inside Plate	Cylinder	Thumb Turn	Thumb Turn	Plain	Plain

(*) If functions are required with operating inside handles & fixed dead dummy outside handles, please order two separate single plates as below. **NB. Ensure you order AS version if a 9mm thick plate is required.**

Function	Cylinder	Cylinder	Thumb Turn	Passage	Passage
Code	A16 or AS16	A17 or AS17	A18 or AS18	A19 or AS19	A20 or AS20
A = 6mm thick (Unsprung) AS = 9mm thick (Spring Assisted)					
Outside Plate	Cylinder	-	-	Plain	-
Inside Plate	-	Cylinder	Thumb Turn	-	Plain

Multipoint Sets - Euro Profile Locks



OPTIONS:
 Plate designs - ST4
 Seating/Collars - ST6:010
 Lever designs - ST1

6mm thick - Code E
 9mm thick - Code ES

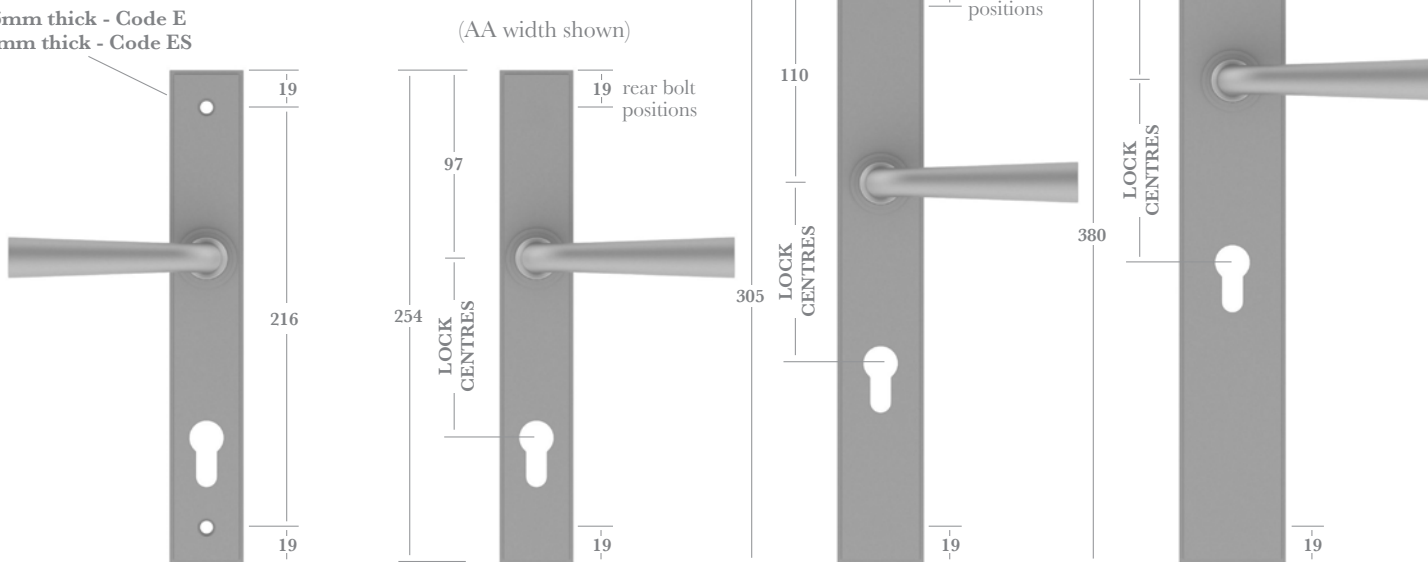


Plate Length	254mm	305mm	380mm
Code	--7	--8	--9

Plate Width	27mm	32mm	38mm	44mm	54mm	64mm
Code	AC*	AB*	AA*	A	B	C

*Availability dependent on Backplate design - see section ST4 for details.

Continues overleaf >

Multipoint Sets - Euro Profile Locks (continued)

Function Code	E01 or ES01	E02 or ES02	E03 or ES03	E04 or ES04	E05 or ES05
E = 6mm thick (Unsprung)					
ES = 9mm thick (Spring Assisted)					
Outside Plate	Lever & Euro Cutout	Lever only (*)	Blank	Lever only (*)	Blank
Inside Plate	Lever & Euro Cutout	Lever & Euro Cutout	Lever & Euro Cutout	Lever only	Lever only

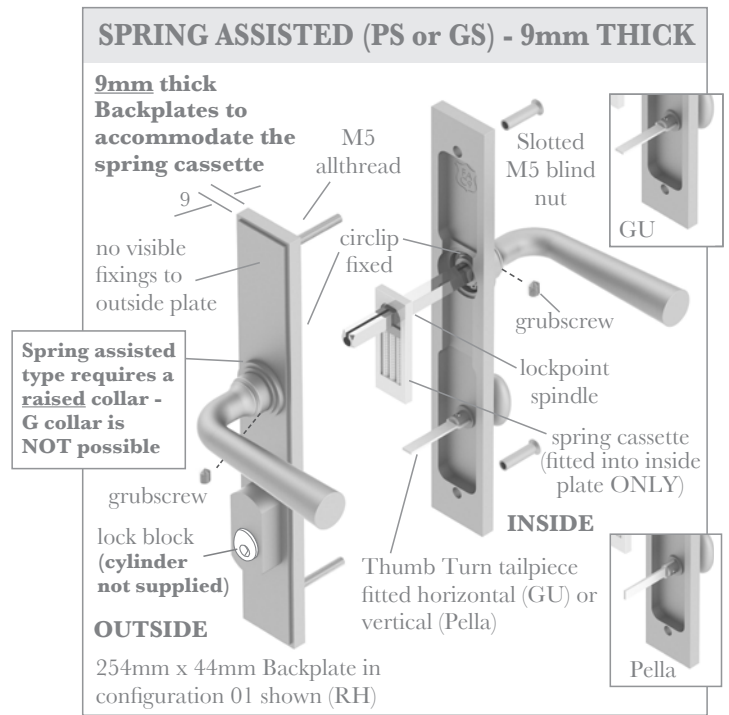
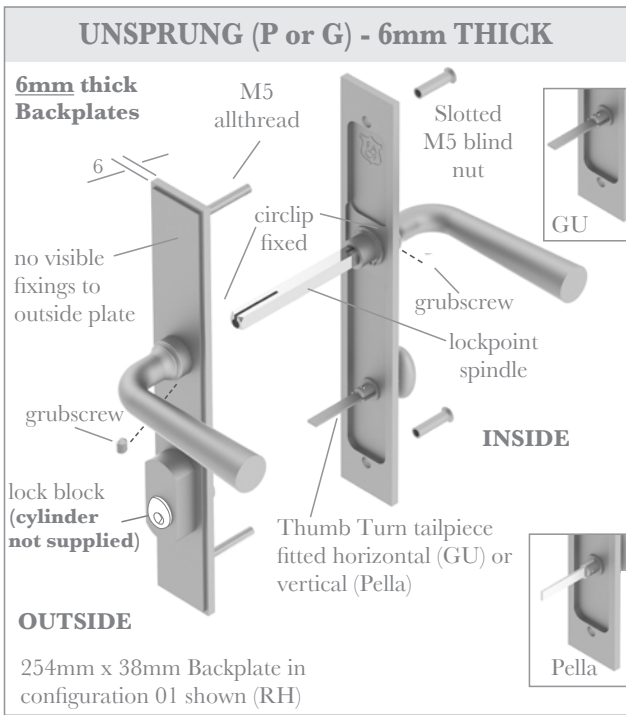
(*) If functions 02 & 04 are required with operating inside handles & fixed dead dummy outside handles, please order two separate single plates as below. **NB. Ensure you order ES version if a 9mm thick plate is required.**

Function Code	E06 or ES06	E07 or ES07	E08 or ES08	E09 or ES09	E10 or ES10	E11 or ES11	E12 or ES12	E13 or ES13
E = 6mm thick (Unsprung)								
ES = 9mm thick (Spring Assisted)								
Outside Plate	-	-	Lever & Euro Cutout	Lever only	Blank	Euro Cutout	-	-
Inside Plate	Lever & Euro Cutout	Lever only	-	-	-	-	Blank	Euro Cutout

Fixings

Supplied with M5 x 25mm finish matched slotted blind nuts and M5 allthreads. Unsprung Sets supplied with an 8mm x 110mm stainless steel lockpoint spindle with grub screws, to suit doors up to 64mm thick. Spring Assisted Sets supplied with an 8mm x 125mm stainless steel lockpoint spindle with grub screws, to suit doors up to 76mm thick.

Multipoint Sets - Pella & GU Locks



OPTIONS:
 Plate designs - ST4
 Seating/Collars - ST6:010
 Thumb Turns - ST6:020 & 030
 Lever designs - ST1

6mm thick - Code P or G
 9mm thick - Code PS or GS

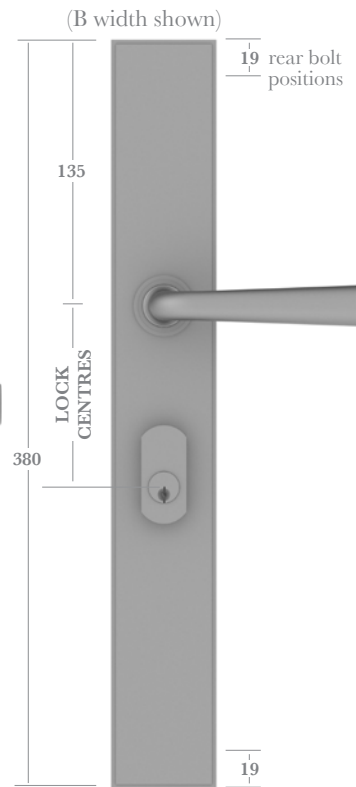
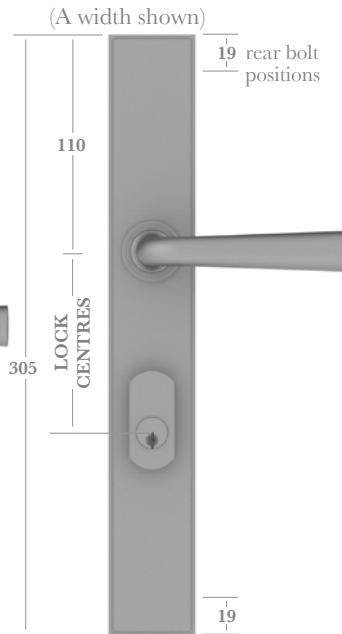
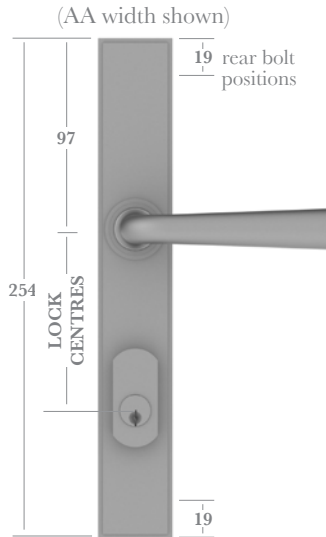
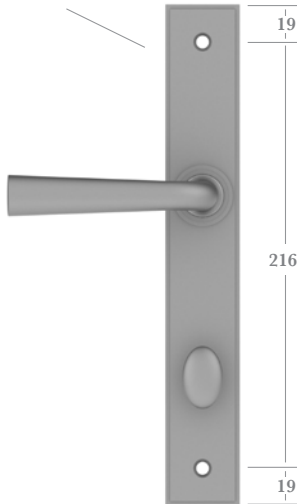


Plate Length	254mm	305mm	380mm
Code	--7	--8	--9

Plate Width	27mm	32mm	38mm	44mm	54mm	64mm
Code	AC*	AB*	AA*	A	B	C

*Availability dependent on Backplate design - see section ST4 for details.

Continues overleaf >

Multipoint Sets - Pella & GU Locks (continued)

Pella	P01 or PS01	P02 or PS02	P03 or PS03	P04 or PS04	P05 or PS05
GU	G01 or GS01	G02 or GS02	G03 or GS03	G04 or GS04	G05 or GS05
Function Codes P / G = 6mm thick (Unsprung) PS / GS = 9mm thick (Spring Assisted)					
Outside Plate	Lever & Lock Block	Lever only (*)	Blank	Lever only (*)	Blank
Inside Plate	Lever & Thumb Turn	Lever & Thumb Turn	Lever & Thumb Turn	Lever only	Lever only

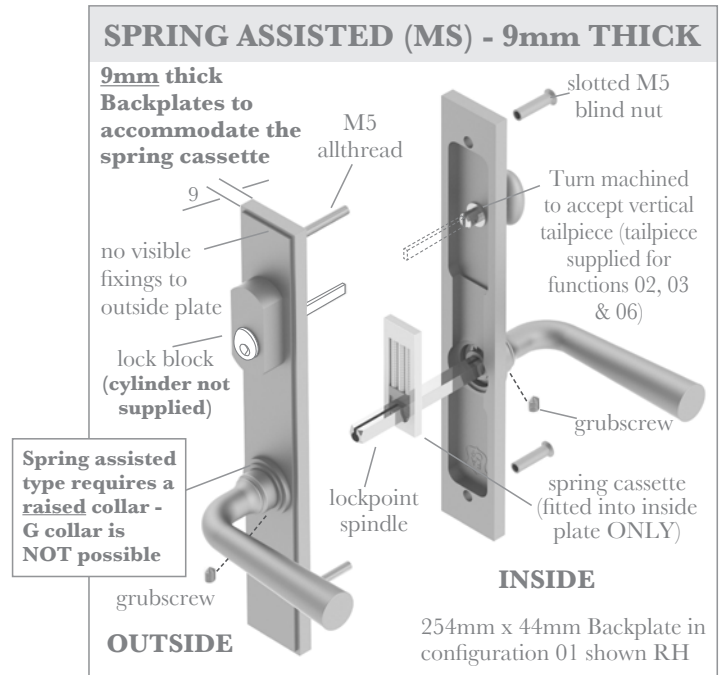
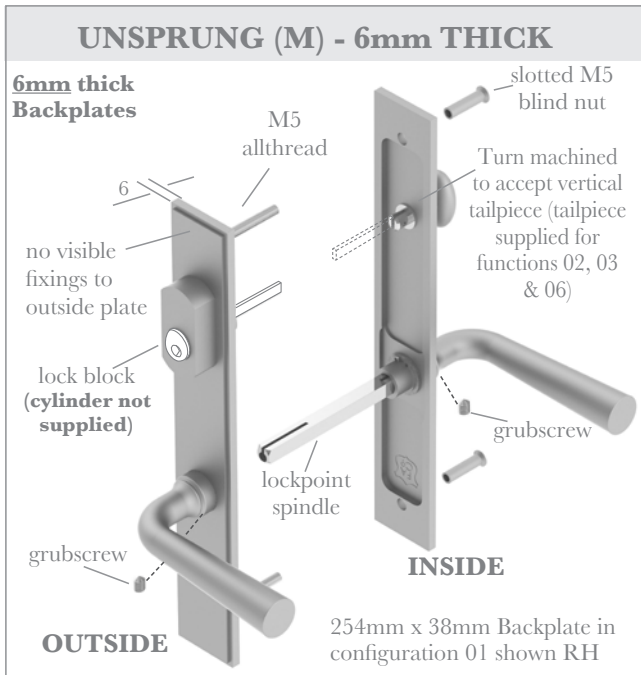
(*) If functions 02 & 04 are required with operating inside handles & fixed dead dummy outside handles, please order two separate single plates as below. **NB. Ensure you order PS or GS version if a 9mm thick plate is required.**

Pella	P06 or PS06	P07 or PS07	P08 or PS08	P09 or PS09	P10 or PS10	P11 or PS11
GU	G06 or GS06	G07 or GS07	G08 or GS08	G09 or GS09	G10 or GS10	G11 or GS11
Function Codes P / G = 6mm thick (Unsprung) PS / GS = 9mm thick (Spring Assisted)						
Outside Plate	-	-	Lever & Lock Block	Lever only	Blank	Lock Block
Inside Plate	Lever & Thumb Turn	Lever only	-	-	-	-

Fixings

Supplied with M5 x 25mm finish matched slotted blind nuts and M5 allthreads. Unsprung Sets supplied with an 8mm x 110mm stainless steel lockpoint spindle with grub screws, to suit doors up to 64mm thick. Spring assisted sets supplied with an 8mm x 125mm stainless steel lockpoint spindle with grub screws, to suit doors up to 76mm thick.

Multipoint Sets - Marvin Lock (not suitable for Marvin Integrity series)



OPTIONS:
 Plate designs - ST4
 Seating/Collars - ST6:010
 Thumb Turns - ST6:020 & 030
 Lever designs - ST1

6mm thick - Code M
 9mm thick - Code MS

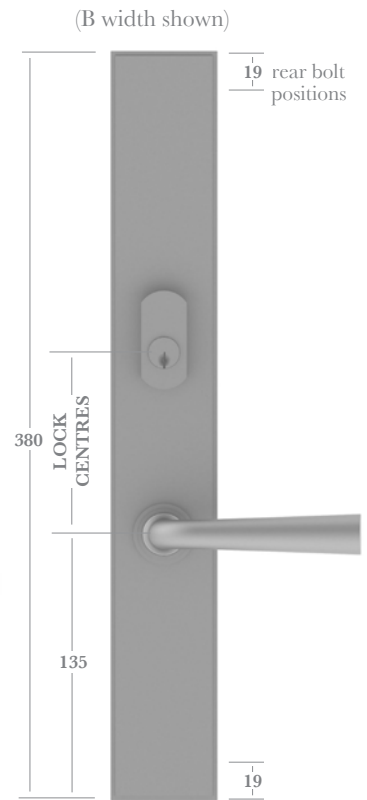
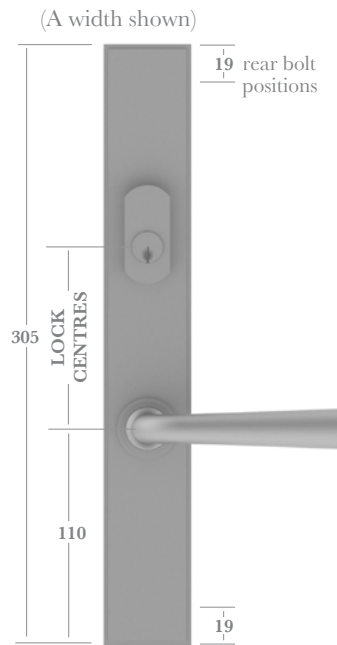
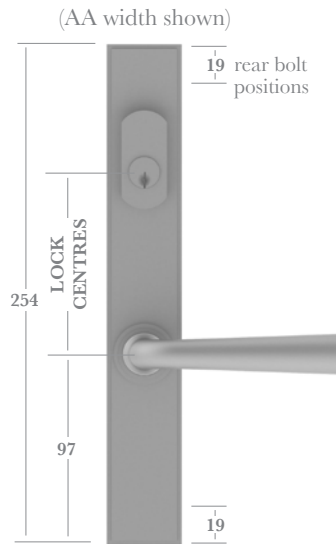
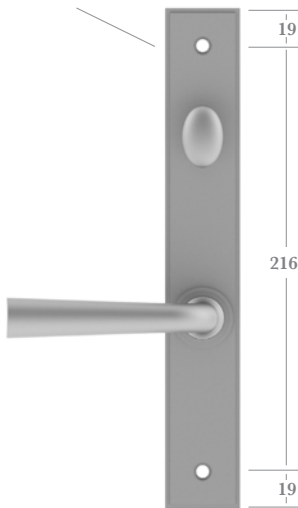


Plate Length	254mm	305mm	380mm
Code	--7	--8	--9

Plate Width	27mm	32mm	38mm	44mm	54mm	64mm
Code	AC*	AB*	AA*	A	B	C

*Availability dependent on Backplate design - see section ST4 for details.

Continues overleaf >

Multipoint Sets - Marvin Lock (continued)

Function Code	M01 or MS01	M02 or MS02	M03 or MS03	M04 or MS04	M05 or MS05
M = 6mm thick (Unsprung)		(*)		(*)	
MS = 9mm thick (Spring Assisted)					
Outside Plate	Lever & Lock Block	Lever only (*)	Blank	Lever only (*)	Blank
Inside Plate	Lever & Thumb Turn	Lever & Thumb Turn	Lever & Thumb Turn	Lever only	Lever only

(*) If functions 02 & 04 are required with operating inside handles & fixed dead dummy outside handles, please order two separate single plates as below. **NB. Ensure you order MS version if a 9mm thick plate is required.**

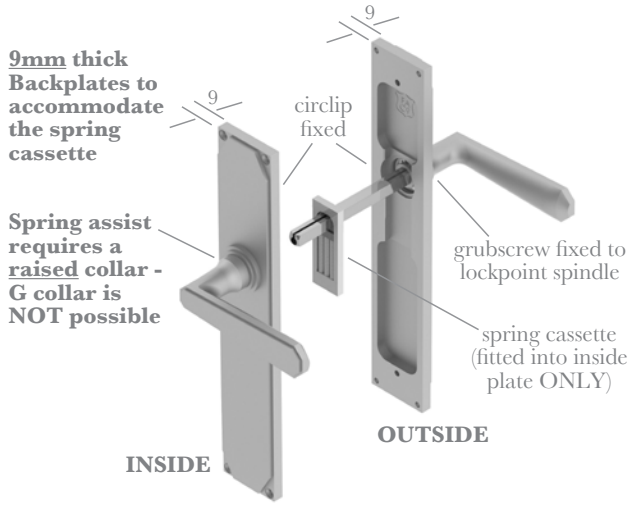
Function Code	M06 or MS06	M07 or MS07	M08 or MS08	M09 or MS09	M10 or MS10	M11 or MS11
M = 6mm thick (Unsprung)						
MS = 9mm thick (Spring Assisted)						
Outside Plate	-	-	Lever & Lock Block	Lever only	Blank	Lock Block
Inside Plate	Lever & Thumb Turn	Lever only	-	-	-	-

Fixings

Supplied with M5 x 25mm finish matched slotted blind nuts and M5 allthreads. Unsprung Sets supplied with an 8mm x 110mm stainless steel lockpoint spindle with grub screws, to suit doors up to 64mm thick. Spring assisted sets supplied with an 8mm x 125mm stainless steel lockpoint spindle with grub screws, to suit doors up to 76mm thick.

Spring Assisted Backplates

- Available on Face Fix and Bolt Fix Backplates only, and only where the Levers or Knobs are fitted to the Backplates (circlip fixed).
- Not available on Concealed Fix Backplates.
- Thickness of the Backplate is 9mm in all cases to accommodate the Spring Cassette, which is fitted into the inside plate only.
- Spring Assisted Backplates require a raised collar - G type flush collar is NOT possible.



▲ **Latch (Passage)** - see page ST5:010



▲ **Keyhole** - see page ST5:030



▲ **Profile Cylinders** - see page ST5:050



▲ **Privacy** - see page ST5:070



▲ **Accurate US Entry Face Fixed** - see page ST5:090



▲ **Accurate US Entry Bolt Fixed** - see page ST5:130